



Pro-Turn EV

Parts Manual

Models:

997001 – Pro-Turn EV 60 SD
(SN 000101+)

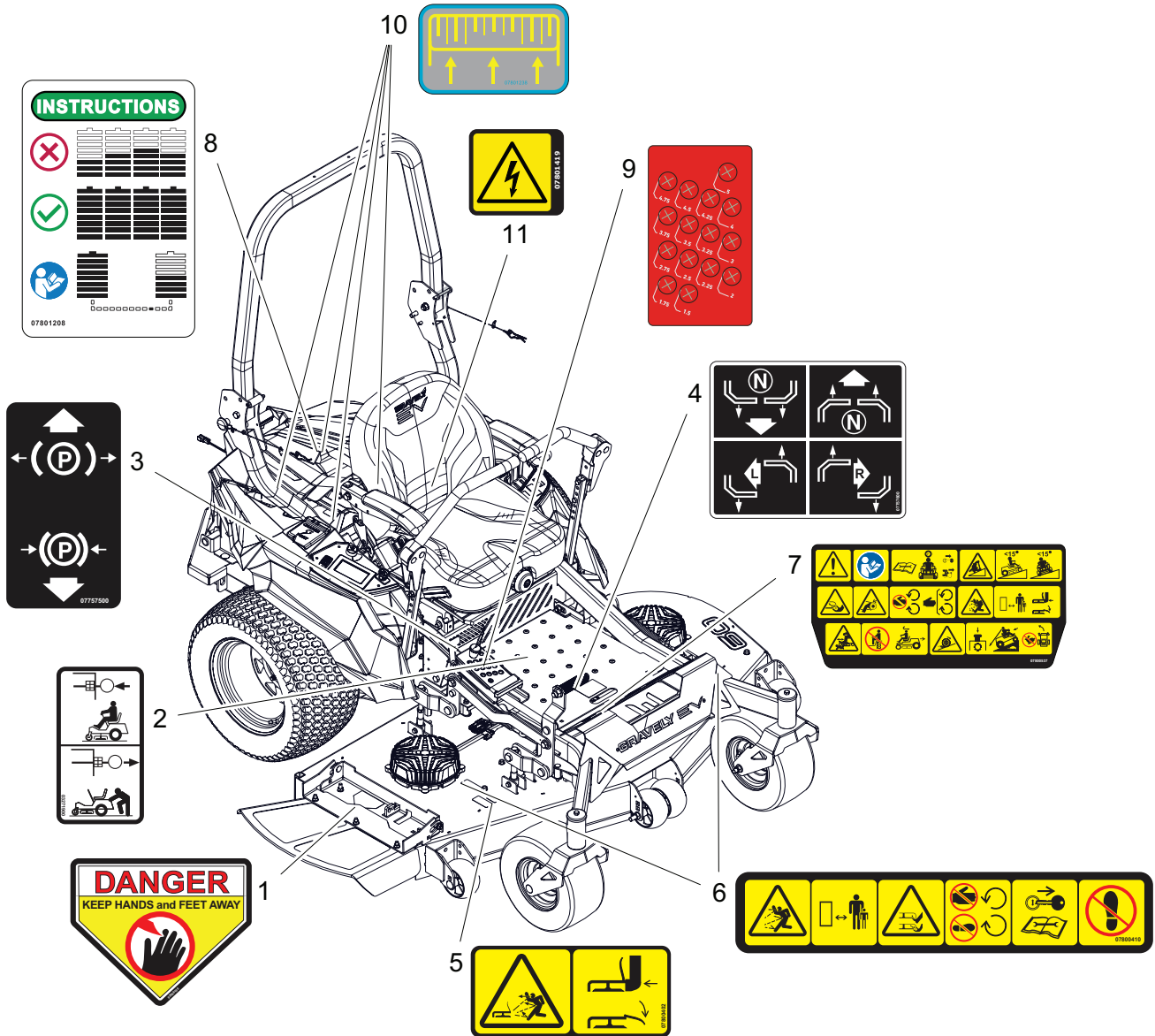
997002 – Pro-Turn EV 60 RD
(SN 000101+)

TABLE OF CONTENTS

Decals – Safety – SD	3
Decals – Safety – RD	4
Decals – Style.....	5
Frame – SD	6
Frame – RD	7
Steering Controls.....	8
Brake Controls.....	9
Hood and Batteries.....	10
Battery Hold Down and Latch Assembly	11
Battery Hold Down and Latch Assembly (Continued)	12
Fenders and Bumper.....	13
Deck Lift – LH.....	14
Deck Lift – RH	15
Seat	16
Wheel Motors and Brake Release.....	17
Wheels.....	18
ROPS	19
Control Panels.....	20
Electrical – SD.....	21
Electrical – RD.....	22
Power Cord, Battery Charger, and EMI Filter.....	23
Wiring Diagram.....	24
Deck, Blades and Spindle Motors – SD	25
Deck, Blades and Spindle Motors – RD	26
Anti-Scalp Wheels – SD	27
Anti-Scalp Wheels and Baffles – RD	28
Discharge Chute – SD.....	29
Discharge Chute – RD.....	30

DECALS – SAFETY – SD

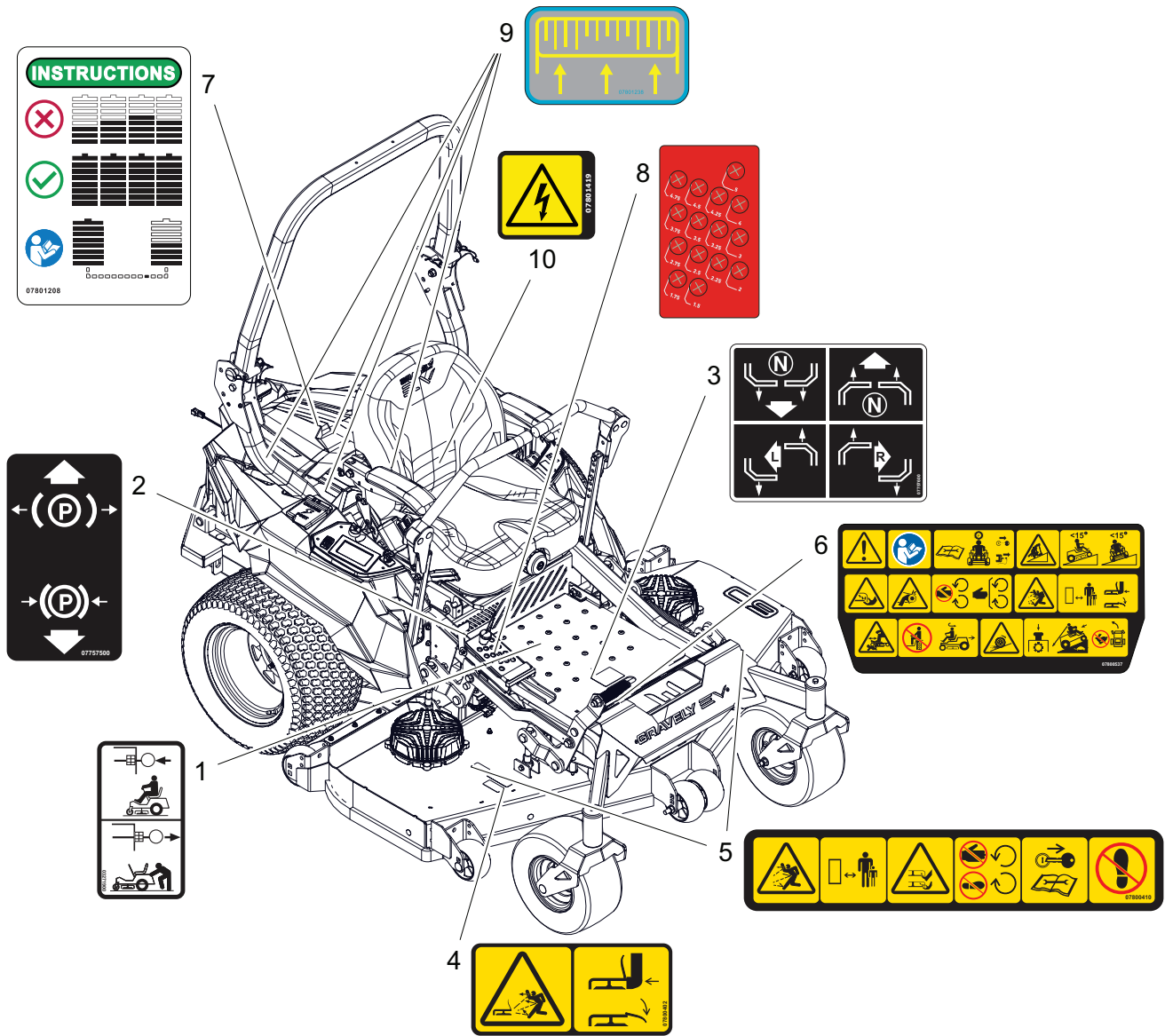
Model 997001



BOM ID	Number	Qty	Description
1	02988100	1	DECAL, DANGER
2	03271900	1	DECAL, TRANSMISSION DISCONNECT
3	07757500	1	DECAL, PARKING BRAKE LEVER
4	07757600	1	DECAL, INSTRUCTION - STEERING
5	07800402	1	DECAL, SAFETY - DECK GUARDING
6	07800410	2	DECAL, DECK SAFETY
7	07800537	1	DECAL, MAIN SAFETY
8	07801208	1	DECAL, BATTERY BALANCE
9	07801210	1	DECAL, HEIGHT OF CUT
10	07801238	4	DECAL, BATTERY INSTALL DIRECTION
11	07801419	1	DECAL, SAFETY - DANGER

DECALS – SAFETY – RD

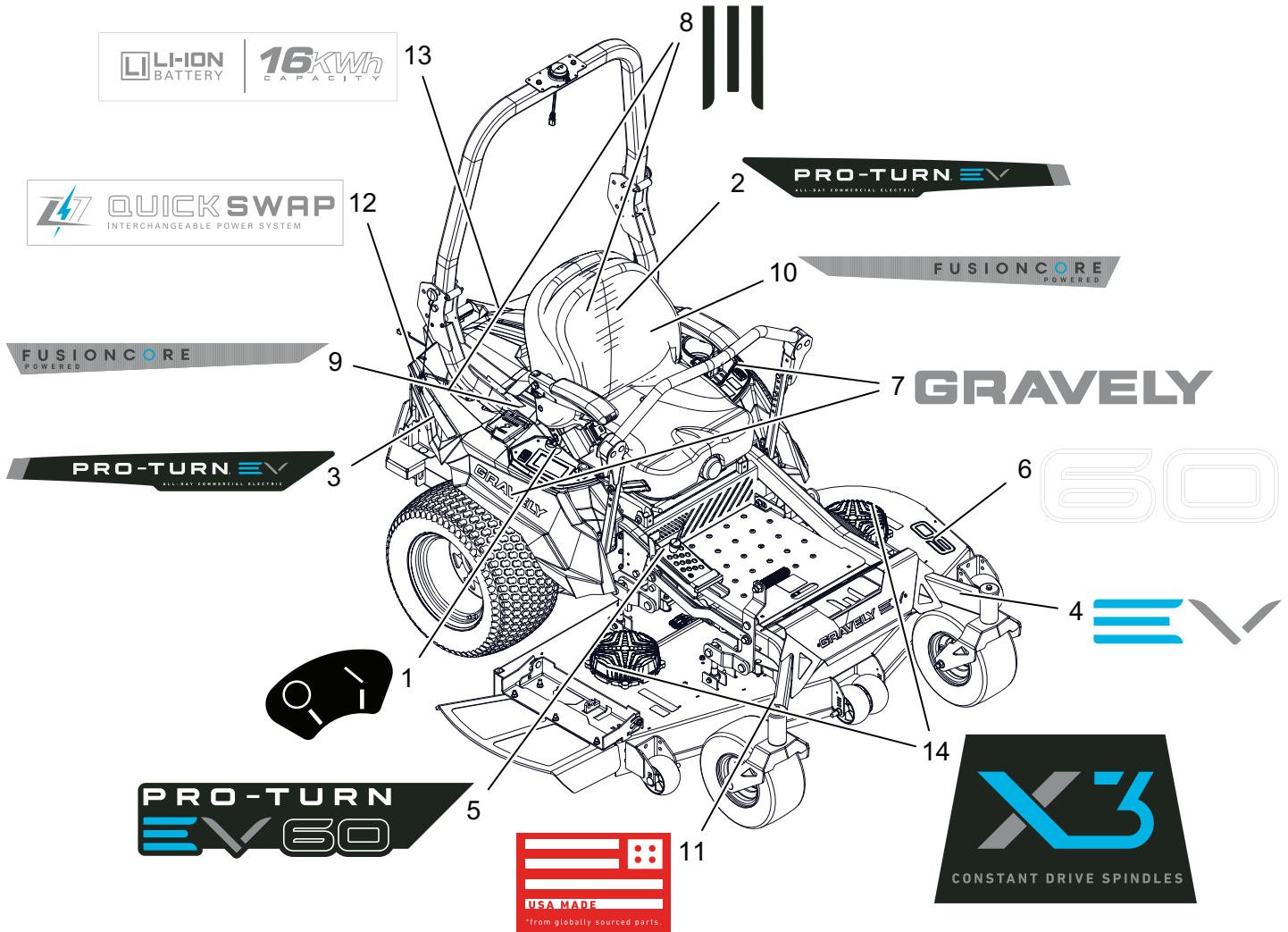
Model 997002



BOM ID	Number	Qty	Description
1	03271900	1	DECAL, TRANSMISSION DISCONNECT
2	07757500	1	DECAL, PARKING BRAKE LEVER
3	07757600	1	DECAL, INSTRUCTION - STEERING
4	07800402	1	DECAL, SAFETY - DECK GUARDING
5	07800410	2	DECAL, DECK SAFETY
6	07800537	1	DECAL, MAIN SAFETY
7	07801208	1	DECAL, BATTERY BALANCE
8	07801210	1	DECAL, HEIGHT OF CUT
9	07801238	4	DECAL, BATTERY INSTALL DIRECTION
10	07801419	1	DECAL, SAFETY - DANGER

DECALS – STYLE

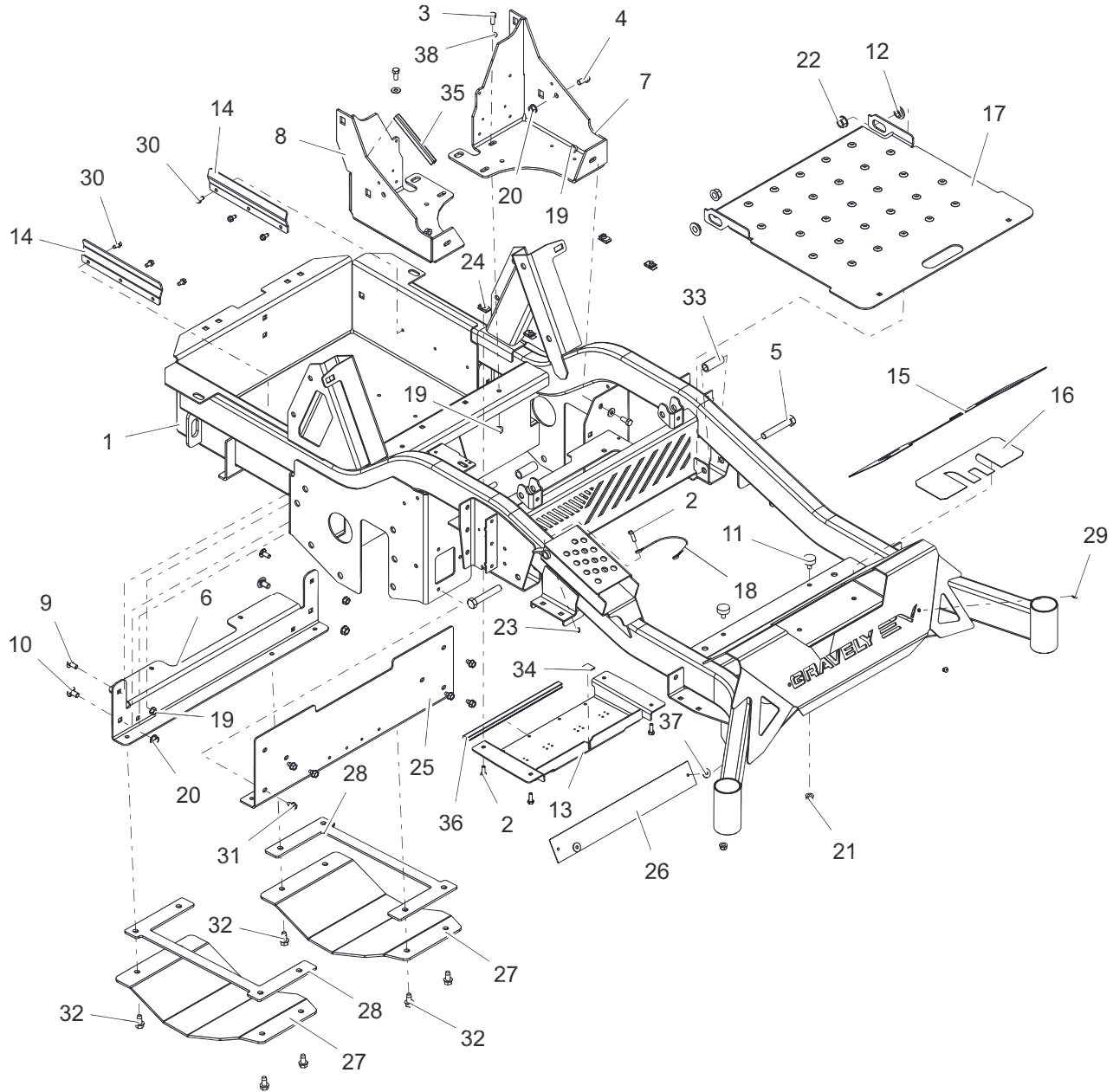
Model All



BOM ID	Number	Qty	Description
1	07801101	1	DECAL, KEY SWITCH - 2 POS
2	07801133	1	DECAL, FENDER - LH
3	07801134	1	DECAL, FENDER - RH
4	07801135	1	DECAL, FRONT FORK
5	07801136	1	DECAL, KICKPLATE
6	07801137	1	DECAL, DECK - 60"
7	07801138	2	DECAL, GRAVELY LOGO
8	07801140	2	DECAL, STRIPE
9	07801201	1	DECAL, FUSION CORE - LEFT
10	07801202	1	DECAL, FUSION CORE - RIGHT
11	07801203	1	DECAL, USA MADE
12	07801204	1	DECAL, QUICK SWAP - HATCH
13	07801205	1	DECAL, LI-ION - HATCH
14	07801209	2	DECAL, DECK MOTOR

FRAME – SD

Model 997001

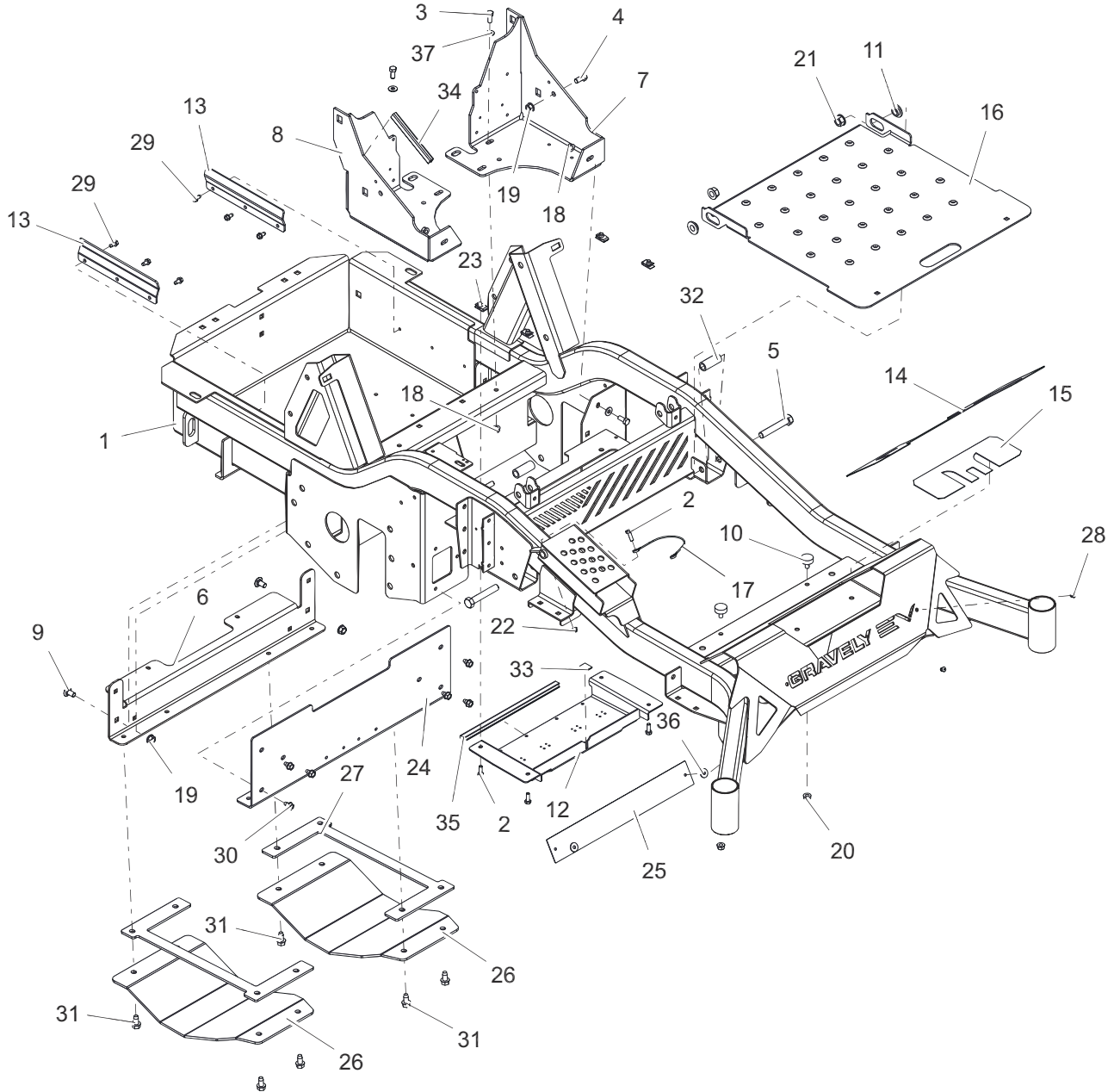


BOM ID	Number	Qty	Description
1	59700900	1	KIT, EV FRAME W/DECALS-GRAVELLY
2	05901716	5	BLT, HEX 0.25-20X0.75 GR5 ZC120
3	05901704	4	BLT, HEX 0.3125-18X0.75 GR5 ZC120
4	05901702	1	BLT, HEX 0.375-16X0.75 GR5 ZC120
5	05901737	2	BLT, HEX 0.5-13X3 GR5 ZCC
6	09192653	1	BRKT, SKID PLATE MTG. (RED)
7	09179153	1	BRKT, SUPPORT ROPS-LH (RED)
8	09179053	1	BRKT, SUPPORT ROPS-RH (RED)
9	06200309	2	BTL,RHSSN .313-18 X 0.75 G5 ZCC
10	06200336	2	BTL,RHSSN .375-16 X 0.75 G5 ZCC
11	07533600	2	BUMPER, RUBBER
12	03989100	2	BUSHING FLANGED .515X.750X.31X1.12
13	09192553	1	COVER, BOTTOM ACCESS-OPEN (RED)
14	09439653	2	DEFLECTOR, BATTERY -EV (RED)
15	05104800	1	GRIP, FRONT
16	07801139	1	GRIP, TAPE FRONT
17	59113500	1	KIT,ACCESS PANEL W/DECALS-RED
18	06900317	1	LANYARD, 12"
19	06500840	6	NUT, FLG-CTR LK .312-18 GR5 ZCC
20	06500901	3	NUT, FLG-CTR LK .375-16 GR5 ZC120

BOM ID	Number	Qty	Description
21	06500815	2	NUT, FLG-SPNLK .312-18 GR5 ZC120
22	06500907	2	NUT, FLG-TOP LK .500-13 GF ZCC
23	06500813	1	NUT, LK-NYL-FLG .25-20 GR5 ZC120
24	07009000	4	NUT, RTNR .25-20 X .56
25	09192453	1	PLATE, FRONT FRAME (RED)
26	04718451	1	PLATE, BACK
27	09180051	2	PLATE, SKID (BLACK)
28	09180151	2	PLATE, SKID TENSION (BLACK)
29	06800120	2	RVT, POP .187x.250 AL/AL
30	07400122	6	SCR-TAP .25-20X.50 HWH ZCC
31	07400124	6	SCR-TAP .312-18X.50 HWH ZCC
32	07400129	8	SCR-TAP .38-16X.75 HWH ZCC
33	05501319	2	SPCR, .515X.75X1.83
34	07525100	1	STOP
35	00918200	1	STRIP, COWL - 5.00 LG
36	00918200	1	STRIP, COWL-11" LG.
37	06401214	2	WSHR, RBR W/ADHESIVE .25X.75X.06
38	06401124	4	WSHR-FL-STL 0.312X0.734X0.065 ZCC

FRAME - RD

Model 997002

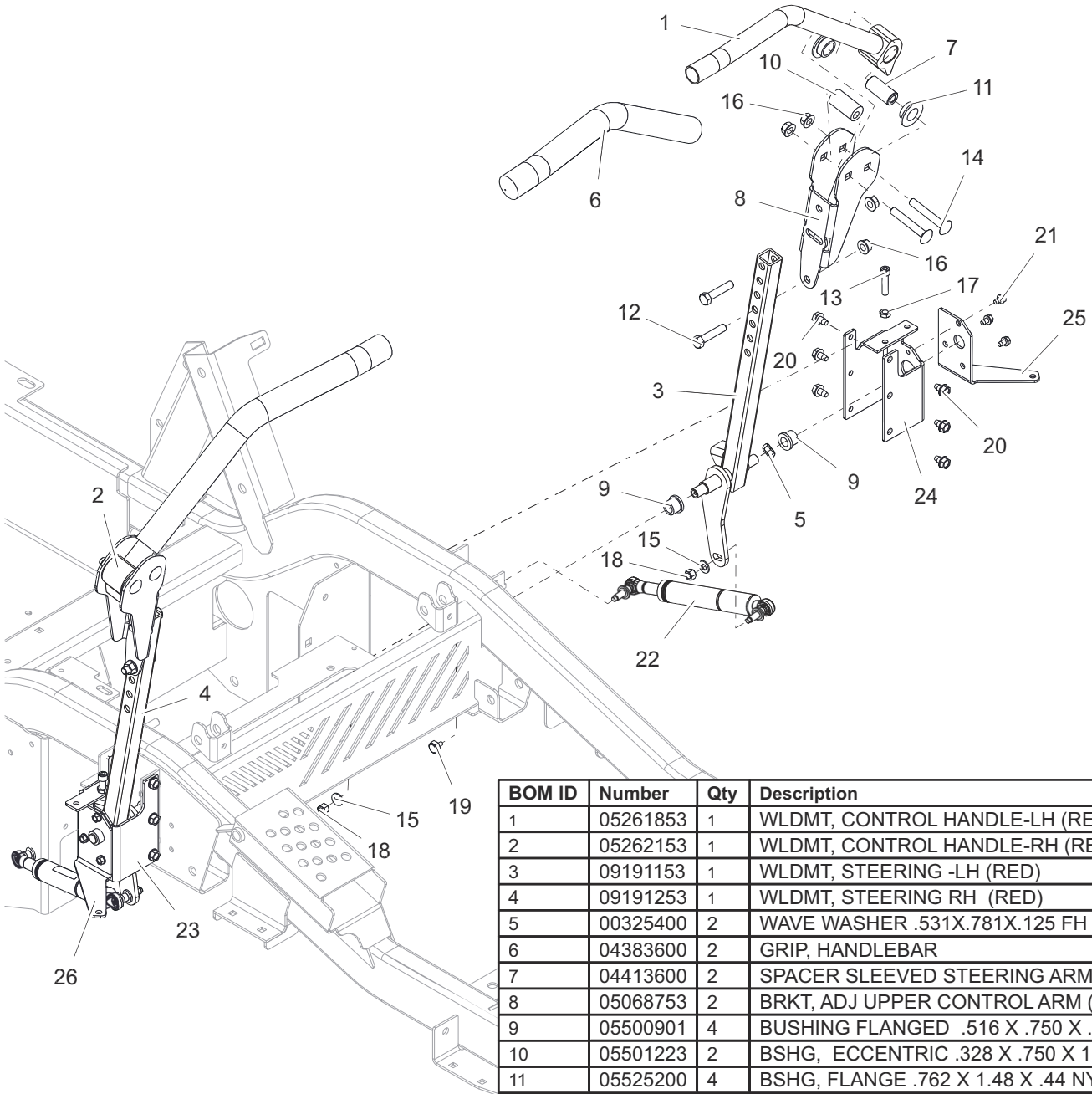


BOM ID	Number	Qty	Description
1	59700900	1	KIT, EV FRAME W/DECALS-GRAVELLY
2	05901716	5	BLT, HEX 0.25-20X0.75 GR5 ZC120
3	05901704	4	BLT, HEX 0.3125-18X0.75 GR5 ZC120
4	05901702	1	BLT, HEX 0.375-16X0.75 GR5 ZC120
5	05901737	2	BLT, HEX 0.5-13X3 GR5 ZCC
6	09192653	1	BRKT, SKID PLATE MTG. (RED)
7	09179153	1	BRKT, SUPPORT ROPS-LH (RED)
8	09179053	1	BRKT, SUPPORT ROPS-RH (RED)
9	06200336	2	BTL,RHSSN .375-16 X 0.75 G5 ZCC
10	07533600	2	BUMPER, RUBBER
11	03989100	2	BUSHING FLANGED .515X.75X0.31X1.12
12	09192553	1	COVER, BOTTOM ACCESS -OPEN (RED)
13	09439653	2	DEFLECTOR, BATTERY -EV (RED)
14	05104800	1	GRIP, FRONT
15	07801139	1	GRIP, TAPE FRONT
16	59113500	1	KIT,ACCESS PANEL W/DECALS-RED
17	06900317	1	LANYARD, 12"
18	06500840	4	NUT, FLG-CTR LK .312-18 GR5 ZCC
19	06500901	3	NUT, FLG-CTR LK .375-16 GR5 ZC120

BOM ID	Number	Qty	Description
20	06500815	2	NUT, FLG-SPNLK .312-18 GR5 ZC120
21	06500907	2	NUT, FLG-TOP LK .500-13 GF ZCC
22	06500813	1	NUT, LK-NYL-FLG .25-20 GR5 ZC120
23	07009000	4	NUT, RTNR .25-20 X .56
24	09192453	1	PLATE, FRONT FRAME (RED)
25	04718451	1	PLATE, BACK
26	09180051	2	PLATE, SKID (BLACK)
27	09180151	2	PLATE, SKID TENSION (BLACK)
28	06800120	2	RVT, POP .187x.250 AL/AL
29	07400122	6	SCR-TAP .25-20X.50 HWH ZCC
30	07400124	6	SCR-TAP .312-18X.50 HWH ZCC
31	07400129	8	SCR-TAP .38-16X.75 HWH ZCC
32	05501319	2	SPCR, .515X.75X1.83
33	07525100	1	STOP,
34	00918200	1	STRIP, COWL - 5.00 LG
35	00918200	1	STRIP, COWL-11" LG.
36	06401214	2	WSHR, RBR W/ADHESIVE .25X.75X.06
37	06401124	4	WSHR-FL-STL 0.312X0.734X0.065 ZCC

STEERING CONTROLS

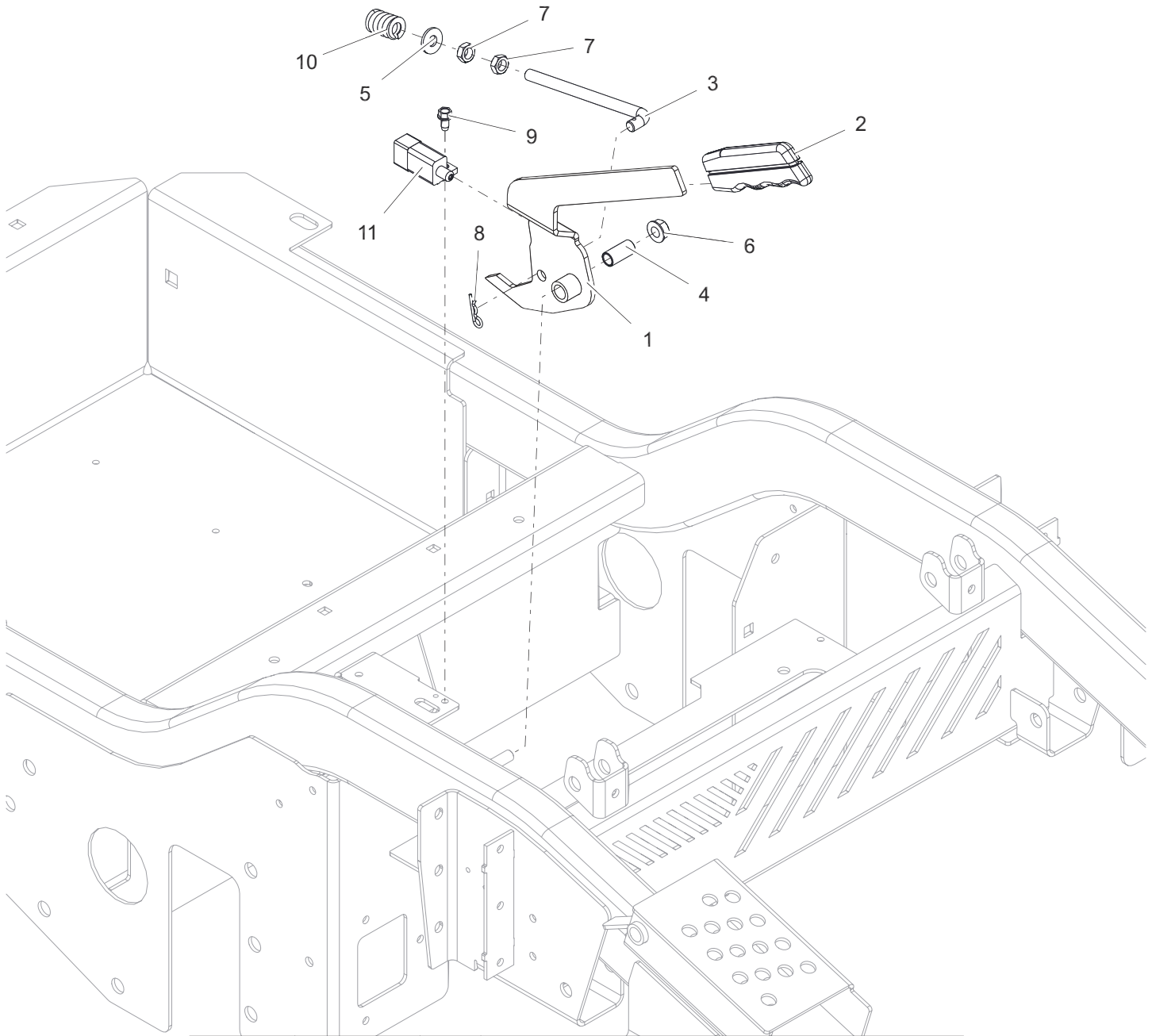
Model All



BOM ID	Number	Qty	Description
1	05261853	1	WLDMT, CONTROL HANDLE-LH (RED)
2	05262153	1	WLDMT, CONTROL HANDLE-RH (RED)
3	09191153	1	WLDMT, STEERING -LH (RED)
4	09191253	1	WLDMT, STEERING RH (RED)
5	00325400	2	WAVE WASHER .531X.781X.125 FH
6	04383600	2	GRIP, HANDLEBAR
7	04413600	2	SPACER SLEEVED STEERING ARM
8	05068753	2	BRKT, ADJ UPPER CONTROL ARM (RED)
9	05500901	4	BUSHING FLANGED .516 X .750 X .625 X .937
10	05501223	2	BSHG, ECCENTRIC .328 X .750 X 1.625
11	05525200	4	BSHG, FLANGE .762 X 1.48 X .44 NYLON
12	05901809	4	BLT, HEX 0.375-16X1.75 GR5 ZCC
13	05901826	2	SCR, SKH .312-18X1.25 GR8 ZC120
14	06200315	4	BTL,RHSSN .375-16 X 2.5 G5 ZCC
15	06401113	4	WSHR, HRDN 0.344X0.688X0.065
16	06500822	8	NUT, FLG-TOP LK .375-16 GRF ZC120
17	06500909	2	NUT, JAM .312-18 GR5 ZCC
18	06500919	4	NUT, HEX-TOP LK M8-1.25 ZCC
19	07001914	2	BOLT, MAGNETIC STEERING SENSOR
20	07400124	12	SCR-TAP .312-18X.50 HWH ZCC
21	07400125	6	SCR-TAP .25-20X.38 HWH ZCC
22	09175600	2	DAMPER, NEUTRALIZING
23	09178353	1	BRKT, STEERING ARM MOUNTING-RH (RED)
24	09178453	1	BRKT, STEERING MOUNTING -LH (RED)
25	09198651	1	BRKT, FRONT FENDER MOUNT-LH (BLACK)
26	09198751	1	BRKT, FRONT FENDER MOUNT-RH (BLACK)

BRAKE CONTROLS

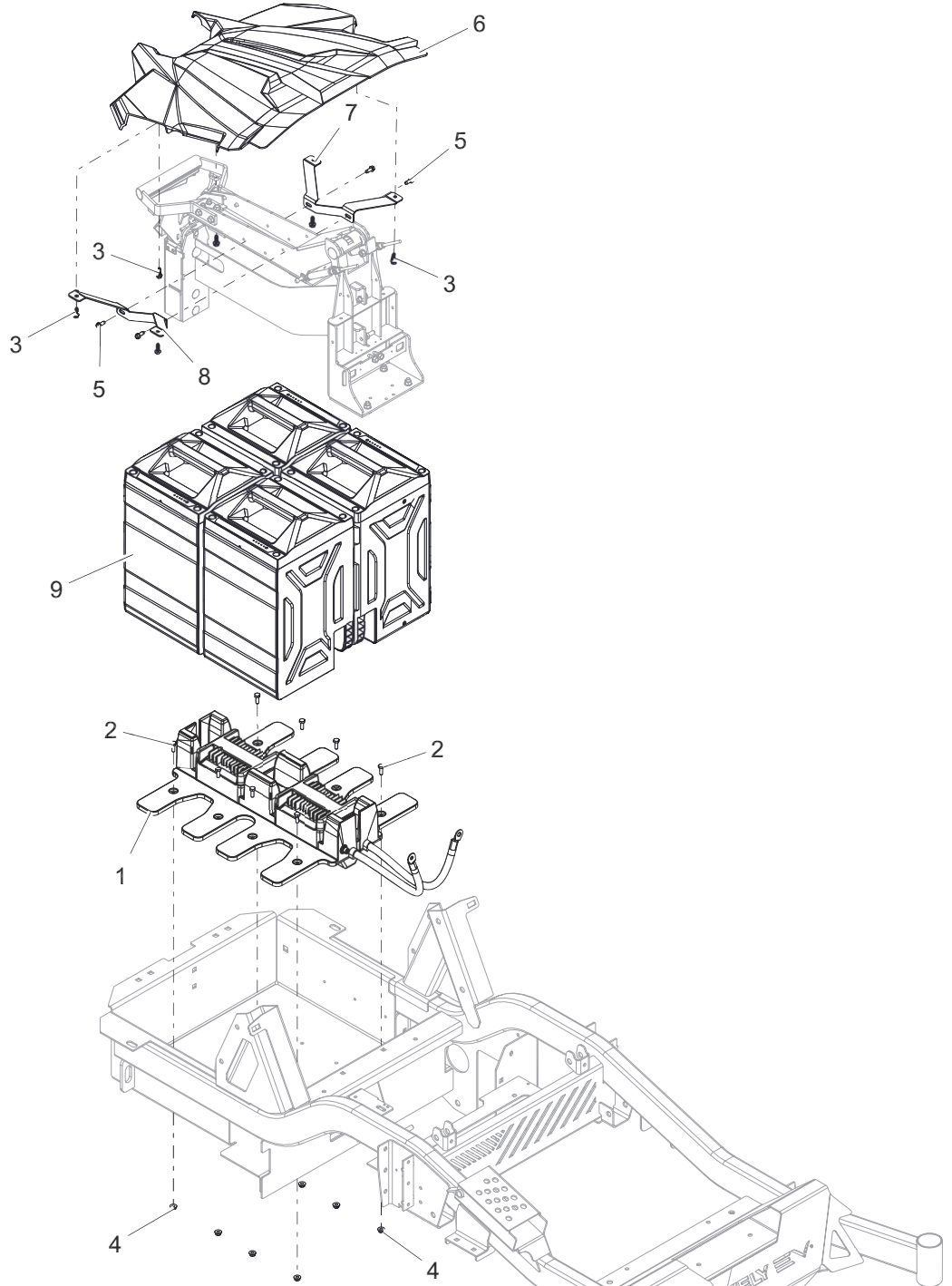
Model All



BOM ID	Number	Qty	Description
1	09178851	1	WLDMT, INTERLOCK (BLACK)
2	03826900	1	GRIP, PARKING BRAKE (YELLOW)
3	04999100	1	ROD, OVER CENTER
4	05500106	1	SPACER SLEEVED .385 X .500 X 1.045
5	06401023	1	WSHR-FL-STL 0.375X0.875X0.083 ZC120
6	06500905	1	NUT, FLG-TOP LK .375-16 GRG ZC120
7	06500910	2	NUT-JAM .375-16 GR2 ZCC
8	06700222	1	PIN, HAIR #213 .08X1.19 ZCC
9	07400122	1	SCR-TAP .25-20X.50 HWH ZCC
10	08320900	1	SPRG, COMPRESSION
11	09435400	1	SWITCH, BRAKE NO-NC-POST AND HOLE

HOOD AND BATTERIES

Model All

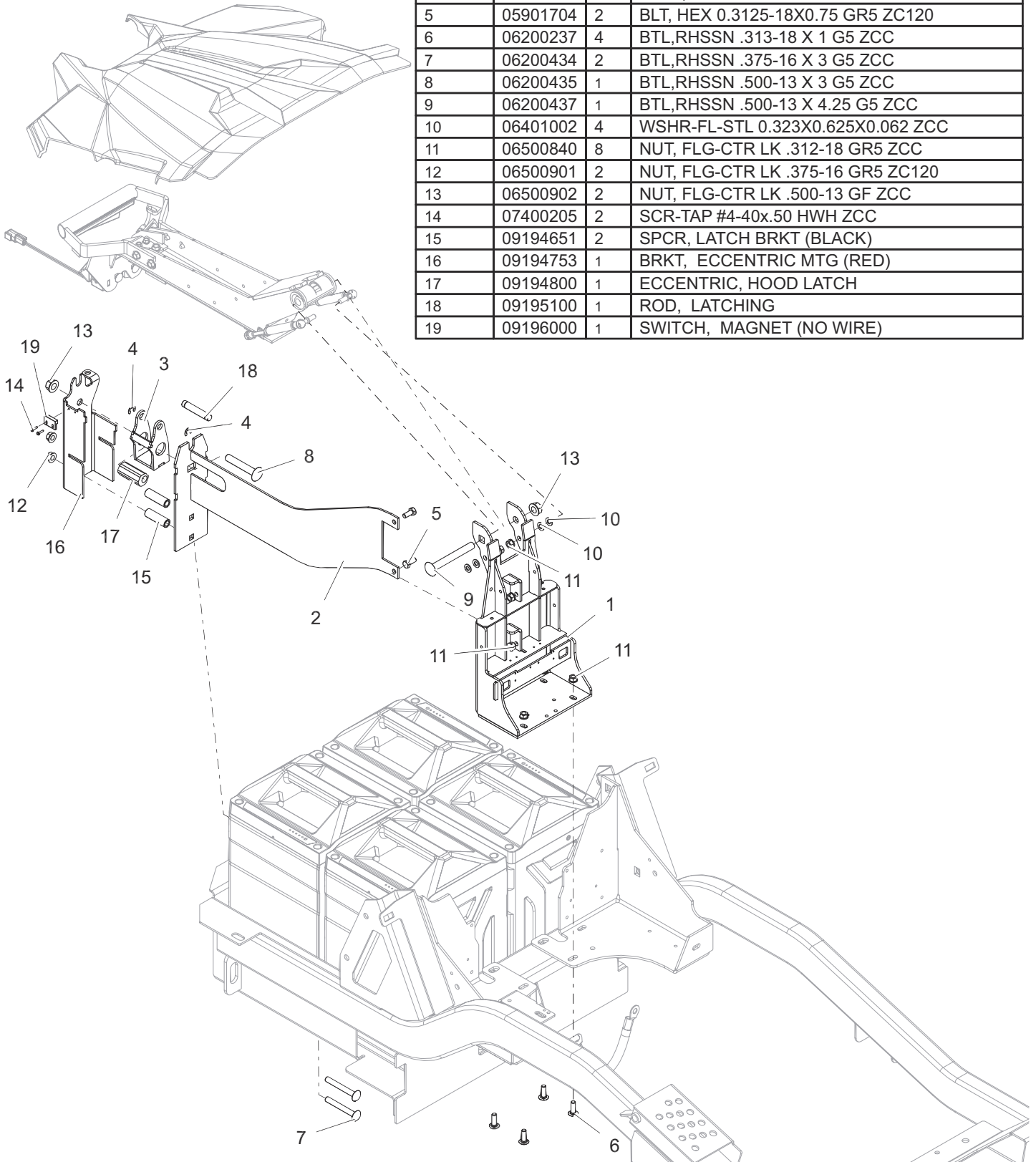


BOM ID	Number	Qty	Description
1	05287000	1	BASE, BATTERY BUSSBAR
2	05901716	8	BLT, HEX 0.25-20X0.75 GR5 ZC120
3	06100231	6	SCR, PLASTITE-HWH 0.25 X 0.75 ZC120
4	06500821	8	NUT, FLG-CTR LK .250-20 GR5 ZC120
5	07400135	4	SCR-TAP .25-20X.625 HWH ZCC
6	09193800	1	HOOD, PRO - TURN EV
7	09194151	1	SUPPORT, HOOD EVZT (BLACK)
8	09196551	1	SUPPORT, HOOD EVZT (BLACK)
9	89700100	4	KIT, EV BATTERY

BATTERY HOLD DOWN AND LATCH ASSEMBLY

Model All

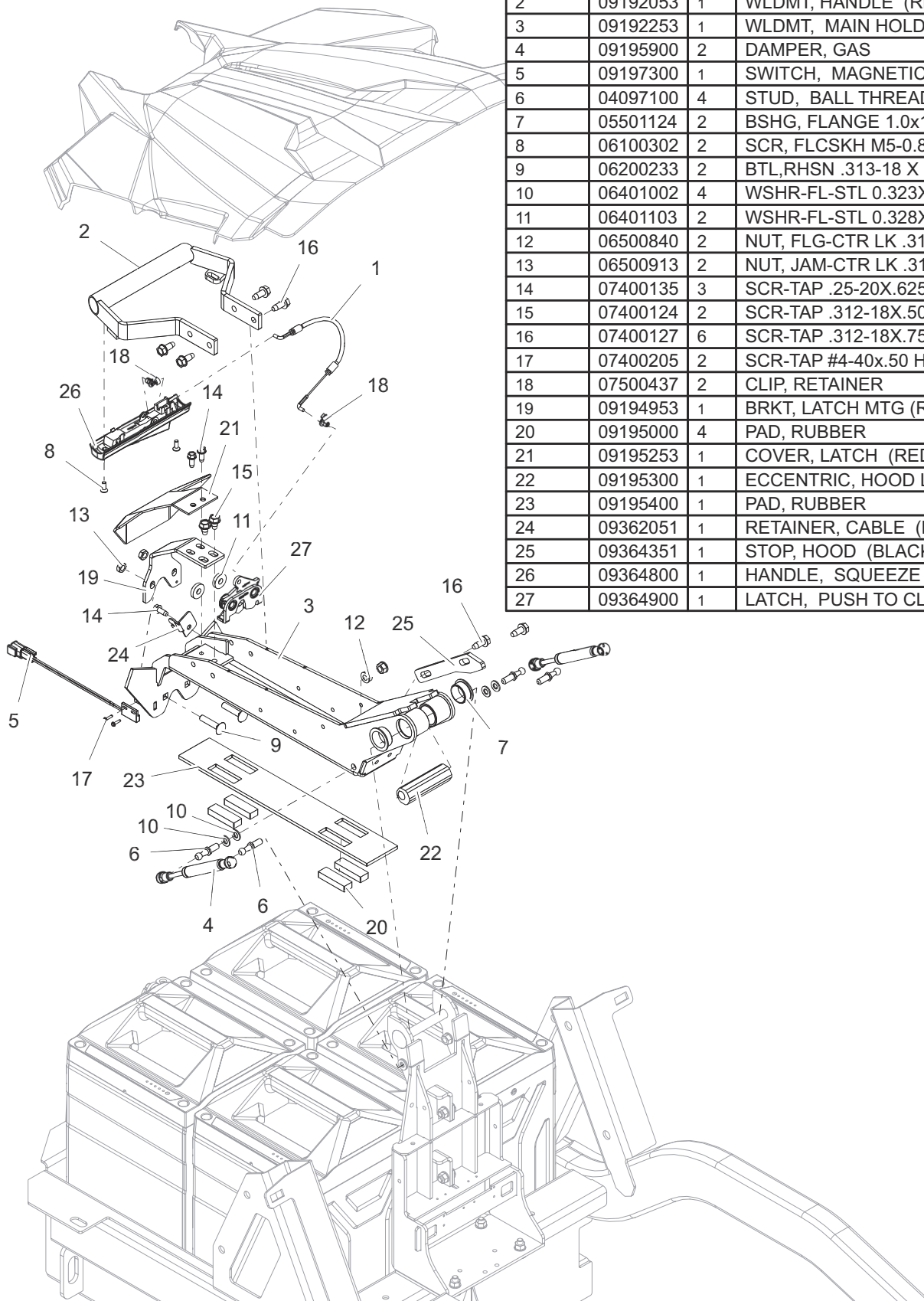
BOM ID	Number	Qty	Description
1	09187953	1	WLDMT, BATTERY HOLDDOWN PIVOT (RED)
2	09188053	1	WLDMT, ECCENTRIC MTG (RED)
3	09192151	1	WLDMT, ECCENTRIC (BLACK)
4	05705900	2	RING, RETAINING-E .438X.035
5	05901704	2	BLT, HEX 0.3125-18X0.75 GR5 ZC120
6	06200237	4	BTL,RHSSN .313-18 X 1 G5 ZCC
7	06200434	2	BTL,RHSSN .375-16 X 3 G5 ZCC
8	06200435	1	BTL,RHSSN .500-13 X 3 G5 ZCC
9	06200437	1	BTL,RHSSN .500-13 X 4.25 G5 ZCC
10	06401002	4	WSHR-FL-STL 0.323X0.625X0.062 ZCC
11	06500840	8	NUT, FLG-CTR LK .312-18 GR5 ZCC
12	06500901	2	NUT, FLG-CTR LK .375-16 GR5 ZC120
13	06500902	2	NUT, FLG-CTR LK .500-13 GF ZCC
14	07400205	2	SCR-TAP #4-40x.50 HWH ZCC
15	09194651	2	SPCR, LATCH BRKT (BLACK)
16	09194753	1	BRKT, ECCENTRIC MTG (RED)
17	09194800	1	ECCENTRIC, HOOD LATCH
18	09195100	1	ROD, LATCHING
19	09196000	1	SWITCH, MAGNET (NO WIRE)



BATTERY HOLD DOWN AND LATCH ASSEMBLY (CONTINUED)

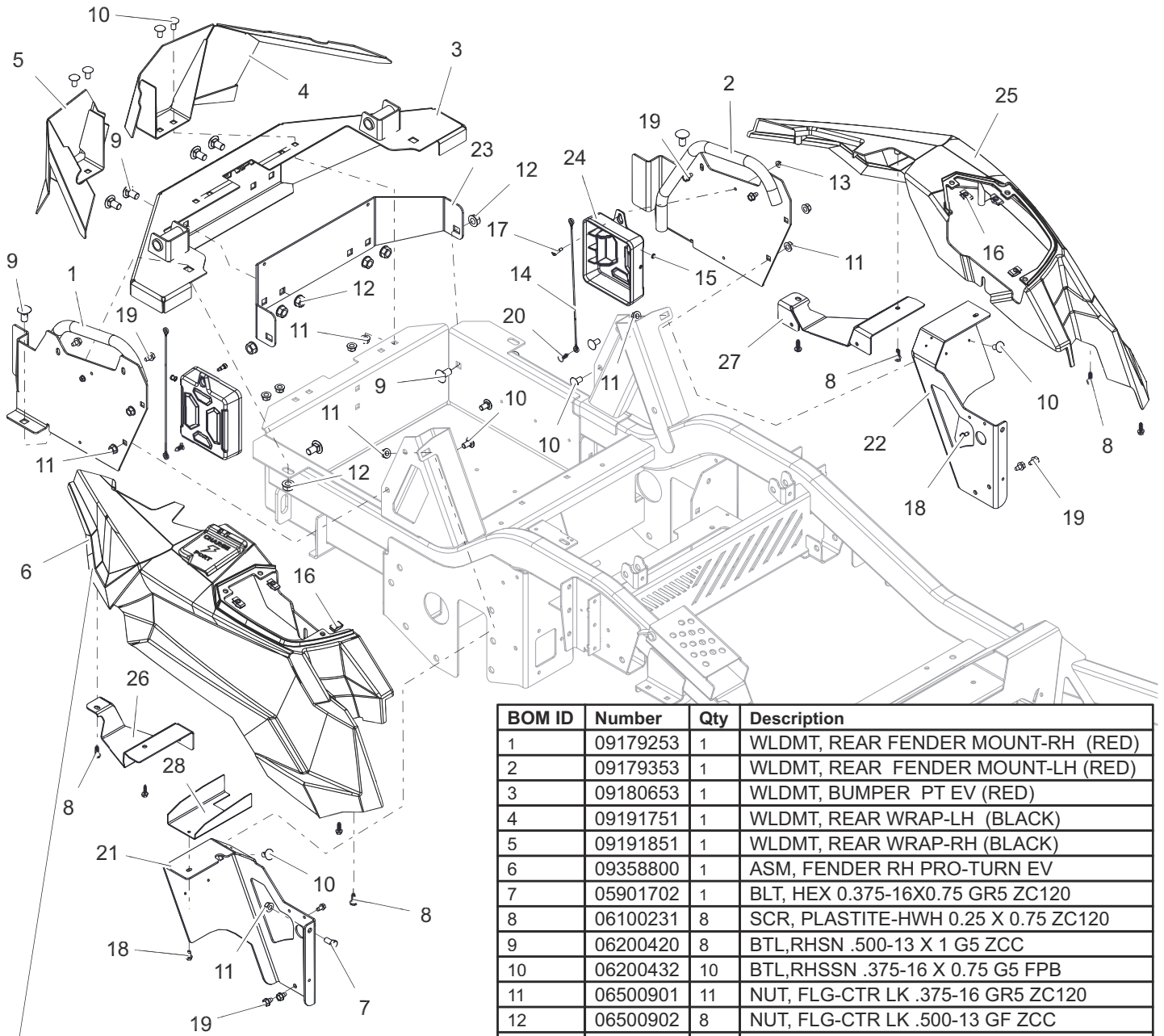
Model All

BOM ID	Number	Qty	Description
1	06900730	1	CABLE, HOOD RELEASE
2	09192053	1	WLDMT, HANDLE (RED)
3	09192253	1	WLDMT, MAIN HOLD DOWN (RED)
4	09195900	2	DAMPER, GAS
5	09197300	1	SWITCH, MAGNETIC
6	04097100	4	STUD, BALL THREADED
7	05501124	2	BSHG, FLANGE 1.0x1.125x.50x1.375
8	06100302	2	SCR, FLCSKH M5-0.8X14 GR10.9 ROHS
9	06200233	2	BTL,RHSN .313-18 X 1.5 G5 ZCC
10	06401002	4	WSHR-FL-STL 0.323X0.625X0.062 ZCC
11	06401103	2	WSHR-FL-STL 0.328X0.87X0.179 ZCC
12	06500840	2	NUT, FLG-CTR LK .312-18 GR5 ZCC
13	06500913	2	NUT, JAM-CTR LK .312-18 GR5 ZCC
14	07400135	3	SCR-TAP .25-20X.625 HWH ZCC
15	07400124	2	SCR-TAP .312-18X.50 HWH ZCC
16	07400127	6	SCR-TAP .312-18X.75 HWH ZCC
17	07400205	2	SCR-TAP #4-40x.50 HWH ZCC
18	07500437	2	CLIP, RETAINER
19	09194953	1	BRKT, LATCH MTG (RED)
20	09195000	4	PAD, RUBBER
21	09195253	1	COVER, LATCH (RED)
22	09195300	1	ECCENTRIC, HOOD LATCH-FRONT
23	09195400	1	PAD, RUBBER
24	09362051	1	RETAINER, CABLE (BLACK)
25	09364351	1	STOP, HOOD (BLACK)
26	09364800	1	HANDLE, SQUEEZE ACTUATOR
27	09364900	1	LATCH, PUSH TO CLOSE



FENDERS AND BUMPER

Model All

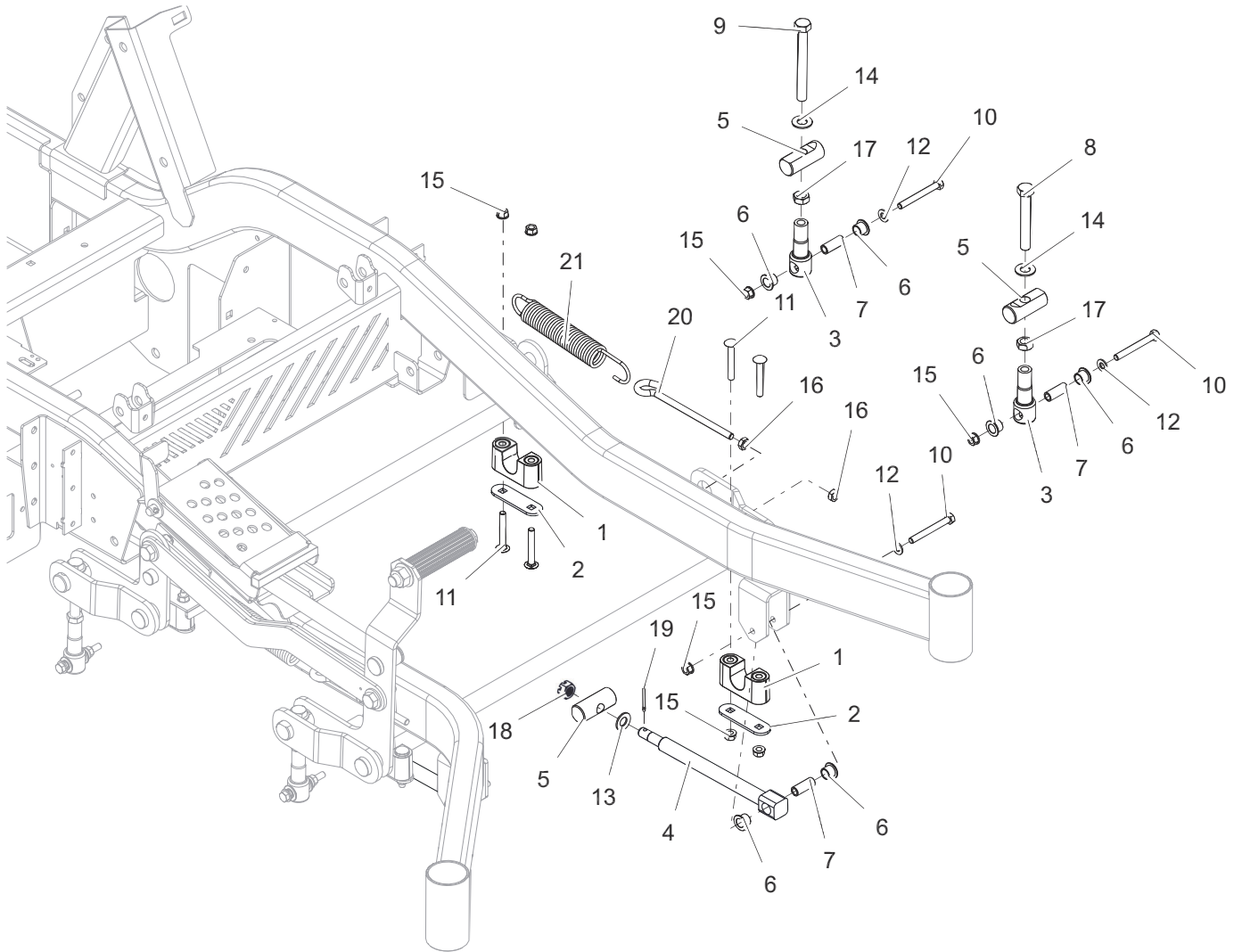


Service Items:
 1-09195700 COVER, CHARGE PORT
 1-08300721 SPRING, TORSION
 1-09196800 PIN, HINGE

BOM ID	Number	Qty	Description
1	09179253	1	WLDMT, REAR FENDER MOUNT-RH (RED)
2	09179353	1	WLDMT, REAR FENDER MOUNT-LH (RED)
3	09180653	1	WLDMT, BUMPER PT EV (RED)
4	09191751	1	WLDMT, REAR WRAP-LH (BLACK)
5	09191851	1	WLDMT, REAR WRAP-RH (BLACK)
6	09358800	1	ASM, FENDER RH PRO-TURN EV
7	05901702	1	BLT, HEX 0.375-16X0.75 GR5 ZC120
8	06100231	8	SCR, PLASTITE-HWH 0.25 X 0.75 ZC120
9	06200420	8	BTL,RHSN .500-13 X 1 G5 ZCC
10	06200432	10	BTL,RHSSN .375-16 X 0.75 G5 FPB
11	06500901	11	NUT, FLG-CTR LK .375-16 GR5 ZC120
12	06500902	8	NUT, FLG-CTR LK .500-13 GF ZCC
13	06500932	2	NUT, FLG-TOP LK #10-24 GRF ZCC
14	06900317	2	LANYARD, 12"
15	07001918	2	POST, & SCREW, PUSH LOCK .25 X .25
16	07009000	6	NUT, RTNR .25-20 X .56
17	07070101	2	BLT-SHLDR .25X.375X10-24
18	07400122	3	SCR-TAP .25-20X.50 HWH ZCC
19	07400124	8	SCR-TAP .312-18X.50 HWH ZCC
20	07500125	2	RIVET, .25 NYLON PANEL
21	09179453	1	MOUNT, FRONT FENDER-RH
22	09179553	1	MOUNT, FRONT FENDER-LH
23	09180751	1	SUPPORT, BUMPER (BLACK)
24	09185400	2	COVER, BATTERY BUSBAR TERMINAL
25	09193700	1	FENDER, LH PRO-TURN EV
26	09198051	1	SHIELD, FENDER MOUNT -RH (BLACK)
27	09198151	1	SHIELD, FENDER MOUNT-LH (BLACK)
28	09386651	1	SHIELD, DEBRIS -CHARGE PORT (BLACK)

DECK LIFT – LH

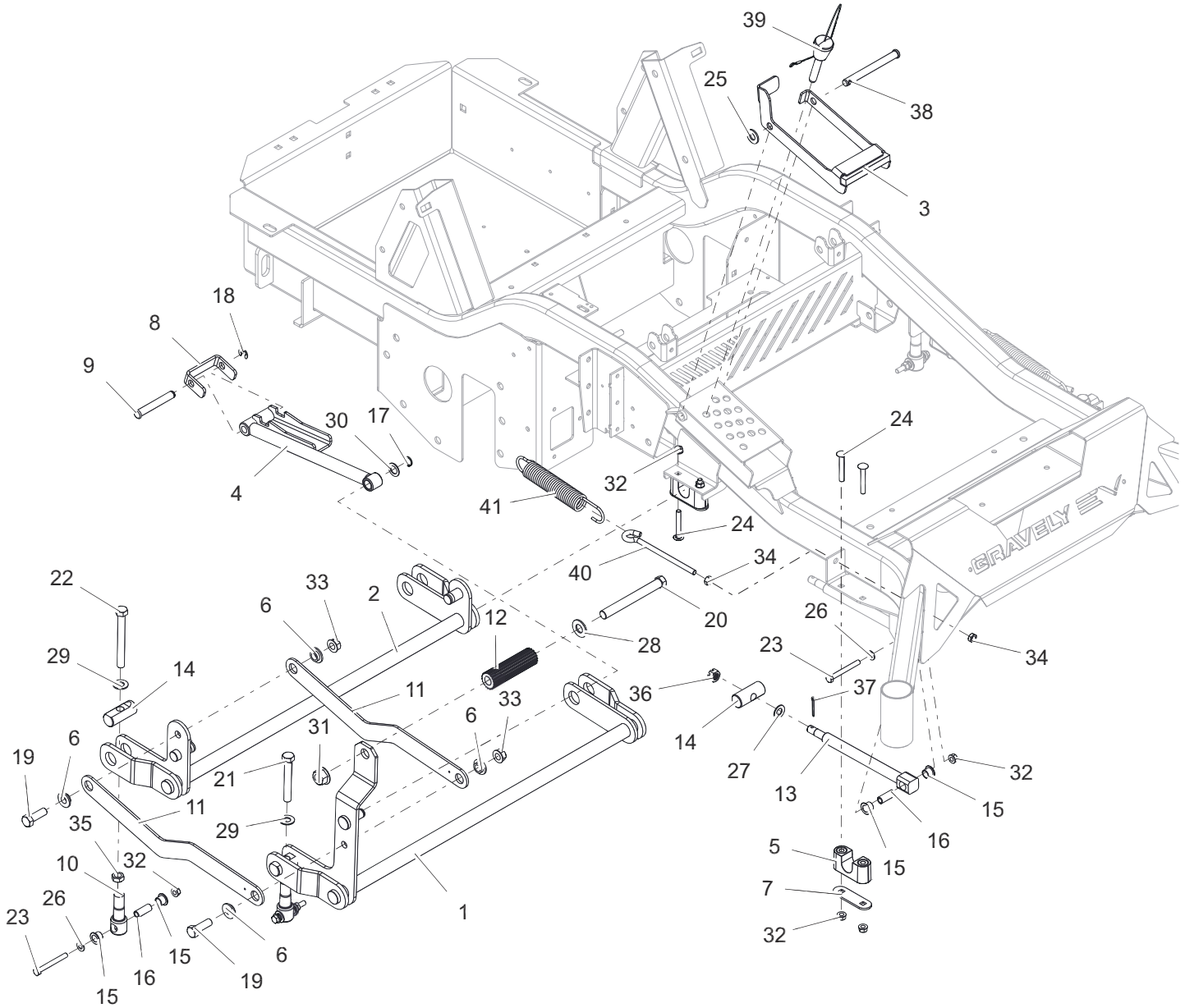
Model All



BOM ID	Number	Qty	Description
1	07500414	2	ASM, BSHG
2	04766551	2	PLATE, BEARING SUPPORT
3	05081400	2	LINK, DECK LIFT, FORMED
4	05126700	1	DRAG, LINK
5	05149500	3	PIN, DECK LIFT
6	05501409	6	BSHG, FLANGED .50X.625X.50X.062
7	05501417	3	SPCR, .31X.50X1.265
8	05901735	1	BLT, HEX 0.5-13X3.5F GR5 ZCC
9	05901736	1	BLT, HEX 0.5-13X4.5F GR8 ZCC
10	05901807	3	BLT, HEX 0.3125-18X2.75 GR5 ZCC
11	06200311	4	BTL,RHSSN .313-18 X 2.25 G5 ZCC
12	06401017	3	WSHR-FL-STL 0.344X0.688X0.065 ZC120
13	06401018	1	WSHR, BLVL .505 X 1.000 X .073 ZCC
14	06401116	2	WSHR-FL-STL 0.526X1.055X0.074 HRD
15	06500840	7	NUT, FLG-CTR LK .312-18 GR5 ZCC
16	06500910	2	NUT-JAM .375-16 GR2 ZCC
17	06500911	2	NUT, JAM .50-13 GR5 ZC120
18	06505000	1	NUT, -SL .50-13
19	06700212	1	PIN, CTR .12X1.25 EXTPRSQCT ZC120
20	07001814	1	BOLT, .38-16X5.25-.62 DIA EYE
21	08319000	1	SPRNG, TENSION .162 X 1.250 X 8.250

DECK LIFT – RH

Model All

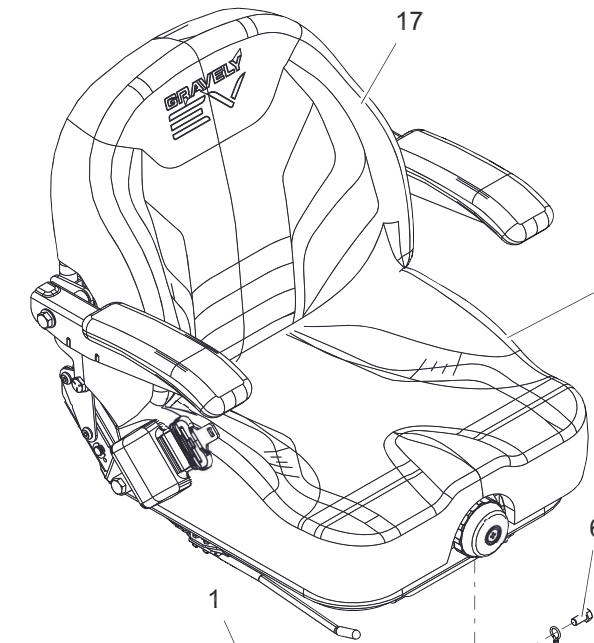


BOM ID	Number	Qty	Description
1	05019651	1	WLDMT, FRONT DECK LIFT PIVOT
2	05019751	1	WLDMT, REAR DECK LIFT PIVOT (BLACK)
3	05025251	1	WLDMT, HOC TRANSFER LOCK (BLACK)
4	05186351	1	WLDMT, HOC LIFT ARM (BLACK)
5	07500414	2	ASM, BSHG
6	03989100	4	BUSHING FLANGED .515X.750X.31X1.12
7	04766551	2	PLATE, BEARING SUPPORT
8	05077551	1	BRKT, HOC LINE (BLACK)
9	05800210	1	PIN, .499/.494 x 3.385 CLEVIS
10	05081400	2	LINK, DECK LIFT, FORMED
11	05083951	2	LINK, DECK
12	05120951	1	ROD, FOOT PEDAL (BLACK)
13	05126700	1	DRAG, LINK
14	05149500	3	PIN, DECK LIFT
15	05501409	6	BSHG, FLANGED .50X.625X.50X.062
16	05501417	3	SPCR, .31X.50X1.265
17	05709200	1	RG-RTNG-EXT .625x.050
18	05710200	1	RING, RETAINING-E .500X.042
19	05901631	2	BLT, HEX 0.5-13X1.5 GR5 ZC120
20	05901730	1	BLT, HEX 0.625-11X5.5 GR5 ZB500
21	05901735	1	BLT, HEX 0.5-13X3.5F GR5 ZCC

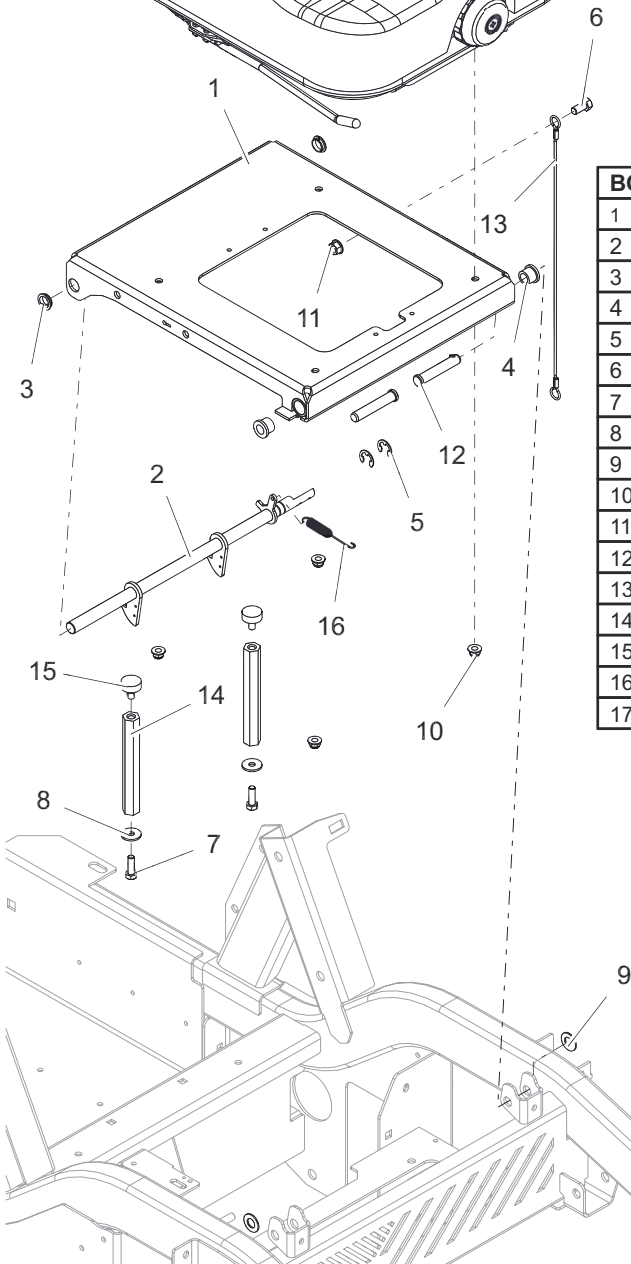
BOM ID	Number	Qty	Description
22	05901736	1	BLT, HEX 0.5-13X4.5F GR8 ZCC
23	05901807	3	BLT, HEX 0.3125-18X2.75 GR5 ZCC
24	06200311	4	BTL,RHSSN .313-18 X 2.25 G5 ZCC
25	06401015	1	WSHR-FL-STL 0.531X1.062X0.095 ZC120
26	06401017	3	WSHR-FL-STL 0.344X0.688X0.065 ZC120
27	06401018	1	WSHR, BVLV .531 X 1.000 X .062 MZ
28	06401039	1	WSHR-FL-STL 0.656X1.312X0.095 RIE5230
29	06401116	2	WSHR-FL-STL 0.526X1.055X0.074 HRD
30	06401117	1	WSHR-FL-STL 0.63X1.005X0.062 ZCC
31	06500835	1	NUT,FLG-TOP LK .625-11 FBP
32	06500840	7	NUT, FLG-CTR LK .312-18 GR5 ZCC
33	06500902	2	NUT, FLG-CTR LK .500-13 GF ZCC
34	06500910	2	NUT-JAM .375-16 GR2 ZCC
35	06500911	2	NUT, JAM .50-13 GR5 ZC120
36	06505000	1	NUT, -SL .50-13
37	06700212	1	PIN, CTR .12X1.25 EXTPRSQCT ZC120
38	06800201	1	PIN, SLIC-.500X4.97X4.55 -ZC
39	06800203	1	PIN, MAGNETIC .50X2.50
40	07001814	1	BOLT, .38-16X5.25-.62 DIA EYE
41	08319000	1	SPRG, TENSION .162 X 1.250 X 8.250

SEAT

Model All



SERVICE PARTS:
 21575200 - SEAT BACK COVER-BLK/RED
 21575300 - SEAT CUSHION COVER-BLK/RED
 21557900 - SEAT BELT KIT
 21552000 - LH ARMREST PAD
 21560900 - RH ARMREST PAD
 21558000 - RH ARMREST ASM
 21558100 - LH ARM REST ASM
 21558200 - RH & LH ARMREST ASM SET
 21558300 - SEAT ADJUSTMENT TRACK SET
 21558500 - BELLOWS KIT
 21558600 - WEIGHT ADJUSTMENT KNOB KIT
 02754100 - SEAT SWITCH

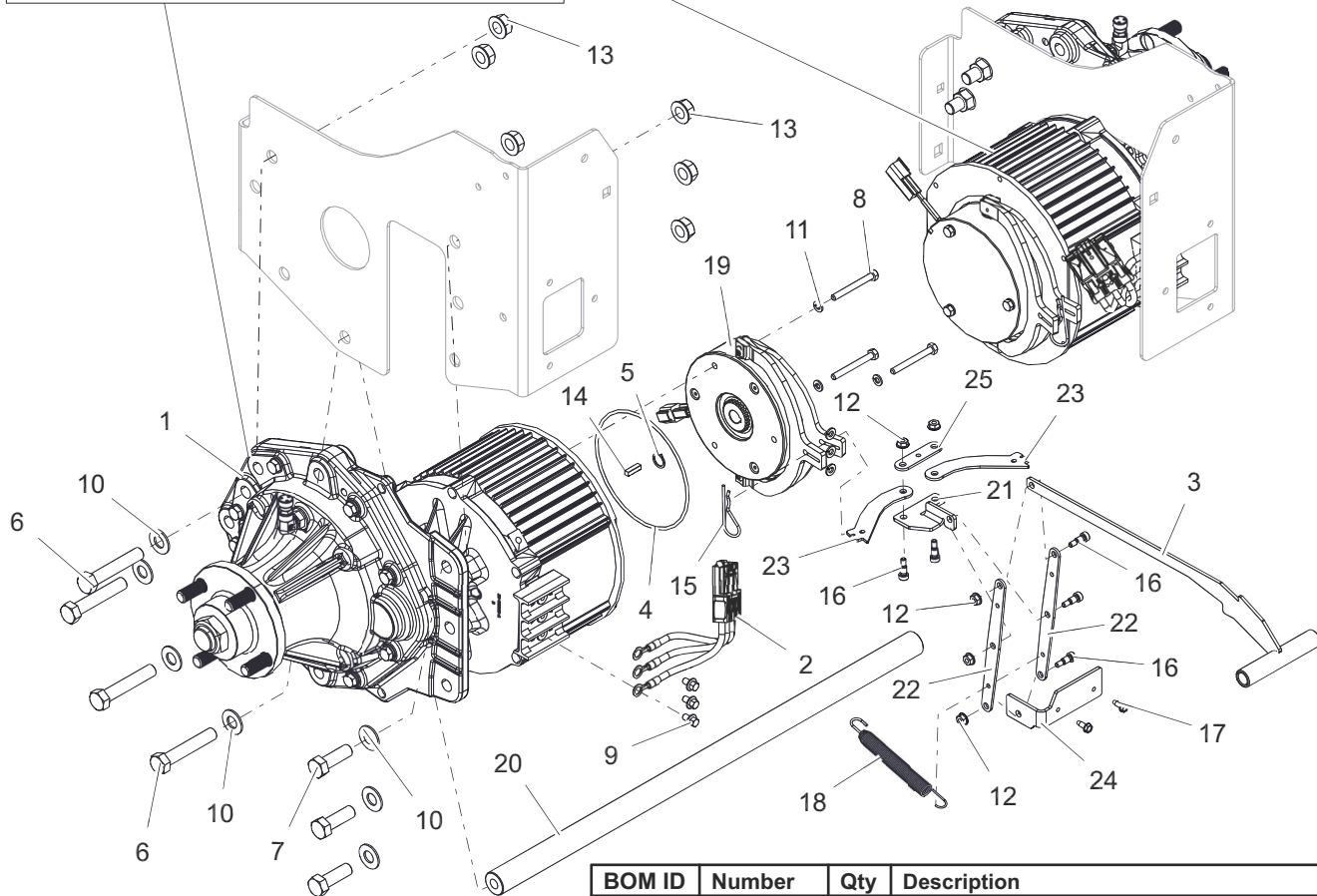


BOM ID	Number	Qty	Description
1	09191553	1	WLDMT, SEAT PLATE (RED)
2	09191653	1	WLDMT, SEAT LATCH (RED)
3	05500021	2	BSHG, POLYLINER - .63 SNAP-IN
4	05500901	2	BUSHING FLANGED .516 X .750 X .625 X .937
5	05708300	2	RING, RETAINING-E .625X.042
6	05901702	1	BLT, HEX 0.375-16X0.75 GR5 ZC120
7	05901833	2	BLT, HEX 0.3125-18X1 GR8 ZCC
8	06401027	2	WSHR-FL-STL 0.328X1X0.094 ZCC
9	06401115	2	WSHR-FL-STL 0.531X1X0.063 ZCC
10	06500809	4	NUT, LK-NYL-FLG .31-18 GR5 ZC120
11	06500901	1	NUT, FLG-CTR LK .375-16 GR5 ZC120
12	06800202	2	PIN, SLIC-.500X42.70X2.31 -ZC
13	06900727	1	CABLE, WIRE (LANYARD)-.093X16.20
14	07001836	2	NUT, COUPLING .312-18 X 5.715
15	07533600	2	BUMPER, RUBBER
16	08321100	1	SPRG, EXTENSION - .043 X .440 X 3.310
17	09366600	1	SEAT, GRAVELLY MECH SUSPENSION LVR

WHEEL MOTORS AND BRAKE RELEASE

Model All

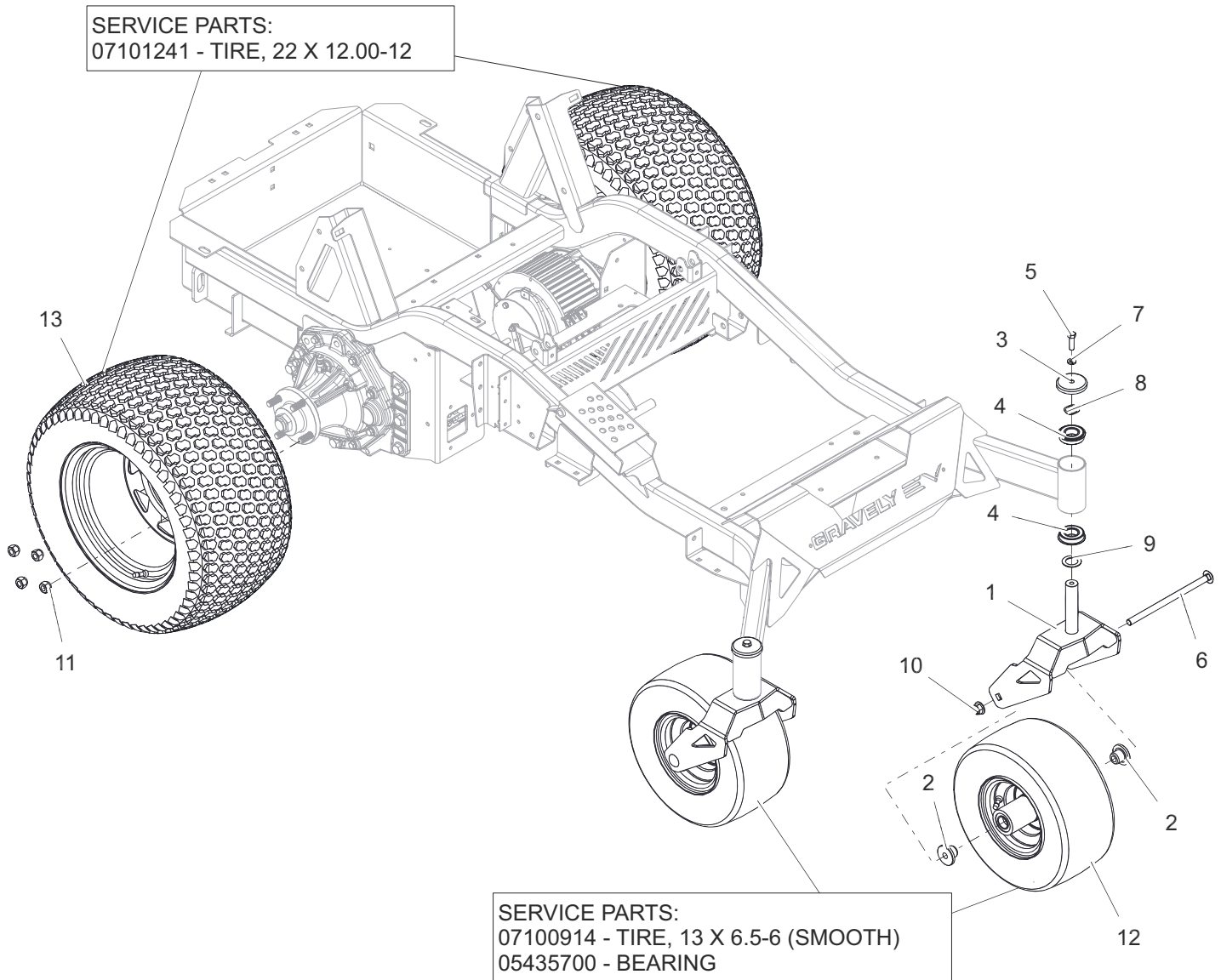
SERVICE:
1-21574600 ASM-MOTOR, ELECTRIC
1-21574700 ASM-GEAR BOX COMPONENTS



BOM ID	Number	Qty	Description
1	09198500	2	ASM, WHEEL DRIVE
2	09199300	2	HARNESS, PHASE - DRIVE MOTOR
3	09388400	1	WLDMT, BRAKE RELEASE
4	05600521	2	O-RING 126MM IDX3MM
5	05700226	2	RING, RETAINING-EXTERNAL 25MM X 1.2MM
6	05901836	8	BLT, HEX 0.5-13X2.75 GR8 ZC120
7	05902034	6	BLT, HEX 0.5-13X1.5 GR8 ZCC
8	05902101	6	BLT-HEX M6-1.00X45 YWZC
9	05902105	6	BLT,HEX M6-1X10 G8.8 ZCC
10	06401116	14	WSHR-FL-STL 0.526X1.055X0.074 HRD
11	06300127	6	WSHR,LK-M6 ZCC
12	06500932	5	NUT, FLG-TOP LK #10-24 GRF ZCC
13	06501005	12	NUT, FLG-CTR LK .500-13 GG ZCC
14	06600228	2	KEY-STR 5X5X18MM RD ENDS
15	06700215	2	PIN, HAIR- #7 .094 X 2.31 ZC120
16	07070101	5	BLT-SHLDR .25X.375X10-24
17	07400130	2	SCR-TAP #10-24X.50 HWH ZCC
18	08300538	1	SPRG, EXTENSION HOOK EXTENSION
19	09189300	2	BRAKE, MOTOR
20	09194251	1	SHAFT, TRANSAXLE SUPPORT (BLACK)
21	09388100	1	LINK, T
22	09388200	2	LINK, MIDDLE
23	09388300	2	LINK, PUSH
24	09388500	1	PIVOT, BRAKE LINK MAIN
25	09389200	1	PLATE, BRAKE PULL DOUBLER

WHEELS

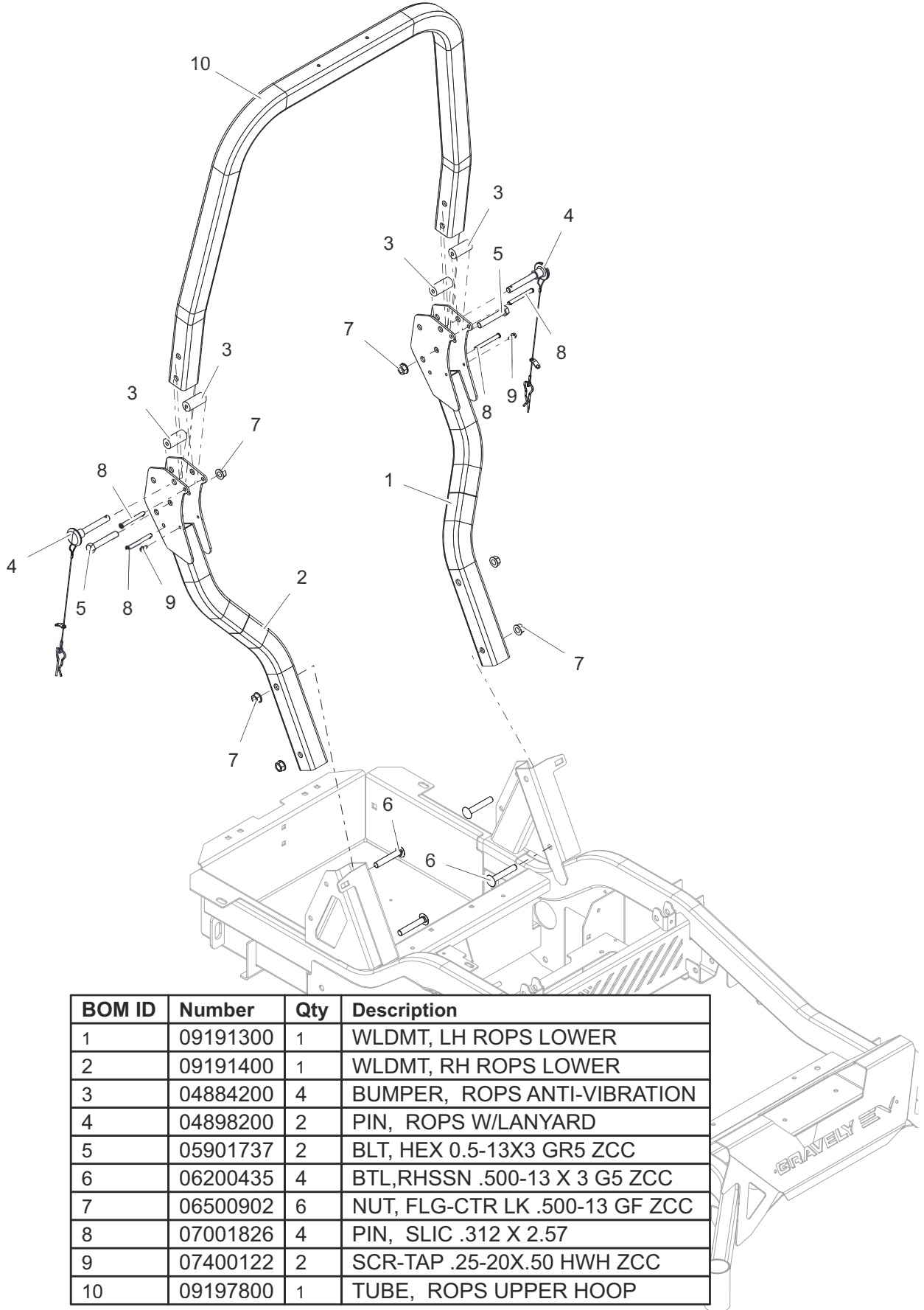
Model All



BOM ID	Number	Qty	Description
1	09187053	2	WLDMT, CASTER FORK-HD (RED)
2	00675300	4	SPACER FLANGED SPACER, FRONT WHEEL
3	05198400	2	SHIELD, AXLE BEARING
4	05400728	4	BEARING, BALL -2.000 OD X 1.000 ID X .5625 W/RING
5	05901724	2	BLT, HEX 0.375-16X1.25 GR5 ZC120
6	06200322	2	BTL,RHSN .500-13 X 9 G5 ZCC
7	06300120	2	WSHR,LK-HVY 0.377 X 0.115 ZCC
8	06401030	2	WASHER, WAVE
9	06416600	2	WSHR, HRD THRS 1.007X1.542X.062
10	06500810	2	NUT, LK-NYL-FLG .50-13 GR5 ZC120
11	06500926	8	NUT, WHEEL .500-20 ZCC
12	07101226	2	ASSM TIRE\WHEEL, 13 X 6.50-6
13	07101227	2	ASSM TIRE\WHEEL, 22 X 12.00 - 12

ROPS

Model All



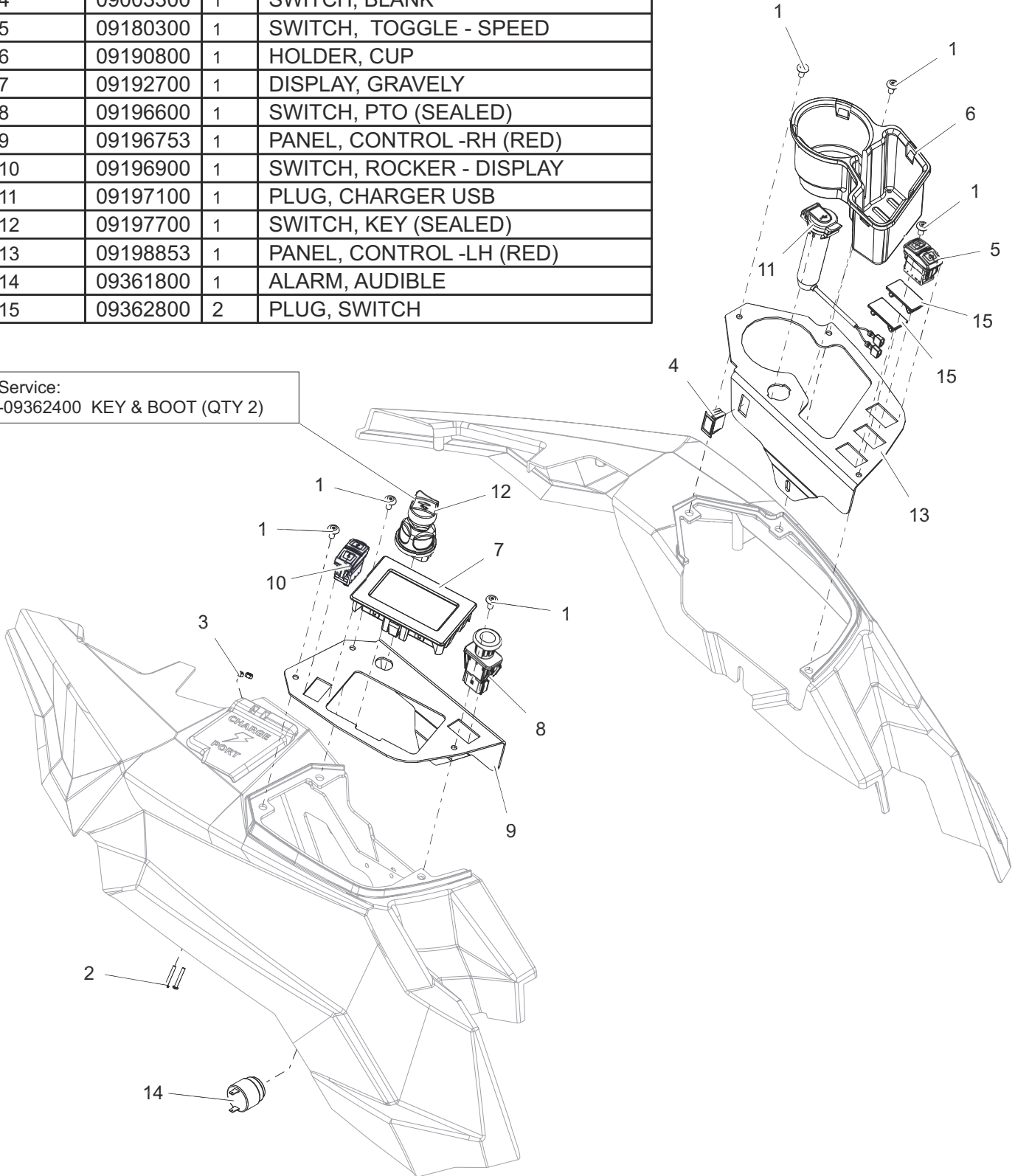
BOM ID	Number	Qty	Description
1	09191300	1	WLDMT, LH ROPS LOWER
2	09191400	1	WLDMT, RH ROPS LOWER
3	04884200	4	BUMPER, ROPS ANTI-VIBRATION
4	04898200	2	PIN, ROPS W/LANYARD
5	05901737	2	BLT, HEX 0.5-13X3 GR5 ZCC
6	06200435	4	BTL,RHSSN .500-13 X 3 G5 ZCC
7	06500902	6	NUT, FLG-CTR LK .500-13 GF ZCC
8	07001826	4	PIN, SLIC .312 X 2.57
9	07400122	2	SCR-TAP .25-20X.50 HWH ZCC
10	09197800	1	TUBE, ROPS UPPER HOOP

CONTROL PANELS

Model All

BOM ID	Number	Qty	Description
1	06100304	6	SCR, MCH .25-20 X .500 TXTR ZB500
2	06100305	2	SCR, PH PAN HD #6-32X1.000 ZCC
3	06538900	2	NUT-LK-NYL #6-32 YWZC
4	09003300	1	SWITCH, BLANK
5	09180300	1	SWITCH, TOGGLE - SPEED
6	09190800	1	HOLDER, CUP
7	09192700	1	DISPLAY, GRAVELLY
8	09196600	1	SWITCH, PTO (SEALED)
9	09196753	1	PANEL, CONTROL -RH (RED)
10	09196900	1	SWITCH, ROCKER - DISPLAY
11	09197100	1	PLUG, CHARGER USB
12	09197700	1	SWITCH, KEY (SEALED)
13	09198853	1	PANEL, CONTROL -LH (RED)
14	09361800	1	ALARM, AUDIBLE
15	09362800	2	PLUG, SWITCH

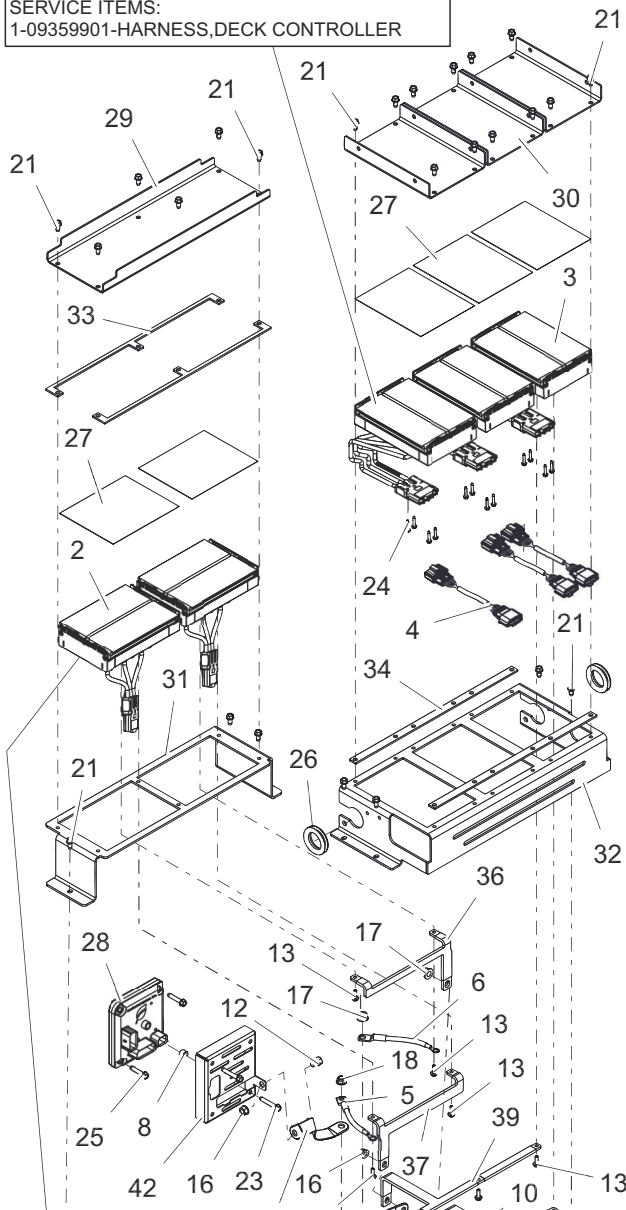
Service:
-09362400 KEY & BOOT (QTY 2)



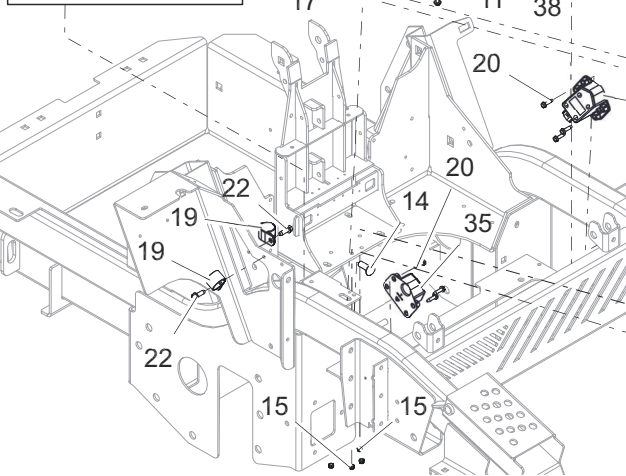
ELECTRICAL - SD

Model 997001

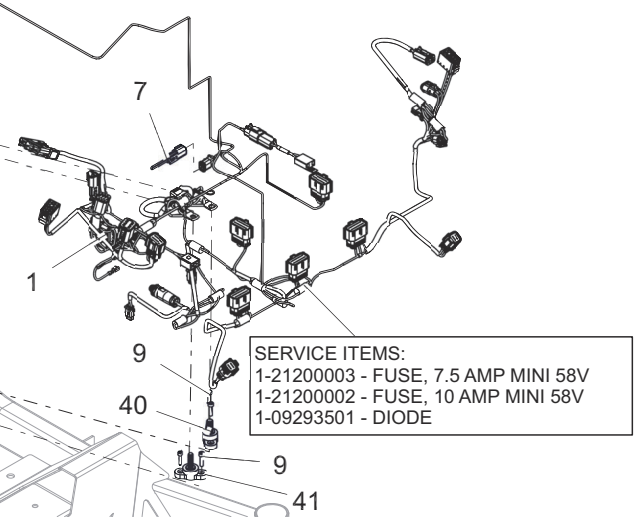
SERVICE ITEMS:
1-09359901-HARNES,DECK CONTROLLER



SERVICE ITEMS:
1-09359801-HARNES,
DRIVE CONTROLLER



BOM ID	Number	Qty	Description
1	05284000	1	HARNES, ELECTRICAL - PT-EV
2	09359800	2	ASM, DRIVE CONTROLLER W-HARNES
3	09359900	3	ASM, DECK CONTROLLER W-HARNES
4	09395200	3	HARNES, DECK CNTRL JUMPER
5	09425300	1	CABLE, GROUND
6	09425400	1	CABLE, POSITIVE
7	04841000	1	JUMPER, HARNES
8	05501433	2	SPCR, .334X.500X.324
9	05901624	4	SCR, SKH M5-.8 X 20 GR12.9 ROHS
10	05901702	1	BLT, HEX 0.375-16X0.75 GR5 ZC120
11	05901704	1	BLT, HEX 0.3125-18X0.75 GR5 ZC120
12	05901904	1	BLT, HEX 0.3125-18X0.5 GR5 ZCC
13	05902103	10	BLT,HEX M5-.8X16 EP30 G8.8 ZCC
14	06200235	1	BTL,RHSSN .375-16 X 1 G5 ZCC
15	06500801	4	NUT, LK-NYL M5-0.8 GR8.8 ZC120
16	06500840	2	NUT, FLG-CTR LK .312-18 GR5 ZCC
17	06500901	3	NUT, FLG-CTR LK .375-16 GR5 ZC120
18	06501014	1	NUT, LK-NYL-FLG .31-18 GR5 ZC120
19	06917900	2	CLAMP, CUSHIONED STEEL REV
20	07400118	6	SCR-TAP #10-24X.75 HWH ZCC
21	07400122	25	SCR-TAP .25-20X.50 HWH ZCC
22	07400131	2	SCR-TAP .25-20X.750 HWH ZCC
23	07400140	2	SCR-TAP .25-20X1.50 HWH ZCC
24	07400206	12	SCR-TAP #6-32X.75 HWH ZCC
25	07400207	2	SCR-TAP .25-20X1.25 HWH ZCC
26	07536800	2	GROMMET, 1.25"
27	09182200	5	PAD, THERMAL
28	09185500	1	MODULE, VEHICLE CONTROL, SD PTEV
29	09194300	1	PLATE, HEAT SINK-REAR
30	09194400	3	PLATE, HEAT SINK-FRONT
31	09194551	1	MOUNT, CNTRL -DRIVE (BLACK)
32	09195551	1	MOUNT, CONTROLLER PLATE-FRONT (BLACK)
33	09196151	2	SPCR, HEAT SINK (BLACK)
34	09197251	2	SPCR, HEAT SINK - FRONT (BLACK)
35	09197500	2	SENSOR, STEERING
36	09368200	1	BAR, BUSS -POS. WHL
37	09368300	1	BAR, BUSS-NEG. WHL
38	09368400	1	BAR, BUSS-POS
39	09368500	1	BAR, BUSS -NEG
40	09379500	1	STUD, POSITIVE POWER
41	09380200	1	STUD, NEGATIVE POWER
42	09381100	1	COVER, VCMA ALUMINUM
43	09381200	2	STRAP, GROUND

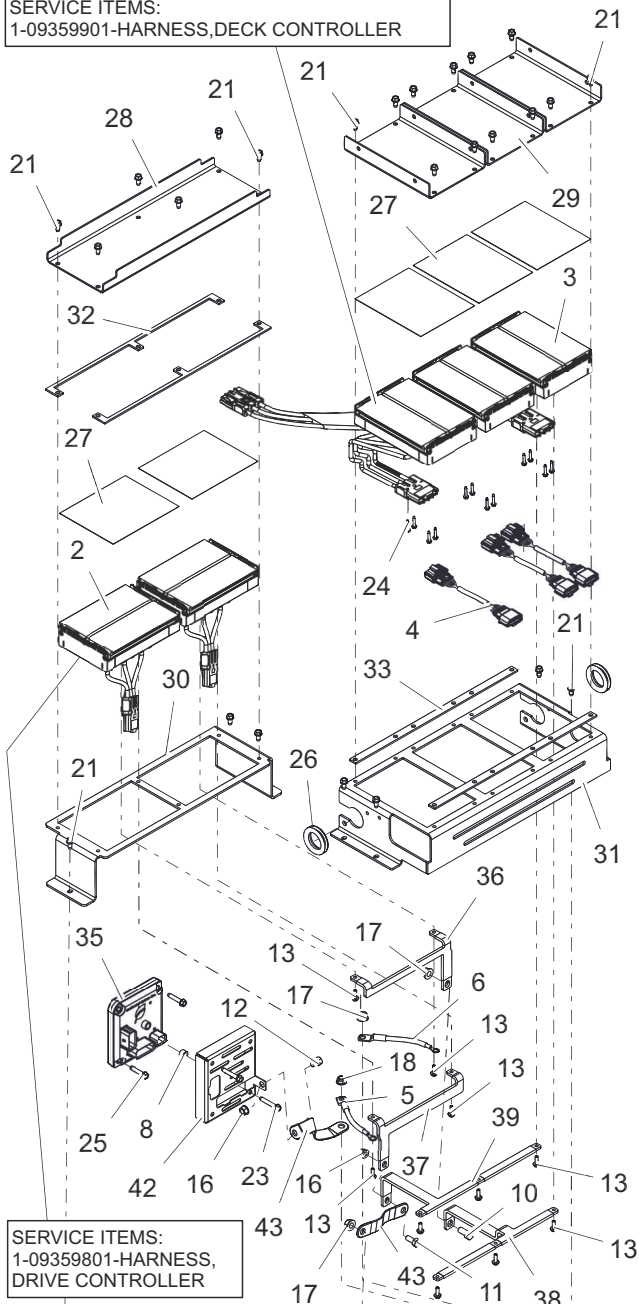


SERVICE ITEMS:
1-21200003 - FUSE, 7.5 AMP MINI 58V
1-21200002 - FUSE, 10 AMP MINI 58V
1-09293501 - DIODE

ELECTRICAL - RD

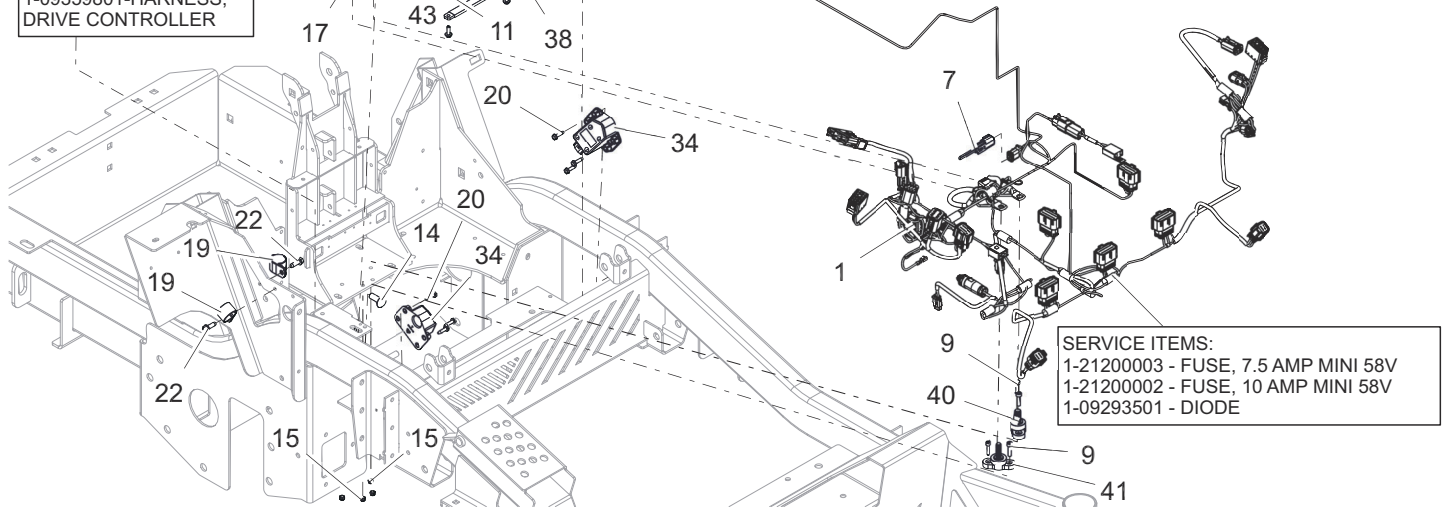
Model 997002

SERVICE ITEMS:
1-09359901-HARNES,DECK CONTROLLER



BOM ID	Number	Qty	Description
1	05284000	1	HARNES, ELECTRICAL - PT-EV
2	09359800	2	ASM, DRIVE CONTROLLER W-HARNES
3	09359900	3	ASM, DECK CONTROLLER W-HARNES
4	09395200	3	HARNES, DECK CNTRL JUMPER
5	09425300	1	CABLE, GROUND
6	09425400	1	CABLE, POSITIVE
7	04841000	1	JUMPER, HARNES
8	05501433	2	SPCR, .334X.500X.324
9	05901624	4	SCR, SKH M5-.8 X 20 GR12.9 ROHS
10	05901702	1	BLT, HEX 0.375-16X0.75 GR5 ZC120
11	05901704	1	BLT, HEX 0.3125-18X0.75 GR5 ZC120
12	05901904	1	BLT, HEX 0.3125-18X0.5 GR5 ZCC
13	05902103	10	BLT,HEX M5-.8X16 EP30 G8.8 ZCC
14	06200235	1	BTL,RHSSN .375-16 X 1 G5 ZCC
15	06500801	4	NUT, LK-NYL M5-0.8 GR8.8 ZC120
16	06500840	2	NUT, FLG-CTR LK .312-18 GR5 ZCC
17	06500901	3	NUT, FLG-CTR LK .375-16 GR5 ZC120
18	06501014	1	NUT, LK-NYL-FLG .31-18 GR5 ZC120
19	06917900	2	CLAMP, CUSHIONED STEEL REV
20	07400118	6	SCR-TAP #10-24X.75 HWH ZCC
21	07400122	25	SCR-TAP .25-20X.50 HWH ZCC
22	07400131	2	SCR-TAP .25-20X.750 HWH ZCC
23	07400140	2	SCR-TAP .25-20X1.50 HWH ZCC
24	07400206	12	SCR-TAP #6-32X.75 HWH ZCC
25	07400207	2	SCR-TAP .25-20X1.25 HWH ZCC
26	07536800	2	GROMMET, 1.25"
27	09182200	5	PAD, THERMAL
28	09194300	1	PLATE, HEAT SINK-REAR
29	09194400	3	PLATE, HEAT SINK-FRONT
30	09194551	1	MOUNT, CNTRL -DRIVE (BLACK)
31	09195551	1	MOUNT, CONTROLLER PLATE-FRONT (BLACK)
32	09196151	2	SPCR, HEAT SINK (BLACK)
33	09197251	2	SPCR, HEAT SINK - FRONT (BLACK)
34	09197500	2	SENSOR, STEERING
35	09366400	1	BOX, VCM (ASI)
36	09368200	1	BAR, BUSS -POS. WHL
37	09368300	1	BAR, BUSS-NEG. WHL
38	09368400	1	BAR, BUSS-POS
39	09368500	1	BAR, BUSS -NEG
40	09379500	1	STUD, POSITIVE POWER
41	09380200	1	STUD, NEGATIVE POWER
42	09381100	1	COVER, VCMA ALUMINUM
43	09381200	2	STRAP, GROUND

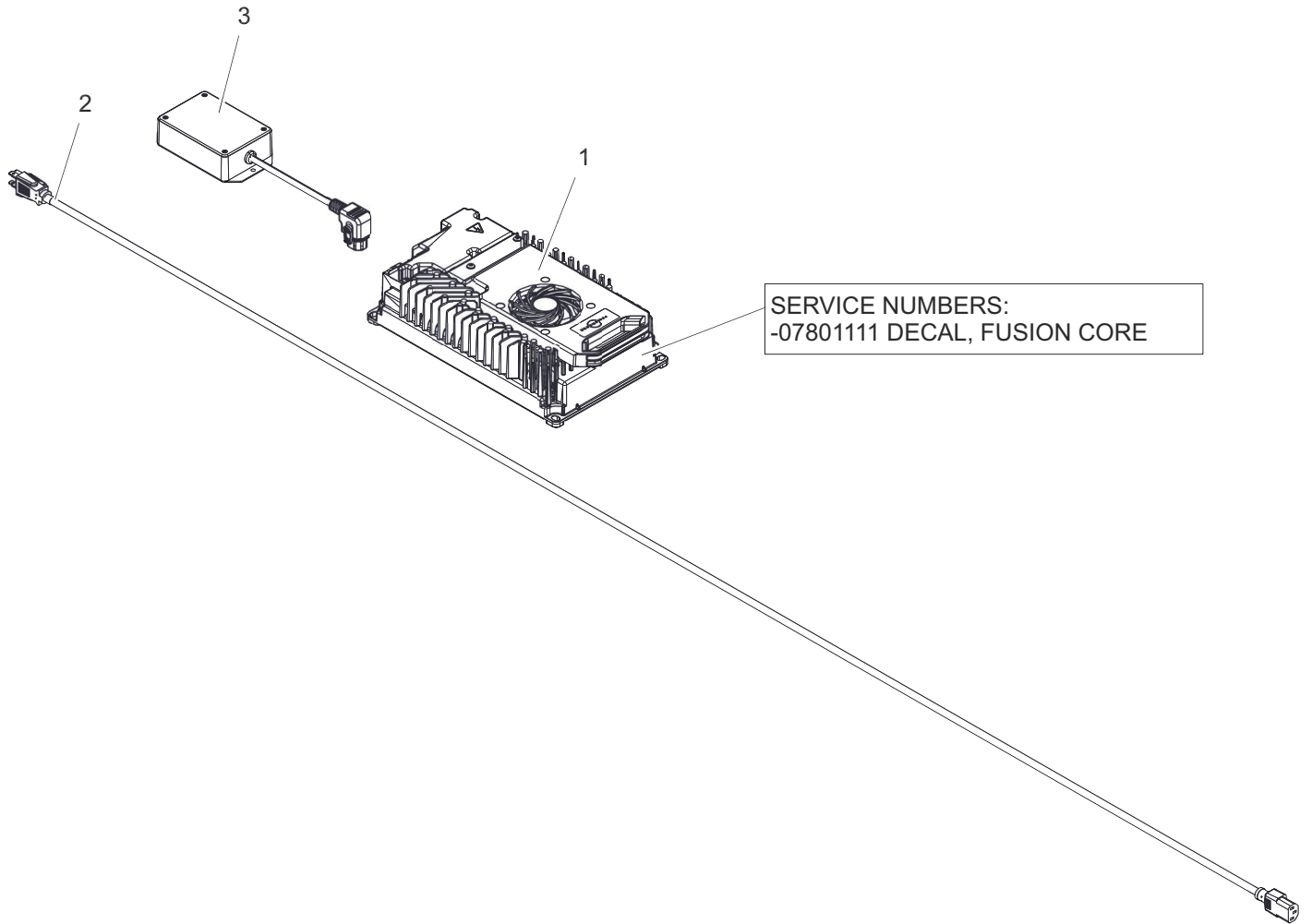
SERVICE ITEMS:
1-09359801-HARNES,
DRIVE CONTROLLER



SERVICE ITEMS:
1-21200003 - FUSE, 7.5 AMP MINI 58V
1-21200002 - FUSE, 10 AMP MINI 58V
1-09293501 - DIODE

POWER CORD, BATTERY CHARGER, AND EMI FILTER

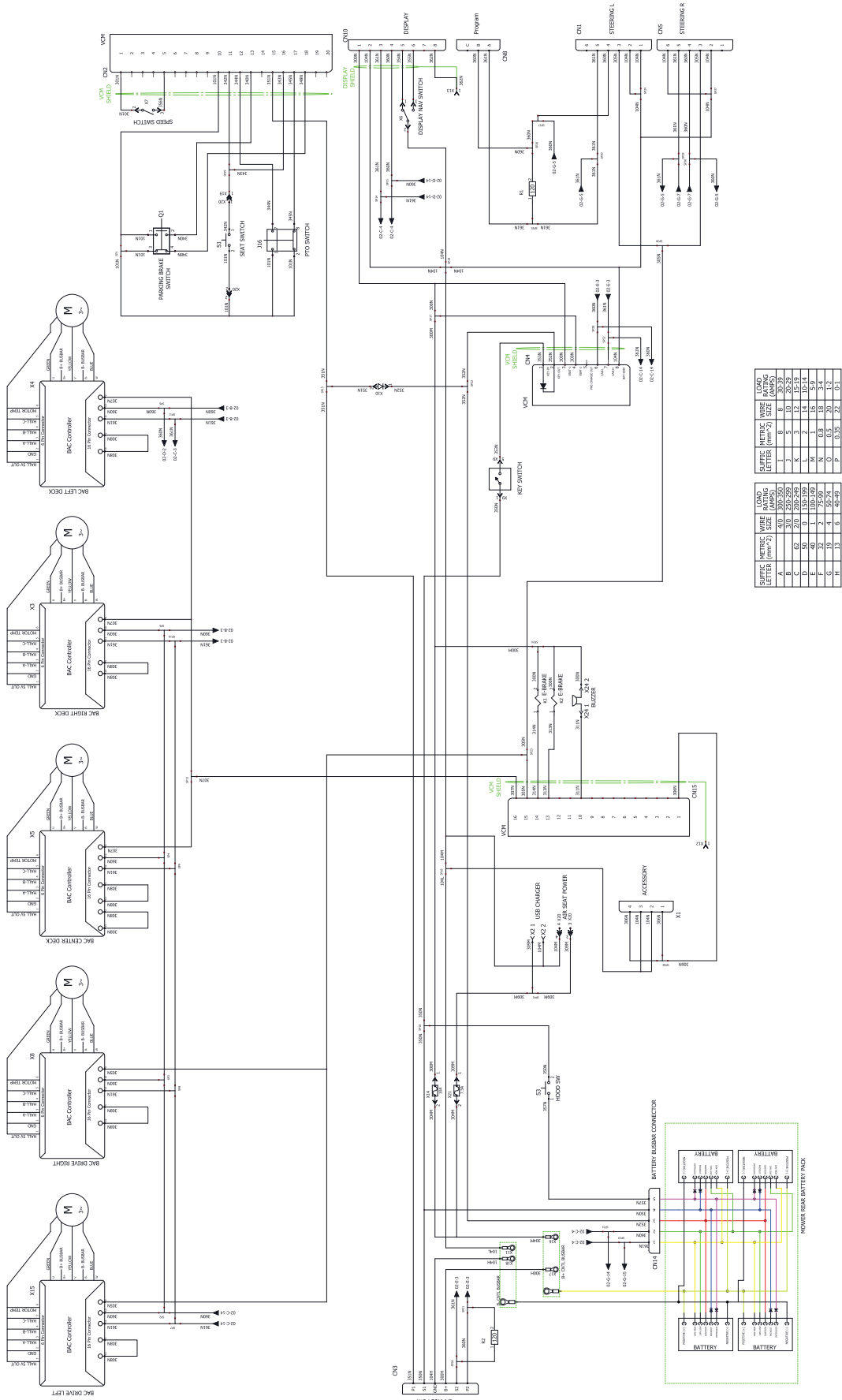
Model All



BOM ID	Number	Qty	Description
1	09171800	1	CHARGER, BATTERY DELTA-Q
2	09199600	1	CORD, POWER US 120V AC
3	09388000	1	FILTER ,EMI, 120/250V,50-60HZ

WIRING DIAGRAM

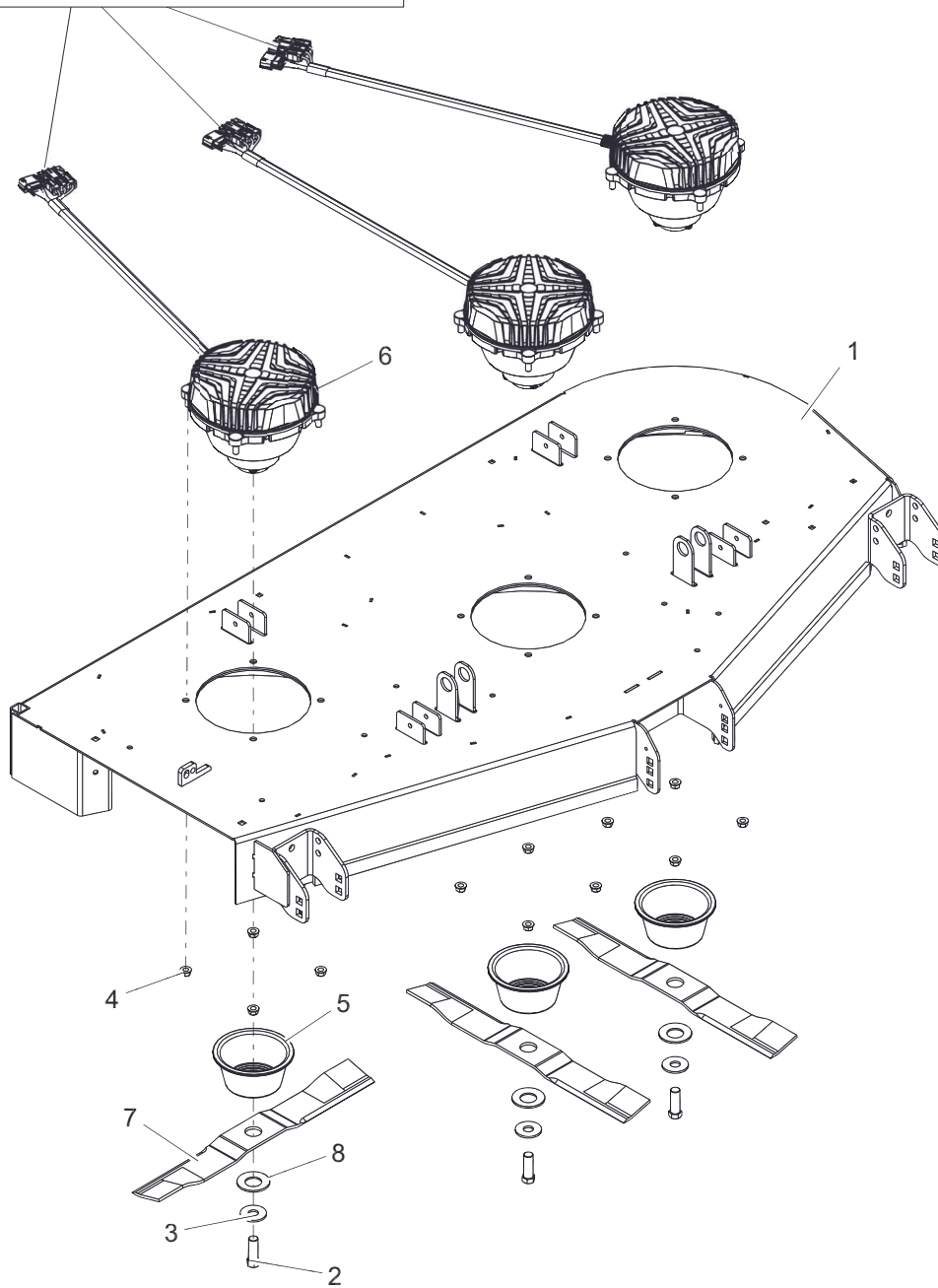
Model All



DECK, BLADES AND SPINDLE MOTORS – SD

Model 997001

Service Numbers:
1-21552701-ADAPTER
1-59700100-KIT,STD SPINDLE BEARING SERVICE



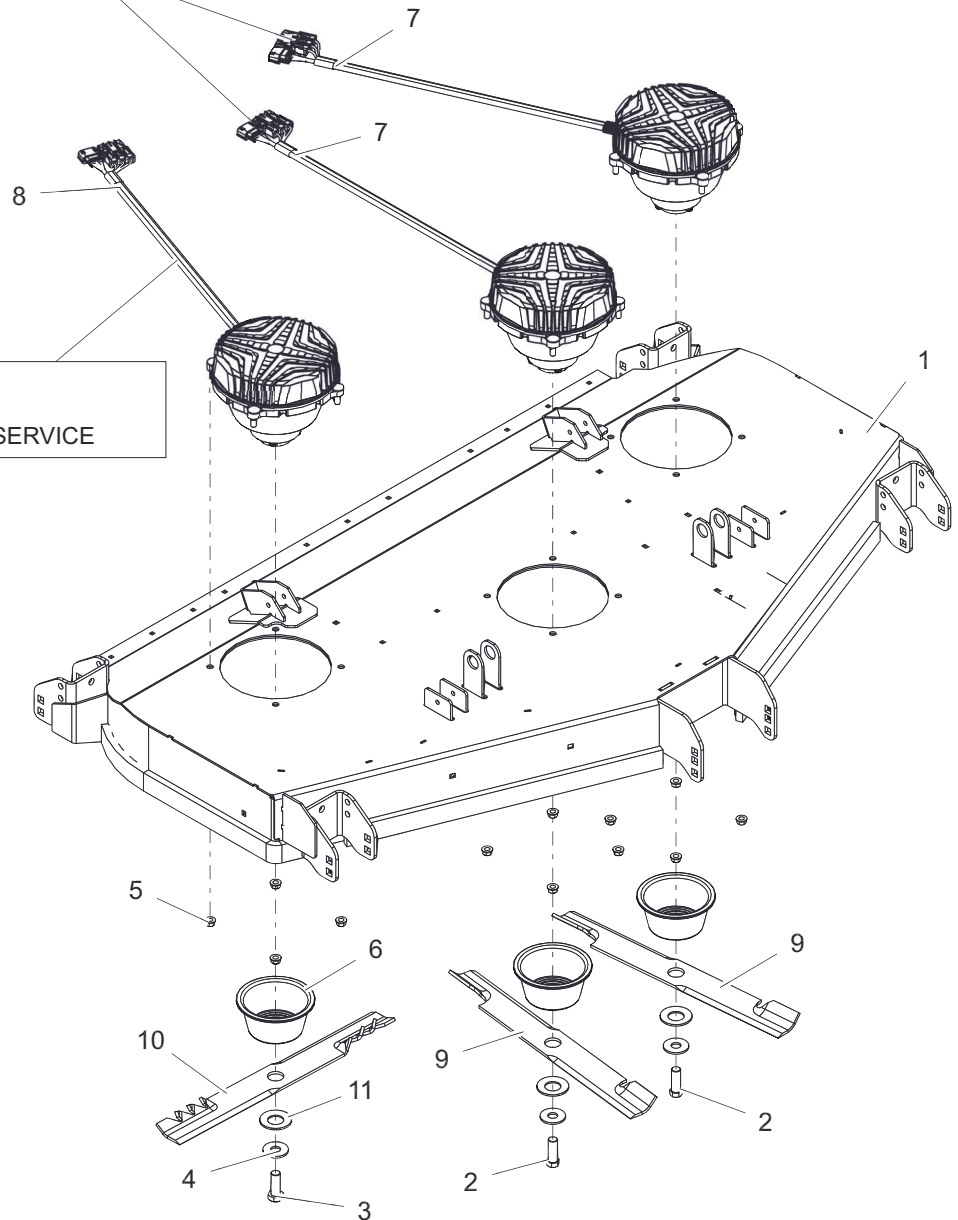
BOM ID	Number	Qty	Description
1	59700400	1	KIT,DECK-60E W/DECALS-GRAVELY
2	05901822	3	BLT, HEX 0.625-18X1.75 GR8 ZCC
3	06401218	3	WSHR, HRDN 0.687X1.75X0.134 HRD
4	06500901	12	NUT, FLG-CTR LK .375-16 GR5 ZC120
5	09163400	3	GUARD, SPINDLE LOWER
6	09182000	3	MOTOR, SPINDLE-CW
7	09182100	3	BLADE, MOWER 20.5"
8	06401217	3	WSHR, BLVL - .56X28.5X3 PHOS.COAT

DECK, BLADES AND SPINDLE MOTORS – RD

Model 997002

Service Numbers:
1-21552701-ADAPTER
1-59700100-KIT,STD SPINDLE BEARING SERVICE

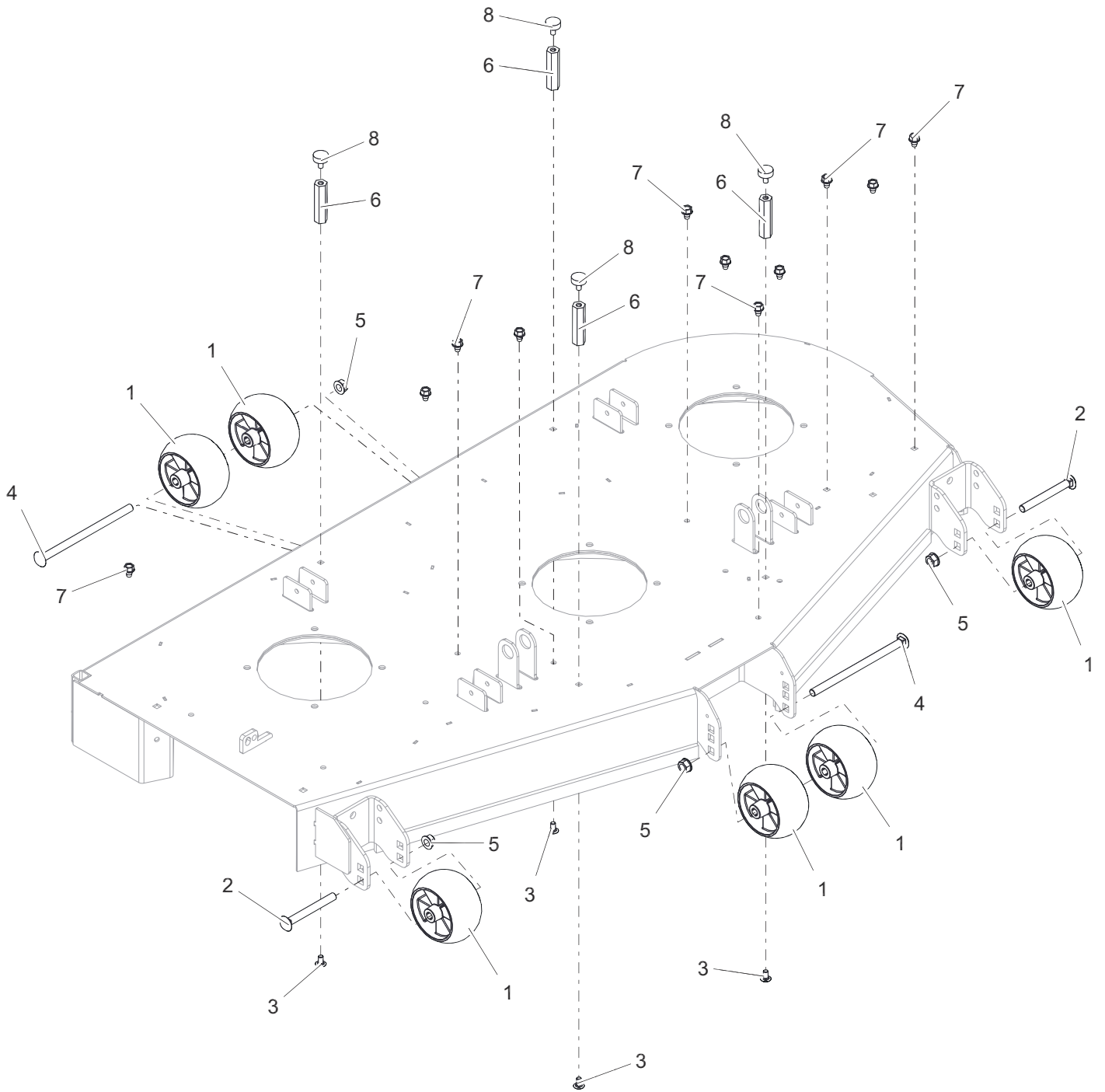
Service Numbers:
1-21552701-ADAPTER
1-59700200-KIT,REV SPINDLE BEARING SERVICE



BOM ID	Number	Qty	Description
1	59700600	1	KIT,DECK-60R W/DECALS-GRAVELY
2	05901822	2	BLT, HEX 0.625-18X1.75 GR8 ZCC
3	05902102	1	BLT, HEX 0.625-11X1.75 GR8 ZCC LH
4	06401218	3	WSHR, HRDN 0.687X1.75X0.134 HRD
5	06500901	12	NUT, FLG-CTR LK .375-16 GR5 ZC120
6	09163400	3	GUARD, SPINDLE LOWER
7	09182000	2	MOTOR, SPINDLE-CW
8	09365000	1	MOTOR, DECK SPINDLE -CCW
9	09372000	2	BLADE, 20.5" EVZT FLAT RD
10	09372100	1	BLADE, MOWER 20.5" TOOTHED CCW
11	06401217	3	WSHR, BLVL - .56X28.5X3 PHOS.COAT

ANTI-SCALP WHEELS – SD

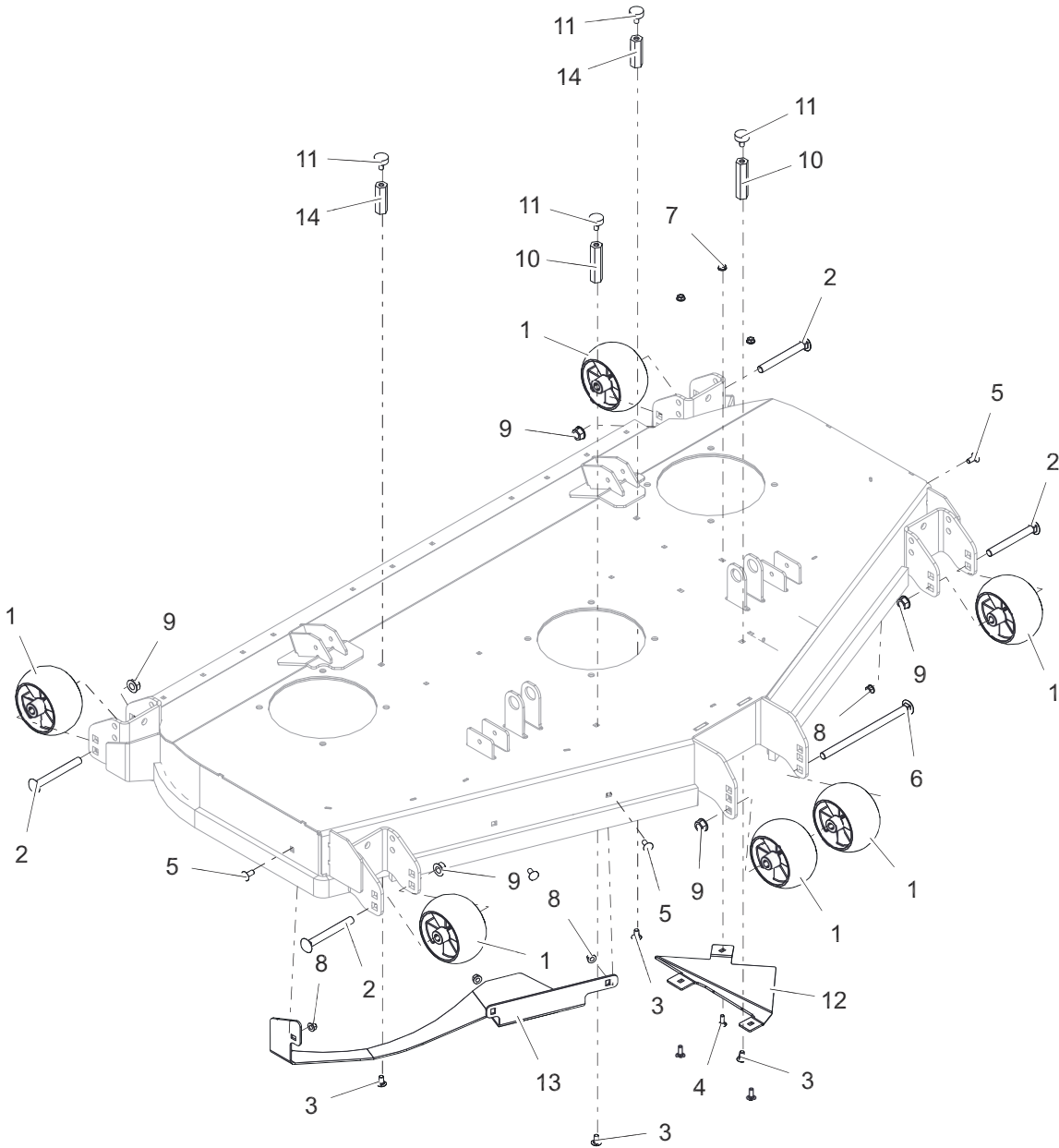
Model 997001



BOM ID	Number	Qty	Description
1	05268800	6	WHEEL, ANTI SCALP - 5X3 CTR W/RIBS
2	06200240	2	BTL,RHSN .500-13 X 4.5 G5 ZCC
3	06200304	4	BTL,RHSSN .313-18 X 0.625 G5 ZCC
4	06200436	2	BTL,RHSN .500-13 X 8.5S G5 ZCC
5	06500902	4	NUT, FLG-CTR LK .500-13 GF ZCC
6	07000027	4	NUT, COUPLING .31-18 X 3.00
7	07400126	11	SCR-TAP .38-16X.500 HWH ZCC
8	07533600	4	BUMPER, RUBBER

ANTI-SCALP WHEELS AND BAFFLES – RD

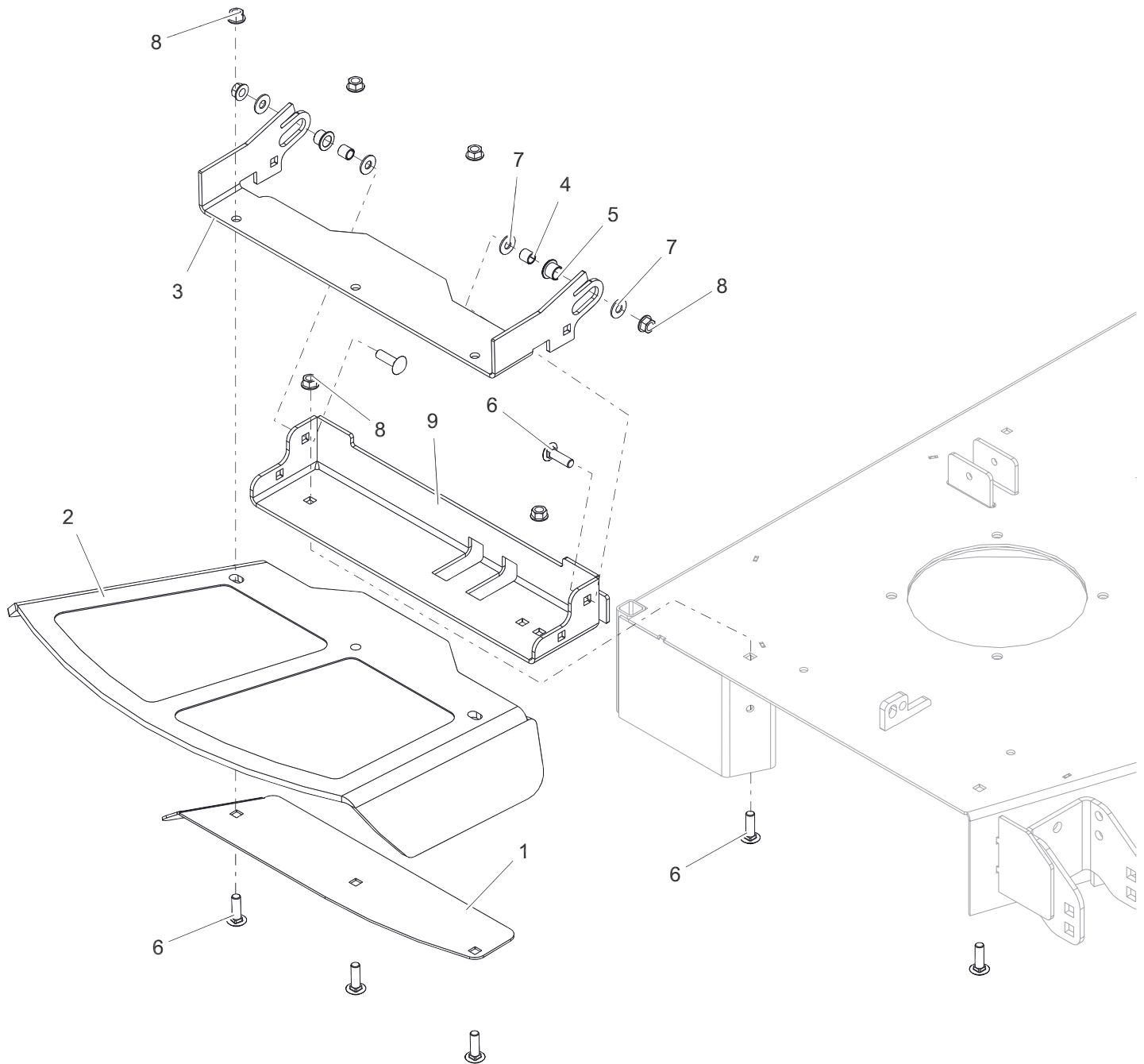
Model 997002



BOM ID	Number	Qty	Description
1	05268800	6	WHEEL, ANTI SCALP - 5X3 CTR W/RIBS
2	06200240	4	BTL,RHSN .500-13 X 4.5 G5 ZCC
3	06200304	4	BTL,RHSSN .313-18 X 0.625 G5 ZCC
4	06200307	3	BTL,RHSN .250-20 X 0.75 G5 ZCC
5	06200309	4	BTL,RHSSN .313-18 X 0.75 G5 ZCC
6	06200436	1	BTL,RHSN .500-13 X 8.5S G5 ZCC
7	06500821	3	NUT, FLG-CTR LK .250-20 GR5 ZC120
8	06500840	4	NUT, FLG-CTR LK .312-18 GR5 ZCC
9	06500902	5	NUT, FLG-CTR LK .500-13 GF ZCC
10	07000027	2	NUT, COUPLING .31-18 X 3.00
11	07533600	4	BUMPER, RUBBER
12	09377253	1	BAFFLE, INSERT TRIANGULAR (RED)
13	09387253	1	DEFLECTOR, BAFFLE BOLT-IN (RED)
14	07001630	2	NUT, .31-18 X 2.25 LG COUPLING

DISCHARGE CHUTE – SD

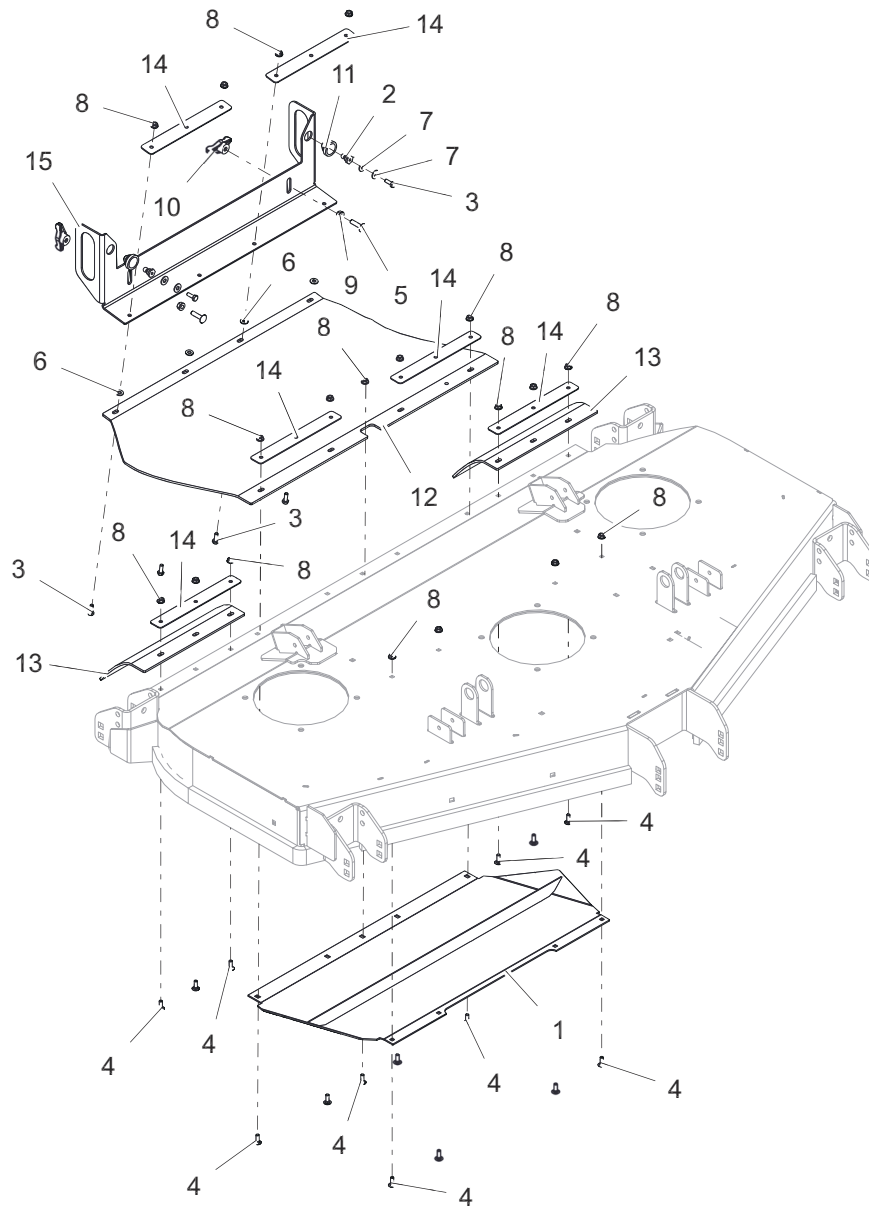
Model 997001



BOM ID	Number	Qty	Description
1	04873753	1	PLATE, 48-60" DISCH CHUTE CLAMP (RED)
2	05269900	1	CHUTE, FORMED RUBBER DISCHARGE
3	05270053	1	BRKT, CHUTE MOUNT (RED)
4	05501407	2	SPCR, .385X.500X.350
5	05501409	2	BSHG, FLANGED .50X.625X.50X.062
6	06200236	7	BTL,RHSSN .375-16 X 1.25 G5 ZCC
7	06401138	4	WSHR, HDND 0.375X0.875X0.064 ZCC
8	06500901	7	NUT, FLG-CTR LK .375-16 GR5 ZC120
9	59116100	1	BASE, DISCHARGE CHUTE MTG BRKT (RED)

DISCHARGE CHUTE – RD

Model 997002



BOM ID	Number	Qty	Description
1	09364753	1	WLDMT, DEFLECTOR BAFFLE (RED)
2	05275900	2	STUD, BALL FEMALE .250-20 THREAD
3	05901716	6	BLT, HEX 0.25-20X0.75 GR5 ZC120
4	06200307	15	BTL,RHSN .250-20 X 0.75 G5 ZCC
5	06200310	2	BTL,RHSSN .313-18 X 1.25 G5 ZCC
6	06401001	4	WSHR-FL-STL 0.281X0.625X0.065 ZC120
7	06401124	4	WSHR-FL-STL 0.312X0.734X0.065 ZCC
8	06500821	19	NUT, FLG-CTR LK .250-20 GR5 ZC120
9	06500840	2	NUT, FLG-CTR LK .312-18 GR5 ZCC
10	07500105	2	KNOB, WING .31-18 UNC NYL/TALC
11	07500429	2	COUPLING, RUBBER PUSH-IN
12	09377500	1	CHUTE, REAR DISCHARGE EV
13	09377600	2	CHUTE, TIRE REAR DISCHARGE
14	09377751	6	PLATE, CHUTE MTG (BLACK)
15	09378653	1	HANDLE, CHUTE MOUNTING (RED)

NOTES



655 West Ryan Street
Brillion, WI 54110

gravelly.com



ARIENS|CO