

Fusioncore™ Offboard Charger

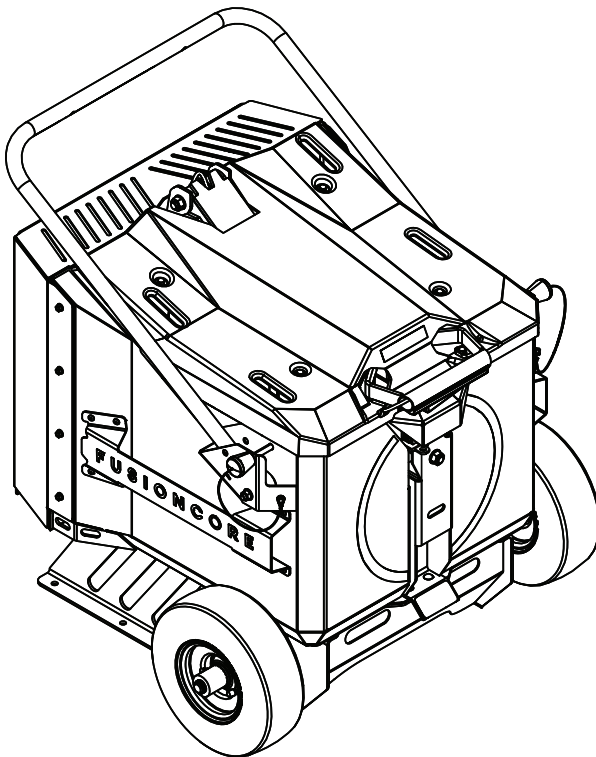
Operator's Manual
Manuel de l'utilisateur



GRAVELLY.

Model

897002 – Fusioncore Offboard Charger
(SN 000101 +)



EN ENGLISH

FR FRANÇAIS

09364000 • 1/21

Printed in USA

TABLE OF CONTENTS

WELCOME	1	Switch Power Cord	10
Register Your Product!	1	110V Charging	11
SAFETY	2	220V Charging	11
Practices & Laws	2	Sleep Mode	12
Required Operator Training	2	MAINTENANCE	12
Safety Alert Symbol	2	Maintenance Schedule	12
Signal Words	2	Check Fasteners	12
Safety Rules	3	Lubricate Unit	12
FEATURES	7	Check Tire Pressure	13
Battery Charger	8	Transporting Unit	13
Battery Busbar	8	Security Tab	14
EMI Filter	8	STORAGE	15
Power Cords	8	Short-Term Storage	15
OPERATION	9	Long-Term Storage	15
Battery Access	9	ACCESSORIES	15
Charger Access	9	SPECIFICATIONS	16
Install Batteries	10	WARRANTY	17
Remove Batteries	10		

WELCOME

Congratulations on your purchase and welcome to the Gravelly family! Every machine in the Gravelly lineup is designed for long-lasting and unsurpassed performance. We are confident your machine will be part of your family for many years to come.

Have Questions or Need Assistance?

www.gravelly.com

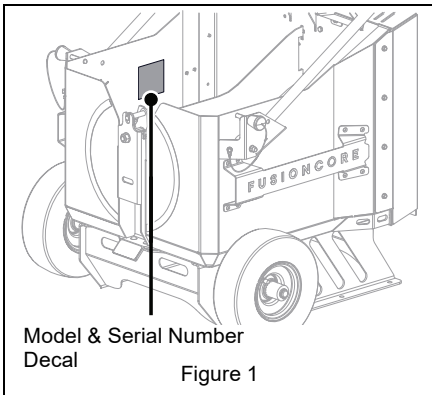
A parts manual for your unit is available for free download or purchase at www.gravelly.com.

Manual del operador español está disponible para su descarga gratuita o compra en www.gravelly.com.

REGISTER YOUR PRODUCT!

It is extremely important to register your product at time of purchase. Product registration activates the warranty and establishes a communication link from AriensCo.

Locate the model and serial number decal on your unit and register those numbers online at www.gravelly.com. See Figure 1 for decal location. Be aware that the original selling dealer may have already completed product registration on behalf of the original purchaser.



Record model number here.

Record serial number here.

MANUALS

Before operating or servicing the unit, carefully and completely read the manuals provided with the unit. They contain safety instructions and important information about unit controls.

Your dealer must review important information in this manual with you before or upon delivery of the unit. It is your responsibility to read and understand all safety precautions and instructions in the manuals. If you do not understand or have difficulty following the instructions, contact an authorized Gravelly dealer for assistance. To locate your nearest Gravelly EV dealer, go to www.gravelly.com.

DISCLAIMER

Gravelly reserves the right to discontinue, make changes to, and add improvements upon its products at any time without public notice or obligation. The descriptions and specifications contained in this manual were in effect at printing. Equipment described in this manual may be optional. Some illustrations may not be applicable to your unit.

SAFETY

Read these safety rules and follow them closely. Failure to follow these rules could lead to loss of control of unit, severe personal injury or death to you or bystanders, or result in damage to property or the unit.

PRACTICES & LAWS

Practice usual and customary safe working precautions. Learn applicable rules and laws in your area. ALWAYS follow the practices set forth in this manual.

REQUIRED OPERATOR TRAINING



Read and understand the Operator's Manual and decals on the unit. This information is for your safety and the proper use of your equipment. Failure to follow these

instructions and warnings may cause death or serious injury. If you have purchased this product from an authorized Gravelly EV dealer, the dealer can provide you with training.

Familiarize yourself and any other operators with all controls and the safe use of the features of this unit. If you loan, rent or sell this product to others, provide them with all manuals.

If you have any questions, please call our customer support line at 920-756-4688 or contact us at www.gravelly.com. Do not use this equipment if, after reading the Operator's Manual and the on-board decals, you have any questions about the safe use of this product.



WARNING: AVOID INJURY. This cutting machine is capable of amputating body parts and throwing objects. Failure to observe the safety instructions in the manuals and on decals could result in serious injury or death.

ALWAYS disengage blades, stop unit, remove key, set parking brake and allow moving parts to stop before leaving operator's position.

SAFETY ALERT SYMBOL



This is the safety alert symbol. It means:

- **ATTENTION!**
- **YOUR SAFETY IS INVOLVED!**

When you see this symbol:

- **BECOME ALERT!**
- **OBEY THE MESSAGE!**

SIGNAL WORDS

The safety alert symbol above and signal words below are used on decals and in this manual. Read and understand all safety messages.

1. Danger



DANGER: Indicates an **IMMINENTLY HAZARDOUS SITUATION!** If not avoided, **WILL RESULT** in death or serious injury.

2. Warning



WARNING: Indicates a **POTENTIALLY HAZARDOUS SITUATION!** If not avoided, **COULD RESULT** in death or serious injury.

3. Caution



CAUTION: Indicates a **POTENTIALLY HAZARDOUS SITUATION!** If not avoided, **MAY RESULT** in minor or moderate injury. It may also be used to alert against unsafe practices.

4. Notice

NOTICE: Indicates information or procedures that are considered important but not hazard related. If not followed, property damage could result.

5. Important

IMPORTANT: Indicates general reference information worthy of special attention.

SAFETY RULES

The following safety instructions are based on the present state of knowledge (B71.4 specifications of the American National Standards Institute and ISO 5395).

This safety information provides guidance on health, safety and environmental aspects of the product and should not be construed as any guarantee of technical performance or suitability for particular applications.

Training
Read, understand and follow all instructions on the machine and in the manual(s) before operating this unit.
Keep the area of operation clear of all persons, particularly small children. Be alert and shut off unit if children enter area.
Complete a walk-around inspection of the unit to understand the unit, your work area and all safety decals.
Understand: <ul style="list-style-type: none">• How to operate all controls• The functions of all controls• How to STOP in an emergency• Braking and steering characteristics• Turning radius and clearances If the operator or the mechanic cannot read the manual, it is the owner's responsibility to explain it to them.
Only allow responsible adults, who are familiar with the instructions, to operate this machine.
ALWAYS train any inexperienced operators and require them to read and understand all manuals and decals.
Only the user can prevent and is responsible for accidents or injuries occurring to themselves, other people or property.
Operator Age
DO NOT allow children under the age of 18 to operate outdoor power equipment.
Local regulations may restrict the age of the operator.
Data indicates operators above age 60 are involved in a large percentage of riding mower-related injuries.
These operators should evaluate their ability to operate the riding mower safely enough to protect themselves and others from serious injury.

Children
Tragic accidents can occur if the operator is not alert to the presence of children. Children are often attracted to the machine and the mowing activity. NEVER assume that children will remain where you last saw them.
Be alert and turn machine off if a child enters the area.
Before and while backing, look behind and down for small children.
NEVER carry children, even with the blade(s) shut off. They may fall off and be seriously injured or interfere with safe machine operation. Children who have been given rides in the past may suddenly appear in the mowing area for another ride and be run over or backed over by the machine.
NEVER allow children to operate the machine.
Use extreme care when approaching blind corners, shrubs, trees, or other objects that may block your view of a child.
Keep children out of the mowing area and in the watchful care of a responsible adult other than the operator.
Keep batteries out of reach of children.
Personal Protection
DO NOT wear loose clothing or jewelry and tie back hair that may get caught in rotating parts.
Wear adequate outer garments.
NEVER wear open sandals or canvas shoes during operation. Wear adequate safety gear, protective gloves and footwear.
Wear proper footwear to improve footing on slippery surfaces.
ALWAYS wear eye and ear protection when operating machine.
Before Operation
Keep all nuts and bolts tight to be sure the equipment is in safe working condition.
Maintain the machine to be in compliance with the maintenance schedule.
Check parking brake operation frequently. Adjust and service as required.

Inspect unit before each use for missing or damaged decals and shields, correctly operating safety interlock system, and deterioration of grass catchers. Replace or repair as needed.
Ensure Safety Interlock System is functioning properly. DO NOT operate unit if safety interlock is damaged or disabled.
NEVER tamper with safety devices. Check their proper operation regularly.
DO NOT clean unit with water. To avoid damage to electrical components and motors, clean unit with compressed air or a dry cloth.
Keep machine free of grass, leaves, or other debris build-up.
To prevent fire hazards, clean the following before each use: <ul style="list-style-type: none"> • Underside of mower deck • Wiring and wiring harnesses • Battery busbar • Controller bay

Operation
Be sure the area is clear of bystanders before operating. Stop machine if anyone enters the area.
ALWAYS maintain unit in safe operating condition.
DO NOT operate machine while feeling tired, ill or under the influence of alcohol or other drugs.
DO NOT put hands or feet near rotating parts or under the machine. Keep clear of the discharge opening at all times.
DO NOT touch parts which are hot. Allow parts to cool.
DO NOT operate machine without the entire grass catcher, discharge guard, or other safety devices in place and working.
ALWAYS keep hands and feet away from all pinch points.
Avoid slippery surfaces. ALWAYS be sure of your footing.
NEVER carry passengers.
NEVER direct discharged material toward anyone. Avoid discharging material against a wall or obstruction. Material may ricochet back toward the operator. Stop the blade(s) when crossing gravel surfaces.

NEVER engage PTO when attachment, including mower blades, is not in use. ALWAYS turn off power to attachment when not in active use such as traveling or crossing driveways.
NEVER engage PTO while raising the attachment, including mower blades, or when attachment is in the raised position.
Keep safety devices or guards in place and functioning properly. NEVER modify or remove safety devices.
DO NOT mow in reverse unless absolutely necessary. ALWAYS look down and behind before and while backing.
Slow down before turning.
If you strike a foreign object, stop and inspect the machine. Repair, if necessary, before restarting.

Operation Conditions
Lightning can cause severe injury or death. If lightning is seen or thunder is heard in the area, do not operate the machine; seek shelter.
Avoid dangerous environments. DO NOT operate the mower in rain or wet grass. To reduce the risk of electrical component damage, do not expose to water or operate on wet ground.
ALWAYS check overhead and side clearances carefully before operation.
Watch for traffic when operating near or crossing roadways.
Clear the area of objects such as rocks, wire, toys, etc., which could be thrown by the blades.
Check for weak spots on docks, ramps or floors. Avoid uneven work areas and rough terrain. Stay alert for hidden hazards or traffic.
Use care when approaching blind corners, shrubs, trees or other objects that may obscure vision.
Dust, smoke, fog, etc. can reduce vision and cause an accident.
Operate machine only in daylight or good artificial light.

Slope Operation
Slopes are a major factor related to loss of control and tip-over accidents, which can result in severe injury or death. Operation on all slopes requires extra caution. If you cannot back up the slope or if you feel uneasy on it, DO NOT mow it.
DO NOT operate on slopes of more than 15°.
Mow up and down slopes, not across.
Watch for holes, ruts, bumps, rocks, or other hidden objects. Uneven terrain could overturn the machine. Tall grass can hide obstacles.
DO NOT mow on moist or wet grass. Tires may lose traction causing a loss of control.
Use extra care while operating machine with grass catchers or other attachments; they can affect the stability of the machine. DO NOT use on steep slopes.
Keep all movements on the slope <i>slow</i> and <i>gradual</i> . DO NOT make sudden changes in speed or direction, which could cause the machine to roll over.
Avoid starting, stopping, or turning on a slope. If the tires lose traction, disengage the blade(s) and proceed slowly straight down the slope.
Operation on slopes may lead to loss of steering control. When operating on slopes be prepared to react to an emergency situation: <ul style="list-style-type: none"> • Return steering levers to neutral position. • Immediately set parking brake.
DO NOT try to stabilize the machine by putting your foot on the ground.
DO NOT park on slopes unless necessary. When parking on slope, ALWAYS chock or block wheels. ALWAYS set parking brake.
Choose a low ground speed so you will not have to stop or shift while on a slope.
DO NOT operate near drop-offs, ditches, or embankments. Unit can suddenly turn over if a wheel is over the edge of a cliff or ditch, or if an edge caves in.
DO NOT override electric brake to free wheel when on a slope.

Towing/Transporting
Follow the manufacturer's recommendations for weight limits for towed equipment and towing on slopes.
NEVER allow children or others in or on towed equipment.
Tow only with a machine that has a hitch designed for towing. DO NOT attach towed equipment except at the hitch point.
On slopes, the weight of the towed equipment may cause loss of control.
Travel slowly and allow extra distance to stop.
Towing the unit is not recommended.

Accessories
Use only attachments recommended by AriensCo that are appropriate to your use and can be used safely in your application.
Follow the manufacturer's recommendation for wheel weights or counterweights
Check grass catcher components and the discharge guard frequently and replace with the manufacturer's recommended parts, when necessary.

Rollover Protection System (ROPS)
Frequently inspect ROPS and seat belt for damage or loose hardware.
Use extreme care when working close to fences, ditches, or on hills.
Check overhead clearance carefully before driving under any objects.
ALWAYS wear seat belt while operating the unit with the ROPS in the upright position.
Only lower ROPS for transport.
DO NOT wear a seat belt while operating the unit with the center bar in the lowered position.
DO NOT weld, cut, drill or modify ROPS in any manner unless instructed by the manufacturer.

Service

The use of non-genuine replacement parts or accessories could adversely affect machine operation and safety.

Maintain or replace safety and instruction labels, as necessary.

ALWAYS remove all batteries before performing any service or maintenance.

Keep unit free of debris.

ALWAYS block wheels and know all jack stands are strong and secure and will hold weight of unit during maintenance.

Release any pneumatic pressure from components slowly.

Lower cutting deck unless a positive mechanical lock is used.

NEVER weld or straighten mower blades.

Mower blades are sharp. Wrap the blade or wear gloves, and use extra caution when servicing them.

Electrical service is to be done by trained professionals only.

Transporting Unit

Use extra care when loading or unloading the machine into a trailer.

Secure unit chassis to transport vehicle. NEVER secure from rods or linkages that could be damaged.

Battery Handling and Use

Batteries when abused may pose fire, explosion and severe burn hazard. Handle with caution.

DO NOT touch any live connections.

Avoid transportation or mechanical impact that may physically damage batteries.

DO NOT expose batteries to temperatures lower than -20° C (-4° F) or above 55° C (130° F) as it will impact the battery life cycle.

Battery terminals should only be cleaned with compressed air or a dry cloth prior to insertion into the machine.

DO NOT use batteries which are not designed for use with the equipment.

Battery Storage

Avoid storage in direct sunlight.

Store batteries in a clean, dry location.

DO NOT charge batteries to 100% state of charge (SOC) when storing for a long duration. Charge to less than 80% SOC.

Battery Disposal

Contact an authorized Gravelly EV dealer to recycle your battery. Do not dispose in household or commercial waste bin.

Discharge within the temperature limits of the battery. See *Battery Handling and Use* on page 6.

FEATURES

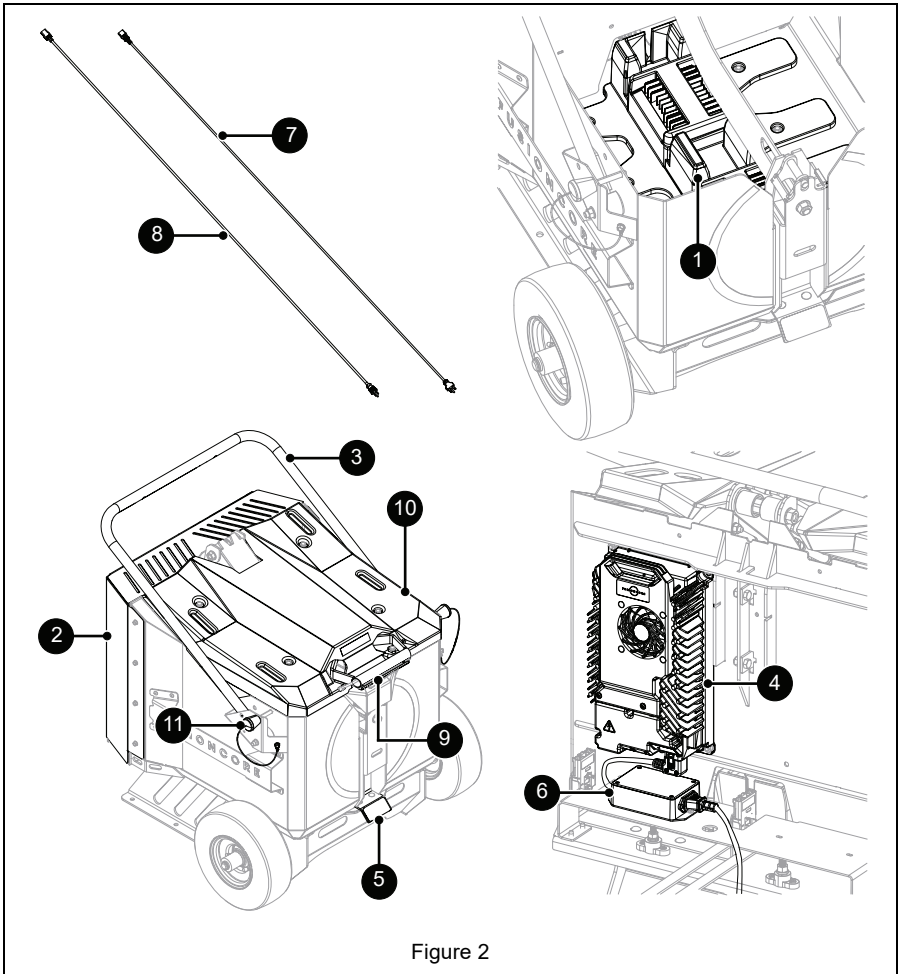


Figure 2

- | | |
|--|----------------------|
| 1. Battery Busbar | 7. 110V Power Cord |
| 2. Rear Access Panel | 8. 220V Power Cord |
| 3. Pivot Handle | 9. Hood Latch |
| 4. Battery Charger | 10. Hood Assembly |
| 5. Footstop | 11. Magnetic Pin (2) |
| 6. Electromagnetic Interference (EMI) Filter | |



WARNING: AVOID INJURY.
Read and understand the entire *Safety* section before proceeding.

See Figure 2 for all controls and features locations.

BATTERY CHARGER

See Figure 3.

Provides power to the battery pack.

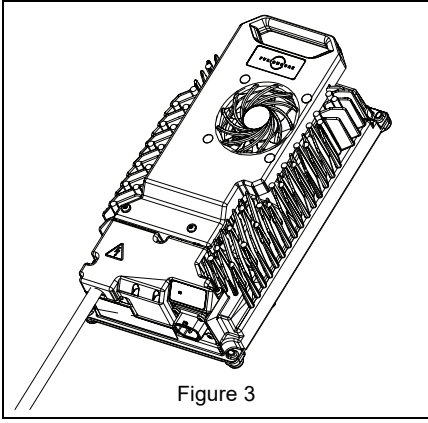


Figure 3

BATTERY BUSBAR

See Figure 4.

IMPORTANT: AVOID DAMAGE! Batteries must be carefully inserted vertically into busbar with battery connection pins facing the center of the machine. **DO NOT** drag batteries across busbar fins to position.

Provides a connection point from the batteries to the charger.

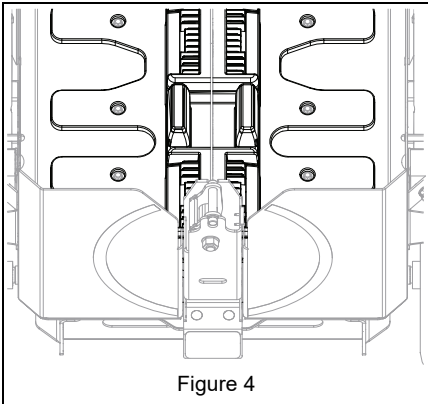


Figure 4

EMI FILTER

See Figure 5.

Reduces electromagnetic noise that may cause interference with electric components.

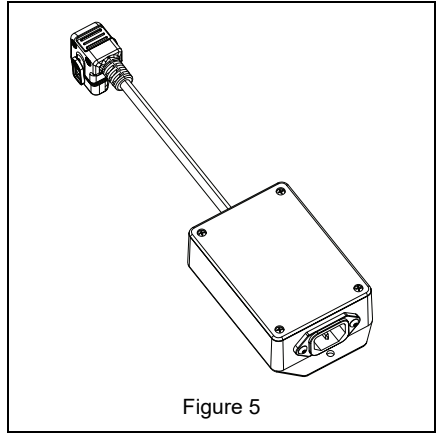


Figure 5

POWER CORDS

See Figure 6.

110V Power Cord

Provides 110V of power to main electrical supply.

220V Power Cord

Provides 220V of power to main electrical supply.

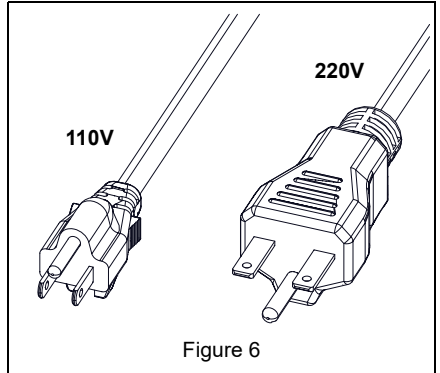


Figure 6

OPERATION



WARNING: AVOID INJURY.
Read and understand the *Safety* section before proceeding.

BATTERY ACCESS

1. Squeeze handle to unlatch and lift hood assembly. See Figure 7.

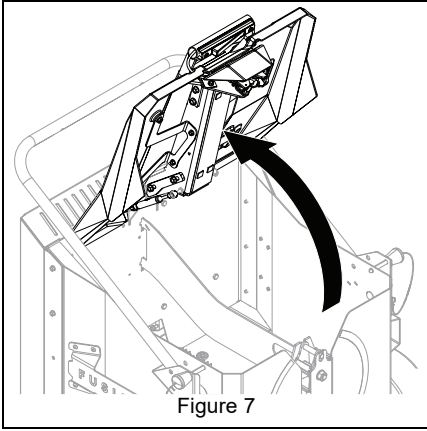


Figure 7

CHARGER ACCESS

Remove Access Panel

NOTICE: There is no need to remove the access panel unless adding a second charger kit or changing power source cords.

1. Remove and retain four tapping screws from each side of access panel. See Figure 8.

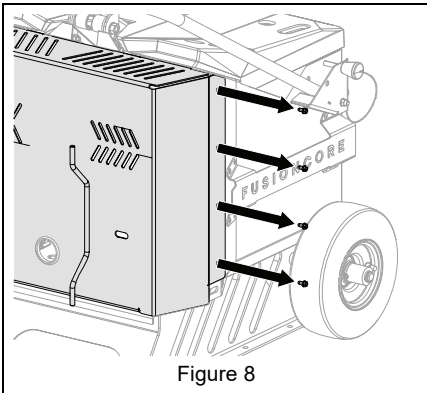


Figure 8

See Figure 9.

2. Squeeze handle to unlatch and lift hood assembly. See *Battery Access* on page 9.
3. Remove and retain two tapping screws located at the top of the panel.

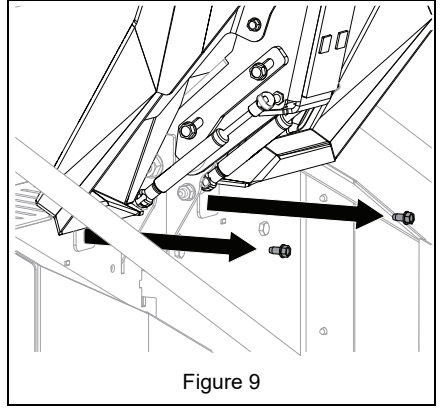


Figure 9

4. Pull access panel handles up and then rearward to remove panel. See Figure 10.

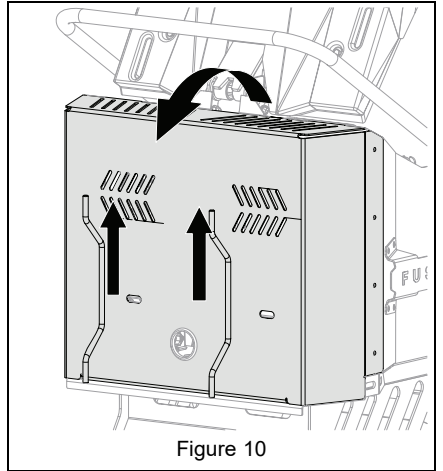


Figure 10

Reinstall Rear Access Panel

See Figure 11.

1. Route power cord through hole in access panel.
2. Align access plate with holes in frame.

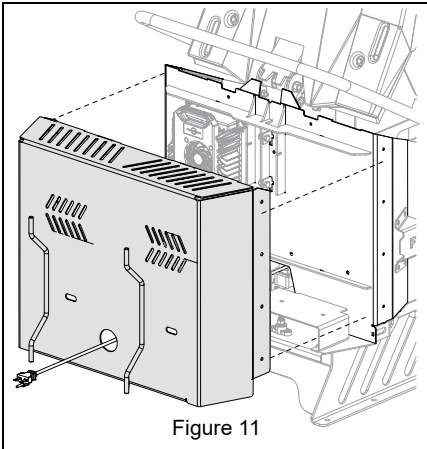


Figure 11

3. Reinstall two tapping screws at top of panel.
4. Close hood assembly and ensure handle is securely latched.
5. Reinstall four tapping screws in each side of panel.

INSTALL BATTERIES

1. Squeeze handle to unlatch and lift hood assembly. See *Battery Access* on page 9. See Figures 12 and 13.

2. Insert batteries into the busbar until fully seated. If properly installed, LED lights will illuminate, confirming recognition of software.

NOTICE: AVOID DAMAGE! Batteries must be carefully inserted vertically into busbar with battery connection pins facing the center of the unit. **DO NOT** drag batteries across busbar fins to operate. **DO NOT** lean on the hood while removing or installing batteries.

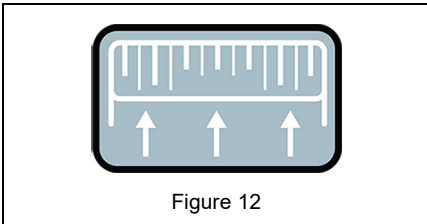


Figure 12

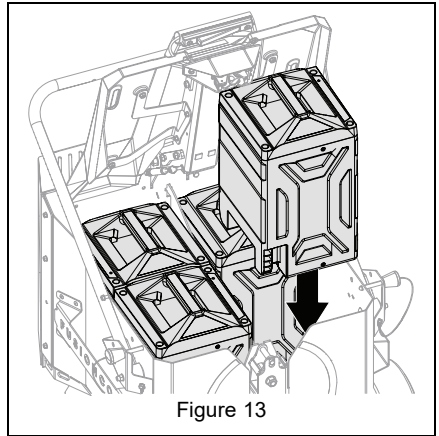


Figure 13

3. Close hood assembly and ensure handle is securely latched.

REMOVE BATTERIES

1. Squeeze handle to unlatch and lift hood assembly. See *Battery Access* on page 9.
2. Vertically lift batteries from busbar.

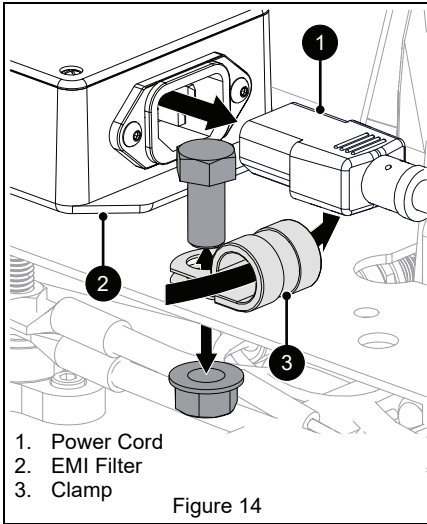
SWITCH POWER CORD

IMPORTANT: Unit ships ready to connect to 110V power outlet. If 220V is preferred, follow *Switch Power Cord* instructions:

1. Remove access panel. See *Remove Access Panel* on page 9.

See Figure 14.

2. Remove and retain hardware securing clamp to ground separation plate.
3. Remove clamp from power cord. Retain for reinstallation.
4. Remove power cord. See *110V Charging* on page 11 to install 110V power cord or see *220V Charging* on page 11 to install 220V power cord.



110V CHARGING

IMPORTANT: Unit ships ready to connect to 110V power outlet. If 220V is preferred, cord must be switched. See *Switch Power Cord* on page 10.

1. Correctly install one to four batteries in offboard charger. See *Install Batteries* on page 10.
2. Move offboard charger to a well ventilated area within reach of a 110V wall outlet.

IMPORTANT: If switching from 220V to 110V charger, reference see *220V Charging* on page 11 for clamp and access panel installation.

3. Connect power cord to 110V wall outlet.

IMPORTANT: Avoid using electrical extension cord. If an extension cord must be used, use one that is UL listed or CSA certified, rated for a minimum of 13 amps, grounded and labeled as suitable for outdoor use.

4. Continue to charge battery or batteries until fully charged. Refer to the Operator's Manual supplied with your mower to check remaining charge time.
5. Disconnect power cord from wall outlet.

IMPORTANT: Refer to the Operator's Manual supplied with your mower for additional cautions, operation instructions and troubleshooting error codes.

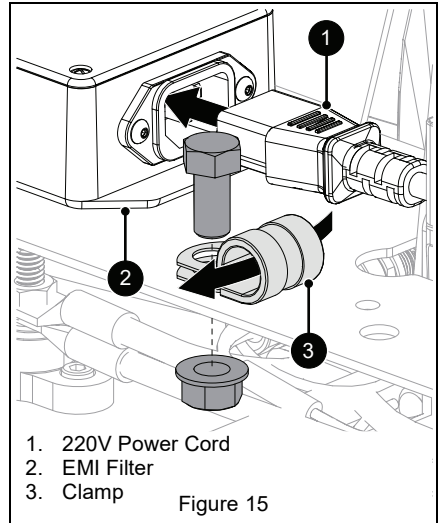
220V CHARGING

IMPORTANT: Unit ships ready to connect to 110V power outlet. If 220V is preferred, cord must be switched. See *Switch Power Cord* on page 10.

1. Correctly install one to four batteries in offboard charger. See *Install Batteries* on page 10.
2. Move offboard charger to a well ventilated area within reach of a 220V wall outlet.

See Figure 15.

3. Connect power cord to EMI filter.
4. Position clamp on power cord and secure clamp and cord to ground separation plate using hardware just removed.



5. Reinstall access panel. See *Reinstall Rear Access Panel* on page 9.
6. Connect power cord to 220V wall outlet.

IMPORTANT: Avoid using electrical extension cord. If an extension cord must be used, use one that is UL listed or CSA certified, rated for a minimum of 13 amps, grounded and labeled as suitable for outdoor use.

7. Continue to charge battery or batteries until fully charged. Refer to the Operator's Manual supplied with your mower to check remaining charge time.
8. Disconnect power cord from wall outlet.

IMPORTANT: Refer to the Operator's Manual supplied with your mower for additional cautions, operation instructions and troubleshooting error codes.

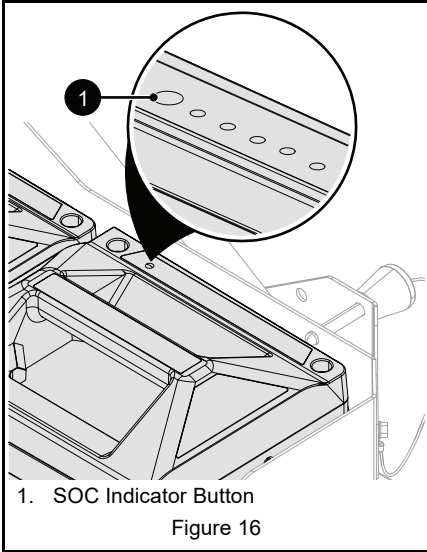
SLEEP MODE

IMPORTANT: Refer to the Operator's Manual supplied with your mower for additional sleep mode instructions.

Batteries enter sleep mode after an extended period of inactivity or when battery balancing is complete.

Wake Batteries

Wake batteries from sleep mode by opening the hood assembly or pressing SOC indicator button (see Figure 16). See *Battery Access* on page 9.



MAINTENANCE



WARNING: AVOID INJURY.
Read and understand the *Safety* section before proceeding.

MAINTENANCE SCHEDULE

NOTICE: DO NOT clean unit with water. To avoid damage to electrical components, clean unit with compressed air or a dry cloth.

Service Performed	Each Use	Each 50 hrs.	Every 100 hrs.
Clean Battery Busbar	•		
Clean Battery Terminals	•		
Inspect Wiring and Wire Harnesses	•		
Inspect Batteries and Busbar Interfaces for Damage	•		
Check Tire Pressure	•		
Check Fasteners			•
Lubricate Unit		•	

CHECK FASTENERS

Check for loose or missing hardware.

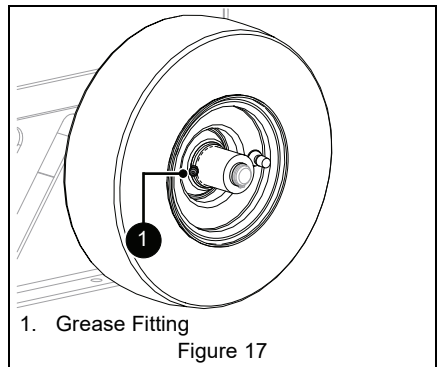
LUBRICATE UNIT

1. Apply oil to all pivot points and pin connections.

Lubricate Wheel Bearings

See Figure 17.

1. Apply grease until it squeezes out of the bearing.



CHECK TIRE PRESSURE

See *Specifications* on page 16 for recommended tire pressure.



WARNING: AVOID INJURY. Explosive separation of tire and rim parts is possible.

- DO NOT inflate tires above the recommended pressure.
- DO NOT inflate tires with a compressor; use a hand pump.
- DO NOT stand in front of tire assembly when inflating. Use a clip-on chuck and extension hose long enough to allow you to stand to one side.

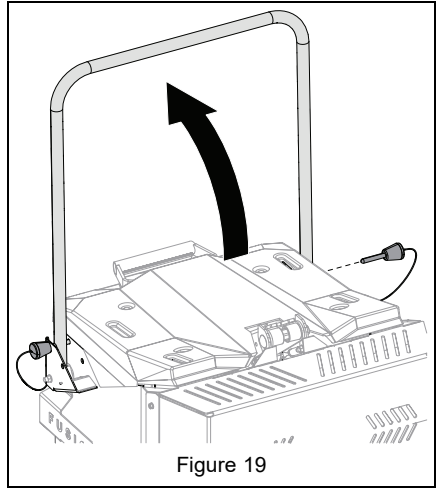


Figure 19

TRANSPORTING UNIT



WARNING: DO NOT transport without pivot handle pins installed into the upright position.

Transport Position

1. Remove pins from bracket. See Figure 18.

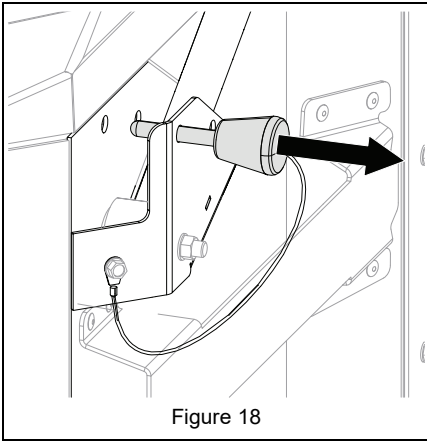


Figure 18

See Figure 19.

2. Rotate pivot handle to the upright position and align handle with holes in bracket.
3. Reinstall pins into pivot handle holes.

4. Place foot on footstop for leverage and tip unit back to transport. See Figure 20.

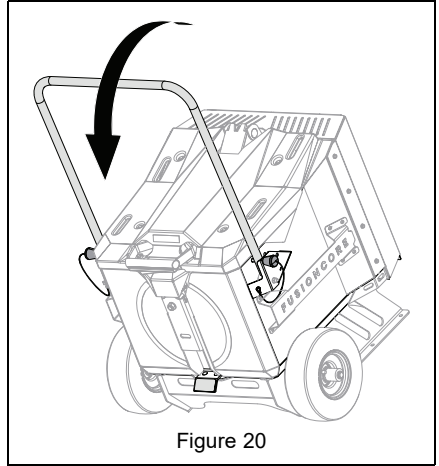


Figure 20

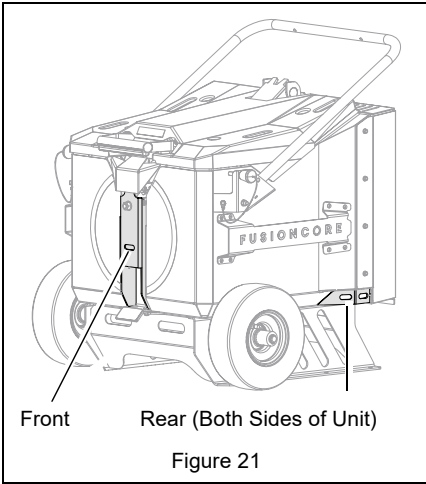
5. Return handle to operating position.

Tie-Down Points



WARNING: NEVER secure from rods or linkages that could be damaged.

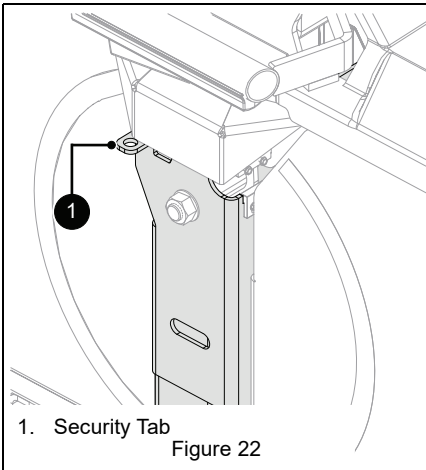
1. Tie unit down securely using straps, chains, cable or ropes. Both front and rear straps should be directed and outward from the unit. See Figure 21.



SECURITY TAB

IMPORTANT: Cable security lock not supplied by AriensCo.

1. To prevent battery theft, install cable lock onto security tab and secure cable around hood latch to prevent hood from opening. See Figure 22.



STORAGE

SHORT-TERM STORAGE

NOTICE: DO NOT clean unit with water. To avoid damage to electrical components, clean unit with compressed air or a dry cloth.

1. Allow unit to cool and clean with compressed air or a dry cloth.
2. Tighten all hardware to correct specifications.
3. Inspect unit for visible signs of wear or damage. Repair as needed.
4. Store unit in a cool, dry, protected area. DO NOT store charger outdoors.

LONG-TERM STORAGE

1. Perform short-term storage procedures.
2. Lubricate as directed in *Maintenance* on page 12.
3. Touch-up all scratched painted surfaces.
4. Store unit in a cool, dry, protected area. DO NOT store unit outdoors.
5. Follow the recommended battery storage temperatures:
 - *3 Months:* DO NOT store batteries in temperatures lower than -20° C (-4° F) or above 45° C (113° F).
 - *12 Months:* DO NOT store batteries in temperatures lower than -20° C (-4° F) or above 20° C (68° F).

NOTICE: After extended periods of storage, it may be necessary to charge and discharge batteries at least three times to obtain maximum performance.

ACCESSORIES

Contact an authorized Gravelly EV dealer for a complete list of compatible accessories and attachments for your unit.

Description	Part No.
Second Charger Kit – 110V / 220V	79700100
EV Battery (1 Pack) Kit	89700100

SPECIFICATIONS

Model Number	897002
Description	Fusioncore Offboard Charger
Size and Weight	
Length – cm (in)	79.5 (31.3)
Width – cm (in)	81.3 (32.0)
Height (Handle Up) – cm (in)	120.7 (47.5)
Height (Handle Down) – cm (in)	86.9 (34.2)
Weight (With Batteries) – kg (lbs)	191.9 (423)
Weight (Without Batteries) – kg (lbs)	95.7 (211)
Tires	
Tire Size – in	11 x 4-5
Recommended Tire Pressure – kPa (psi)	262.0 – 317.2 (38 – 46)



GRAVELY

Electric Outdoor Power Equipment Limited Warranty

AriensCo warrants to the original purchaser that Gravely brand products purchased on or after 1/1/2021 will be free from defects in material and workmanship for the time period noted in the chart below.

If any product is rented or leased, then the duration of these warranties shall be 90 days after the date of purchase.

An authorized Gravely EV dealer will repair any defect in material or workmanship, and repair or replace any defective part, subject to the conditions, limitations and exclusions set forth herein. Such repair or replacement will be free of charge (labor and parts) to the original purchaser; except as noted below. Pick-up and delivery are at the owner's expense.

The warranty code is found on the model and serial number identification label on the mower, off-board battery charger or serialized battery.

Warranty Code	Product Group	Warranty Period
AC	Batteries	3 Years.
AD	Off-Board Battery Chargers	5 Years.
EA	Pro-Turn EV Mowers	5 Years or 1500 Hours, Whichever Comes First. No Hour Limit for First 2 Years.

Special Limitations

The charts below detail special limitations to this warranty.

Warranty Term Limitations	Warranty Period
Cloth, plastic and rubber components, mower blades and tires.	Components are covered for manufacturer's defect only, not wear.
Digital display panel and electric failsafe parking brake.	2 Years.
Traction drive gear oil.	Oil is covered for warranty repairs only, not maintenance.

Exclusions – Items Not Covered by This Warranty

- Parts that are not genuine Gravely service parts are not covered by this warranty and may void the warranty if the parts result in premature wear or damage to the product.
- Damages resulting from the installation or use of any part, accessory, or attachment which is not approved by the AriensCo for use with product(s) identified herein are not covered by this warranty.
- Any misuse, alteration, improper assembly, improper adjustment, neglect, or accident which requires repair is not covered by this warranty.
- **Any tampering with the hour meter voids any and all warranties.**
- Products are designed to the specifications in the area that the product was originally distributed. Different areas may have significantly different legal and design requirements. This warranty is limited to the requirements in the area in which the unit was originally distributed. AriensCo does not warrant this product to the requirements of any other area. Warranty service is limited to service within the area originally distributed.
- In countries other than the United States and Canada, contact the AriensCo dealer for warranty policies that govern within your country. Rights may vary from country to country and within any one country.

Parts and Accessories

Service replacement parts and non-serialized accessories are warranted for 90 days from date of purchase. Labor is not included.

Customer Responsibilities

Register the product immediately at the time of sale. If the dealer does not register the product, the customer must register the unit on-line at www.gravelly.com.

To obtain warranty service, the **original purchaser** must:

- Ensure that the maintenance and adjustments explained in the Operator's Manual are routinely completed.
- Promptly notify AriensCo or an authorized Gravelly EV dealer of the need for warranty service.
- Transport the product to and from the place of warranty service at owner's expense.
- Have the warranty service performed by an authorized Gravelly EV dealer.

To find an authorized dealer use the dealer locator on our websites, or contact us by mail or phone.

Globally except Australia or New Zealand:	Australia:	New Zealand:
AriensCo 655 W. Ryan Street Brillion, WI 54110 Phone: (920) 756 - 4688 www.gravelly.com	Masport Australia Pty Ltd 27 Commercial Drive Dandenong South Victoria 3175 Australia Phone: 1300 366 225 www.masport.com.au	Masport Ltd 1-37 Mt. Wellington Highway, Panmure, Auckland 1060 New Zealand Phone: 0800 627 7678 www.masport.co.nz

Disclaimer

AriensCo may from time to time change the design of its products. Nothing contained in this warranty shall be construed as obligating the AriensCo to incorporate such design changes into previously manufactured products, nor shall such changes be construed as an admission that previous designs were defective.

Limitation of Remedy and Damages

AriensCo liability under this warranty, and under any implied warranty that may exist, is limited to repair of any defect in workmanship, and repair or replacement of any defective part. AriensCo shall not be liable for incidental, special, or consequential damages (including lost profits). Some states do not allow the exclusion of incidental or consequential damages, so the above limitation or exclusion may not apply to you.

AriensCo shall not be held liable for damages, including premature wear and tear, or injuries caused by installation of unauthorized parts and accessories or for parts and accessories not installed by an authorized Gravelly dealer.

Australian Consumer Law

The following applies solely to warranties subject to Subsection 102(1) of the Australian Consumer Law: Our goods come with guarantees that cannot be excluded by the Australian Consumer Law. You are entitled to a replacement or refund for a major failure and for compensation for any other reasonably foreseeable loss or damage. You are also entitled to have the goods repaired or replaced if the goods fail to be of acceptable quality and failure does not amount to a major failure.

Disclaimer of Further Warranty

AriensCo makes no warranty, express or implied, other than what is expressly made in this warranty. If the law of your state provides that an implied warranty of merchantability, or an implied warranty of fitness for particular purpose, or any other implied warranty, applies to AriensCo then any such implied warranty is limited to the duration of this warranty. Some states do not allow limitations on how long an implied warranty lasts, so the above limitation may not apply to you.

This warranty gives you specific legal rights, and you may also have other rights which vary from region to region.



GRAVELLY

655 West Ryan Street
Brillion, WI 54110

www.gravelly.com



WARNING: Cancer
and Reproductive Harm -
www.P65Warnings.ca.gov

ARIENS | CO

