



- NOTES:
UNLESS OTHERWISE SPECIFIED
- HARNES TO FOLLOW SPECIFICATION NOTED WITHIN ARIENS HARNES STANDARD 00930600.
 - HARNES MANUFACTURER TO DETERMINE APPROPRIATE SPLICE LOCATIONS.
 - TERMINALS TO BE SELECTED PER PART NUMBER OR EQUIVALENT.
 - HARNES MANUFACTURE TO PRINT WIRE NUMBER AND FUNTION CODE EVERY 2 INCHES ON WIRES.
 - ALL CONNECTOR VIEWS ARE OF WIRE INSERTION END.
 - ALL WIRES TO BE GXL.
 - APPLY DIELECTRIC GREASE TO ALL UNSEALED CONNECTORS.
 - LOOM TO BE NYLON WOVEN LOOM

EFI ENG CONN
X1 APTIV 15326084

LOCATION	TERMINAL	WIRE NUMBER	FUNCTION
A	15305170		
B	15305171		
C	12191819	1002-18GX-BKWH	SV GND
D	12191819	1713-18GX-GN	THROTTLE
E	12191819	1400-18GX-RD	REG SV
F	12191819	1710-18GX-GY	MG KL
G	12191819	1207-18GX-RD	CNTRL PWR
H	15305170		
J	15305170		
K	12191819	1745-16TXL-RD	ENG SOL
L	15305171		
M	12191819	1003-18GX-TN	MIL LT LSD
N	12191819	1744-18GX-BU	OIL LT
Q	15305171		
R	15305171		
S	15305170		

TPA: DELPHI 15326059
WIRE SEAL: DELPHI 15366060

R1 SHAANKI HUAXING RESISTOR R215-1/2W-3.3K

LOCATION	TERMINAL	WIRE NUMBER	FUNCTION
		1207-18GX-RD	CNTRL PWR
		1003-18GX-TN	MIL LT LSD

MIL LT (GND)
X2 TE 2-520183-2

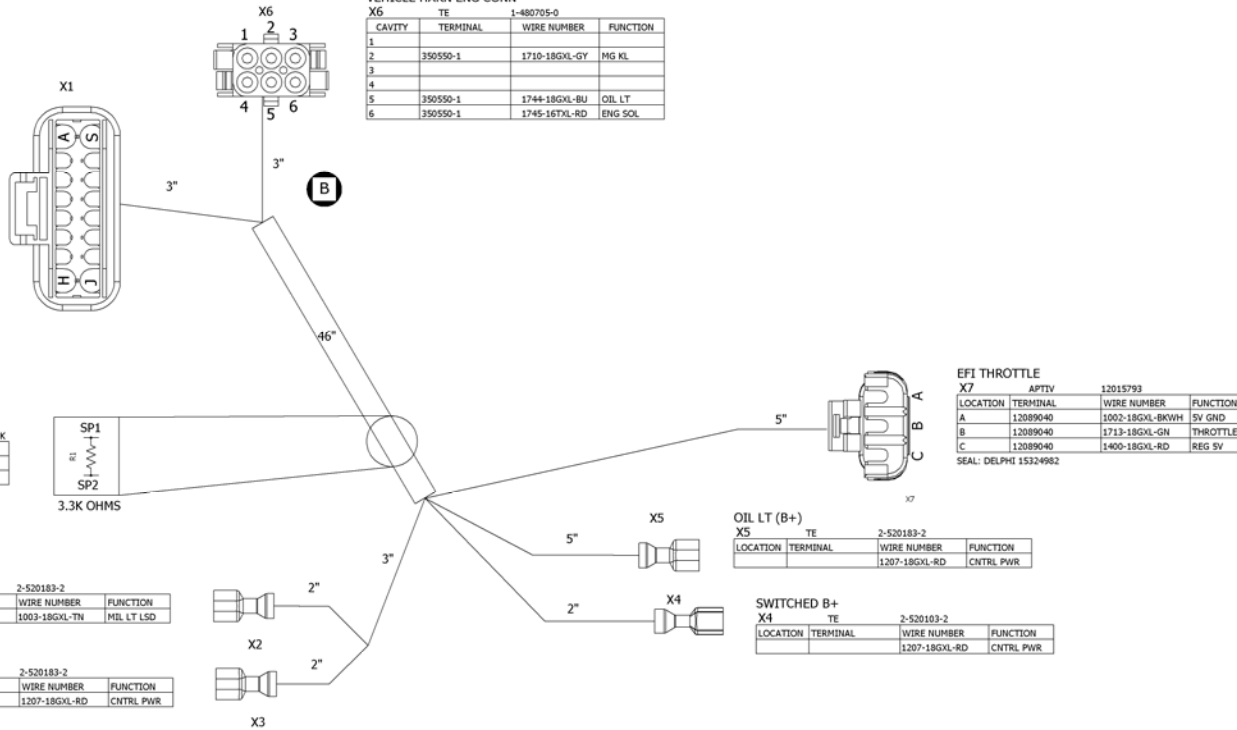
LOCATION	TERMINAL	WIRE NUMBER	FUNCTION
		1003-18GX-TN	MIL LT LSD

MIL LT (PWR)
X3 TE 2-520183-2

LOCATION	TERMINAL	WIRE NUMBER	FUNCTION
		1207-18GX-RD	CNTRL PWR

VEHICLE HARN ENG CONN
X6 1-482705-0

CAVITY	TERMINAL	WIRE NUMBER	FUNCTION
1			
2	350550-1	1710-18GX-GY	MG KL
3			
4			
5	350550-1	1744-18GX-BU	OIL LT
6	350550-1	1745-16TXL-RD	ENG SOL



EFI THROTTLE
X7 APTIV 12015793

LOCATION	TERMINAL	WIRE NUMBER	FUNCTION
A	12089040	1002-18GX-BKWH	SV GND
B	12089040	1713-18GX-GN	THROTTLE
C	12089040	1400-18GX-RD	REG SV

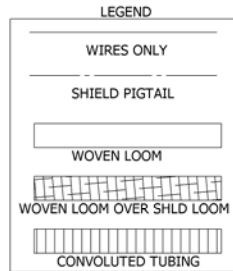
SEAL: DELPHI 15324982

OIL LT (B+)
X5 TE 2-520183-2

LOCATION	TERMINAL	WIRE NUMBER	FUNCTION
		1207-18GX-RD	CNTRL PWR

SWITCHED B+
X4 TE 2-520103-2

LOCATION	TERMINAL	WIRE NUMBER	FUNCTION
		1207-18GX-RD	CNTRL PWR



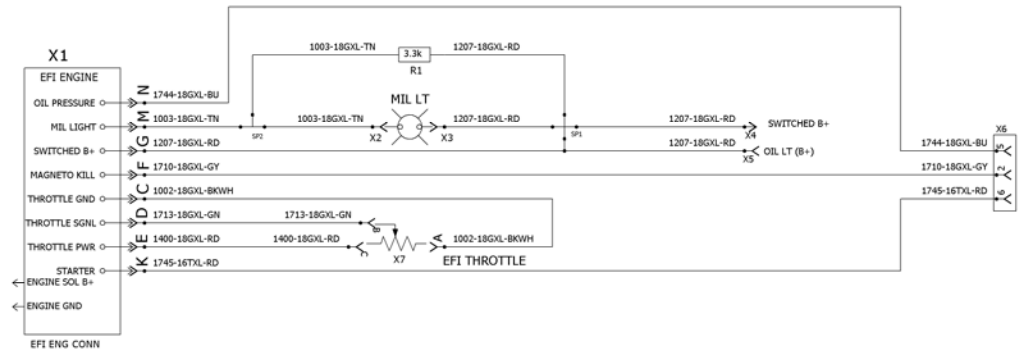
B	LENGTH ADJUSTMENTS
A2	UPDATE BOM
A1	UPDATE TO/FROM TABLE
-	RELEASED
Change ID	Revision / Was

<p>Latest Revision Information</p> <p>Revision Date: 07/20/22</p> <p>PCs: 40607</p> <p>Changed By: M.ETZEL</p> <p>Approved By: D.GINDT</p>	<p>Third angle projection</p>	<p>Drawn By: R.Seefeldt</p> <p>Approved By: D.GINDT</p>	<p>Date: 02/16/22</p> <p>Scale: 1:1</p>	<p>ARIENSICO</p> <p>HARNES, EFI ENG ADAPTER</p> <p>Sheet 1 of 2 Part Number 09683600 Rev. B</p>
	<p>ANSI Y14.5:2009 applies for symbols used</p>	<p>Description</p>	<p>Material</p> <p>SEE TABLE SEE MATERIAL TABLE</p>	
	<p>Material</p>	<p>Sheet</p>	<p>Part Number</p>	
	<p>Approved By: D.GINDT</p>	<p>Scale</p>	<p>Rev.</p>	



A1

H1						
WIRE TAG	FUNCODE	COLOR CODE	AWG	FROM	TO	
1002-18GXL-BKWH	5V GND	BKWH	18	X1:C	X7:A	
1003-18GXL-TN	MIL LT LSD	TN	18	R1	SP2:3	
1003-18GXL-TN	MIL LT LSD	TN	18	X1:M	SP2:1	
1003-18GXL-TN	MIL LT LSD	TN	18	X2	SP2:2	
1207-18GXL-RD	CNTRL PWR	RD	18	R1	SP1:3	
1207-18GXL-RD	CNTRL PWR	RD	18	SP1:4	X1:G	
1207-18GXL-RD	CNTRL PWR	RD	18	X3	SP1:1	
1207-18GXL-RD	CNTRL PWR	RD	18	X4	SP1:2	
1207-18GXL-RD	CNTRL PWR	RD	18	X5	SP1:4	
1400-18GXL-RD	REG 5V	RD	18	X1:E	X7:C	
1710-18GXL-GY	MG KL	GY	18	X1:F	X6:2	
1713-18GXL-GN	THROTTLE	GN	18	X1:D	X7:B	
1744-18GXL-BU	OIL LT	BU	18	X1:N	X6:5	
1745-16TXL-RD	ENG SOL	RD	16	X1:K	X6:6	



A2

PART NUMBER	Mark	Manufacturer	DESCRIPTION	QUANTITY
RJ15-1/2W-3.3K	R1	SHAANXI HUAXING RESISTOR	RESISTOR, 3.3K, 1/2W	1
15326084	X1	APTIV	CONNECTOR, 16 PIN, SEALED	1
2-520183-2	X2, X3	TE	TERMINAL, INSULATED, FASTON .032X.250 RECEPTACLE, .135 INSD, 22-18 AWG.	2
2-520103-2	X4	TE	TERMINAL, INSULATED, FASTON .032X.250 TAB, .135 INSD, 22-18 AWG.	1
2-520183-2	X5	TE	TERMINAL, INSULATED, FASTON .032X.250 RECEPTACLE, .135 INSD, 22-18 AWG.	1
1-480705-0	X6	TE	CONN,6 POS,FEMALE,U,UNIVERSAL MATE-N-LOK	1
12015793	X7	APTIV	CONN,3 POS,FEMALE,S,WEATHER PACK	1

Latest Revision Information Revision Date: 07/20/22 PCS: 40607 Changed By: M.ETZEL Approved By: D.GINDT	Third angle projection	Drawn By R.Seefeldt Approved By D.GINDT	Date 02/16/22 Scale 1:1	ARIENSICO
	Material	Description		
	SEE TABLE	HARNESS, EFI ENG ADAPTER		
		Sheet 2 of 2	Part Number 09683600	