

# Instruction Sheet

## Kit Number: 79223200

### BAGGER COMPLETION KIT – 60" DECK



**WARNING: FAILURE TO FOLLOW INSTRUCTIONS** could result in personal injury and/or damage to unit.

Read, understand, and follow all safety practices in Operator's Manual before beginning.

**NOTICE:** Refer to the bagger Operator's Manual for additional installation instructions.

#### Package Contents

Check the contents of your kit for the parts listed below. Also see Figure 1.

Item	Description	Qty	AriensCo P/N
1	Hex Belt	1	07200910
2	Bagger Discharge Bracket	1	09389051
3	5/16"-18 x 3/4" Round Head Square Neck Bolt	1	06200309
4	5/16"-18 Center Locking Flange Nut	1	06500840
5	Right Belt Cover	1	09393851
6	Rubber Grommet	3	07500429
7	1/4"-20 Threaded Ball Stud	2	05275900

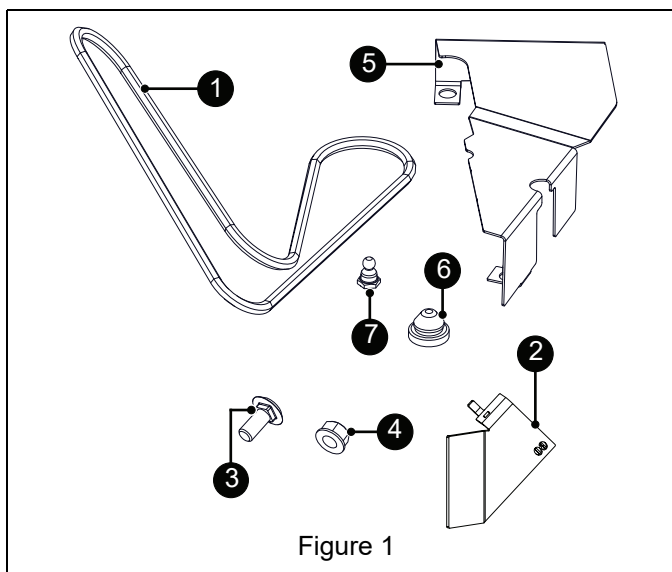


Figure 1

### INSTALLATION

1. Stop engine, remove key and engage parking brake. Wait for moving parts to stop and for hot parts to cool.
2. Disconnect spark plug wires.
3. Remove hardware from front of blower housing outlet. Discard hardware. See Figure 2.

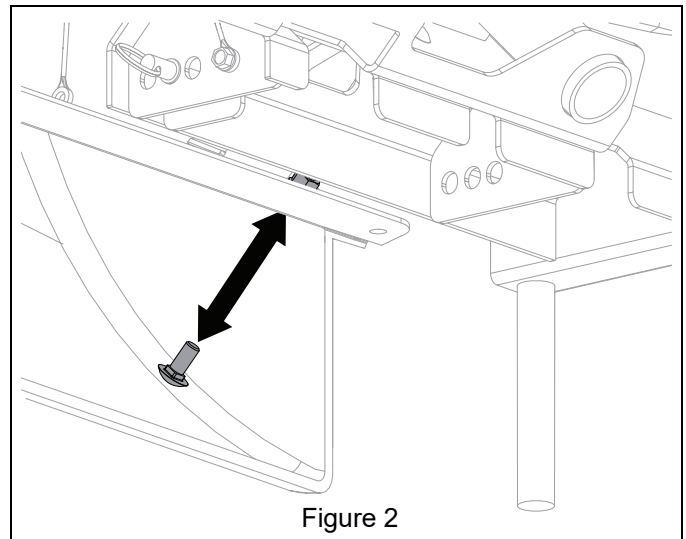


Figure 2

4. Install bagger discharge bracket (item 2) in front of blower housing outlet. Secure with one 5/16" x 3/4" round head square neck bolt (item 3) and one 5/16" center locking flange nut (item 4). See Figure 3.

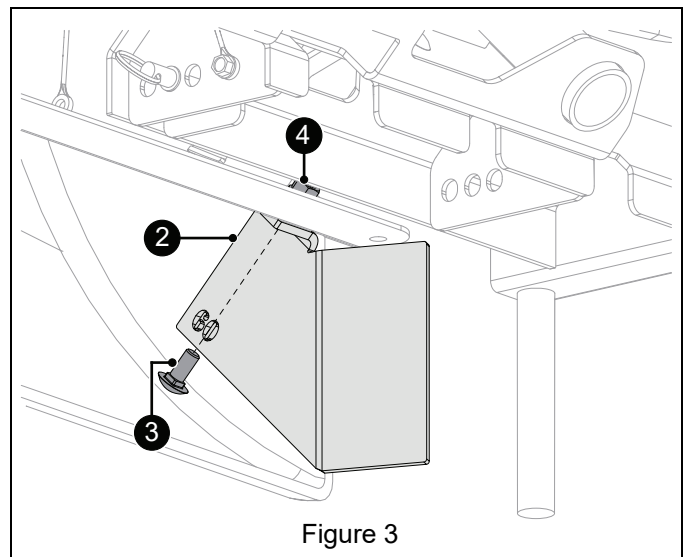
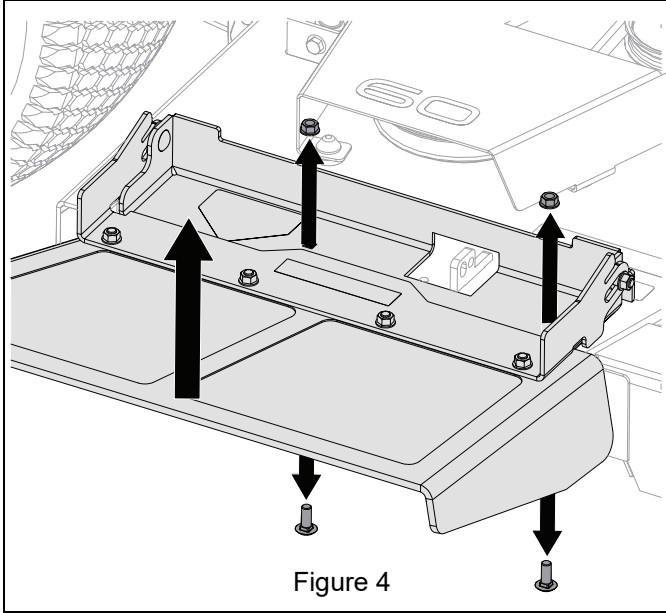
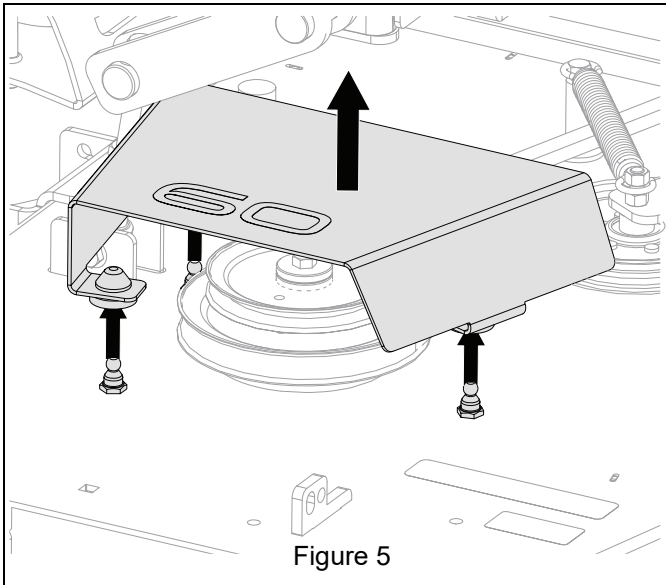


Figure 3

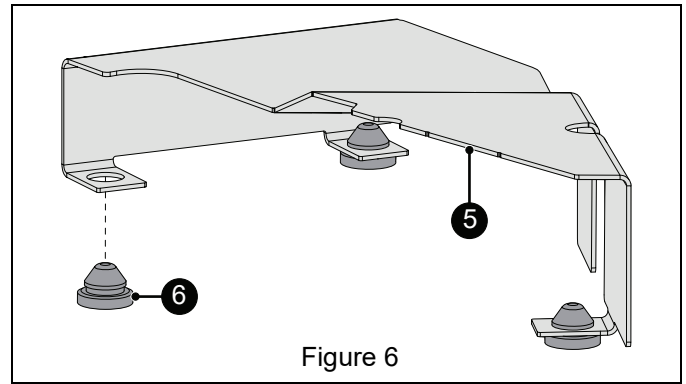
- Remove and retain hardware securing discharge chute to mower deck. Remove chute and retain for operation without bagger. See Figure 4.



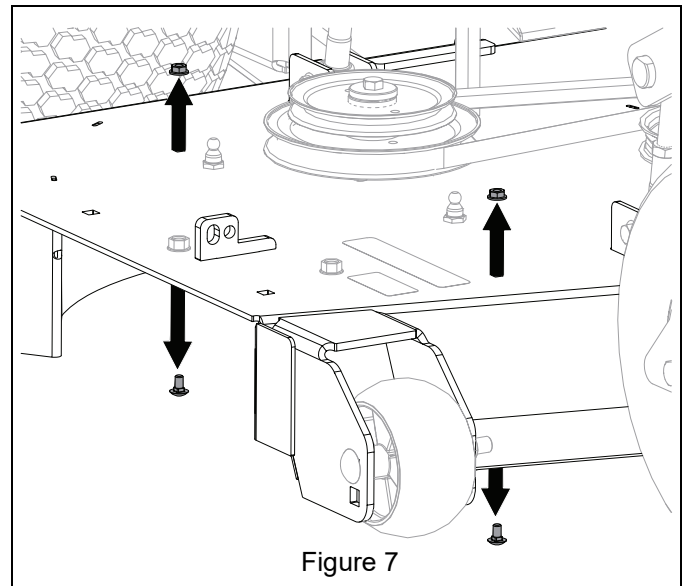
- Remove belt cover from mower deck. Retain for operation without bagger. See Figure 5.



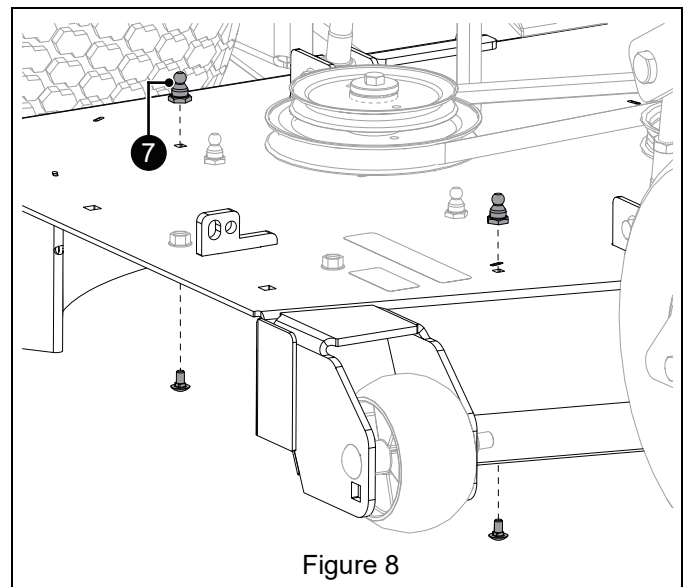
- Insert three rubber grommets (item 6) into holes in belt cover (item 5). See Figure 6.



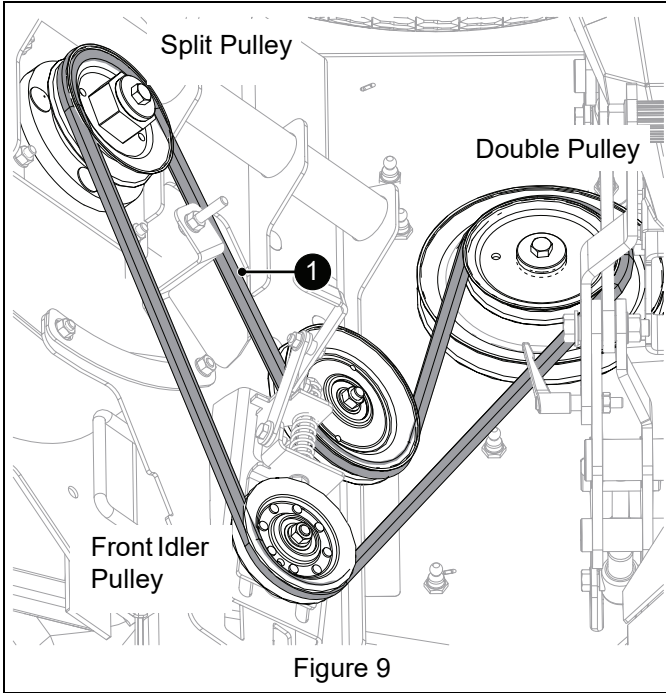
- Remove two hex nuts and round head square neck bolts from deck. Retain bolts; dispose of nuts. See Figure 7.



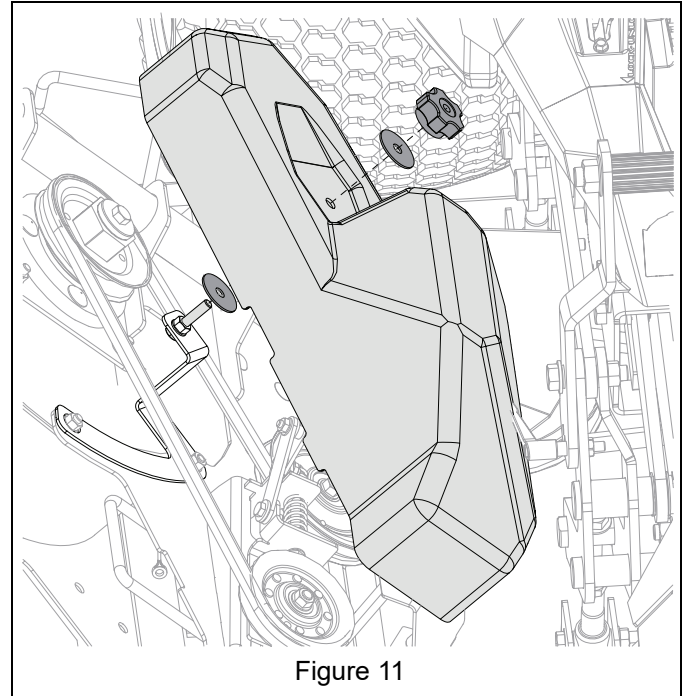
- Attach two threaded ball studs (item 7) to deck using bolts just removed. See Figure 8.



10. Install blower assembly onto mower deck. Refer to bagger Operator's Manual for instructions.
11. Install hex belt (item 1) onto blower and double pulley in the following order (see Figure 9):
  - a. Around split pulley
  - b. Around front idler pulley (back side of belt should contact back idler pulley)
  - c. Around upper pulley of double pulley



14. Install blower belt cover onto bracket and secure with two 1 1/2" washers and one knob from bagger kit. See Figure 11.



15. Refer to bagger Operator's Manual for remaining installation and operation instructions.
16. Reconnect spark plug wires.

12. Adjust belt tension. Refer to bagger Operator's Manual for instructions.
13. Install belt cover. See Figure 10.

