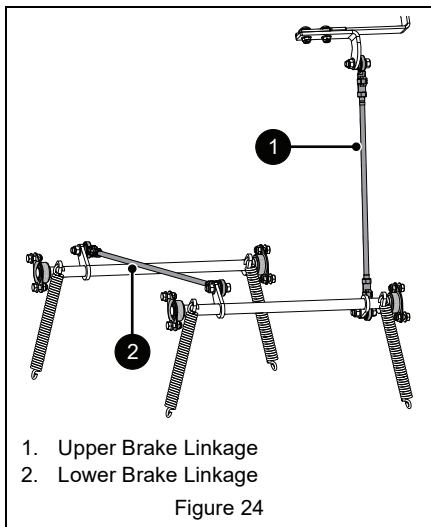


- If unit does not move forward, parking brake is functioning correctly.

See Figure 24.

- If parking brake does not hold on all four wheels, adjust upper brake linkage. See *Adjust Parking Brake* on page 26.
- If parking brake does not hold on front two wheels, adjust lower brake linkage. See *Adjust Parking Brake* on page 26.



4. Return transaxle bypass valves to operating position. See *Move Unit Manually* on page 17.

CLEAN BATTERY



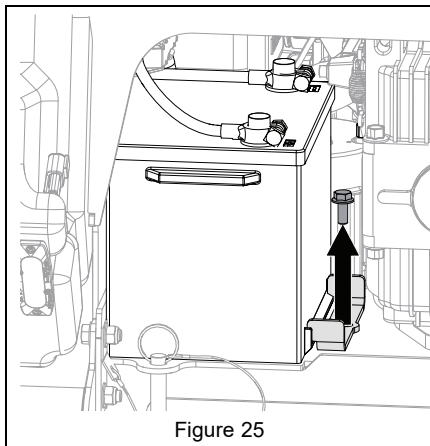
WARNING: AVOID INJURY. Battery posts, terminals and related accessories contain lead and lead compounds, chemicals known to the State of California to cause cancer and reproductive harm. Wash hands after handling.

Remove Battery

See Figure 25.

1. Place unit in service position and remove operator pad. See *Service Position* on page 18.
2. Disconnect the negative cable and then the positive cable from battery.
3. Remove and retain hardware securing battery hold-down plate to frame. Remove and retain plate.

4. Remove battery.



Clean Battery

1. Clean terminals and battery cable ends with wire brush.
2. Coat terminals with dielectric grease or petroleum jelly.

Install Battery

1. Install battery.
2. Secure hold-down plate to frame using original hardware.
3. Reconnect positive cable and then the negative cable.
4. Place boot over positive terminal.
5. Set operator platform in the raised position.
6. Reinstall operator pad.