



**ARIENS**  
THE KING OF SNOW

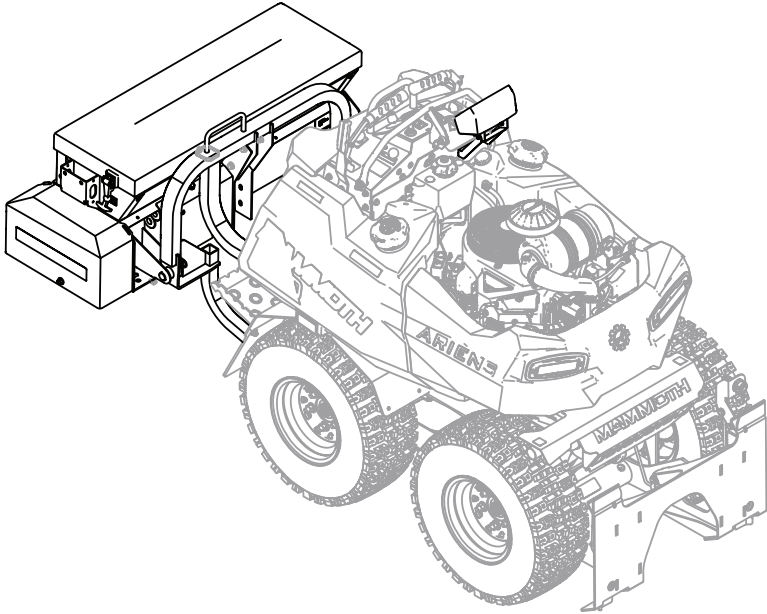
# Salt Spreader Attachment

Operator's Manual  
Manuel du Utilisateur

## Model

851006 – Salt Spreader Attachment

(SN 000101 +)



(EN) ENGLISH

(FR) FRANÇAIS

09486800 • 11/21

Printed in USA

# TABLE OF CONTENTS

---

<b>WELCOME</b> .....	1	Material Compatibility .....	14
Register Your Product! .....	1	Control Panel Setup Procedures .....	14
<b>SAFETY</b> .....	2	<b>MAINTENANCE</b> .....	14
Practices & Laws .....	2	Maintenance Schedule .....	14
Emission Control System .....	2	Check Fasteners .....	15
Required Operator Training .....	2	Accessing Hopper .....	15
Safety Alert Symbol .....	2	Empty Hopper .....	15
Signal Words .....	2	Lubricate Unit .....	16
Safety Decals .....	3	<b>ADJUSTMENTS</b> .....	16
Safety Rules .....	4	Adjust Spreader Discharge Rate .....	16
<b>CONTROLS &amp; FEATURES</b> .....	9	Adjust Flap Agitator .....	17
Top Screen and Bag Splitter .....	10	Adjust Spread Width .....	17
Trough .....	10	Adjust Safety Switch .....	18
Drive Motor .....	10	<b>STORAGE</b> .....	18
Flap Agitator .....	10	Between Uses .....	18
Auger Paddle .....	10	Short Term .....	18
Latch Handle .....	10	Long Term .....	18
Hitch / Lynch Pin .....	10	<b>CONTROL PANEL MODES</b> .....	19
Locking Plate .....	11	<b>CONTROL PANEL SETUP CODES</b> .....	20
Control Module .....	11	<b>CONTROL PANEL</b>	
Safety Switch .....	11	<b>INFORMATION CODES</b> .....	20
Baffle .....	11	<b>CONTROL PANEL ERROR CODES</b> .....	21
Control Panel .....	11	<b>TROUBLESHOOTING</b> .....	23
<b>BEFORE OPERATION</b> .....	12	<b>SPECIFICATIONS</b> .....	24
<b>OPERATION</b> .....	12	<b>WARRANTY</b> .....	25
Start / Stop Spreader .....	12		
Install / Remove Salt Spreader Attachment .....	12		

# WELCOME

Congratulations on your purchase and welcome to the Ariens family! Every machine in the Ariens lineup is designed for long-lasting and unsurpassed performance. We are confident your machine will be part of your family for many years to come.

## Have Questions or Need Assistance?

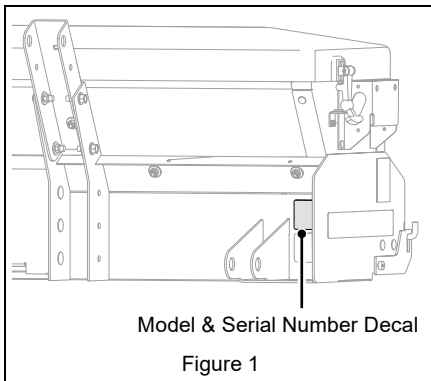
[www.ariens.com](http://www.ariens.com)

A parts manual for your unit is available for free download or purchase at [www.ariens.com](http://www.ariens.com).

### REGISTER YOUR PRODUCT!

It is extremely important to register your product at time of purchase. Product registration activates the warranty and establishes a communication link from AriensCo.

Locate the model and serial number decal on your unit and register those numbers online at [www.ariens.com](http://www.ariens.com). See Figure 1 for decal location. Be aware that the original selling dealer may have already completed product registration on behalf of the original purchaser.



Record model number here.

Record serial number here.

### MANUALS

Before operating or servicing the unit, carefully and completely read the manuals provided with the unit. They contain safety instructions and important information about unit controls.

The engine on this unit is covered by a separate manual. Refer to the engine manual for engine service recommendations. Contact the engine manufacturer for a replacement manual if necessary.

Your dealer must review important information in this manual with you before or upon delivery of the unit. It is your responsibility to read and understand all safety precautions and instructions in the manuals. If you do not understand or have difficulty following the instructions, contact your Ariens dealer for assistance. To locate your nearest Ariens dealer, go to [www.ariens.com](http://www.ariens.com).

### DISCLAIMER

Ariens reserves the right to discontinue, make changes to, and add improvements upon its products at any time without public notice or obligation. The descriptions and specifications contained in this manual were in effect at printing. Equipment described in this manual may be optional. Some illustrations may not be applicable to your unit.

# SAFETY

Read these safety rules and follow them closely. Failure to follow these rules could lead to loss of control of unit, severe personal injury or death to you or bystanders, or result in damage to property or the machine.

## PRACTICES & LAWS

Practice usual and customary safe working precautions. Learn applicable rules and laws in your area. Always follow the practices set forth in this manual.

## EMISSION CONTROL SYSTEM

This equipment and/or its engine may include exhaust and evaporative emissions control system components required to meet U.S. Environmental Protection Agency (EPA) and/or California Air Resources Board (CARB) regulations. Tampering with emission controls and components by unauthorized personnel may result in severe fines or penalties. Emission controls and components can only be adjusted by an Ariens dealer or an authorized engine manufacturer's service center. Contact your Ariens Equipment Retailer concerning emission controls and component questions.

## REQUIRED OPERATOR TRAINING



Read and understand the Operator's Manual and decals on the unit. This information is for your safety and the proper use of your equipment. Failure to follow these

instructions and warnings may cause death or serious injury. If you have purchased this product from an Ariens dealer, the dealer can provide you with training.

Familiarize yourself and any other operators with all controls and the safe use of the features of this unit. If you loan, rent or sell this product to others, provide them with all manuals.

If you have any questions, please call our customer support line at 920-756-4688 or contact us at [www.ariens.com](http://www.ariens.com). Do not use this equipment if, after reading the Operator's Manual and the on-board decals, you have any questions about the safe use of this product.



### **WARNING: AVOID INJURY.**

This machine is capable of amputating hands and feet and throwing objects. Failure to observe the safety instructions in the manuals and on decals could result in serious injury or death.

## SAFETY ALERT SYMBOL



This is the safety alert symbol. It means:

- **ATTENTION!**
- **YOUR SAFETY IS INVOLVED!**

When you see this symbol:

- **BECOME ALERT!**
- **OBEY THE MESSAGE!**

## SIGNAL WORDS

The safety alert symbol above and signal words below are used on decals and in this manual. Read and understand all safety messages.

### 1. Danger



**DANGER:** Indicates an **IMMINENTLY HAZARDOUS SITUATION!** If not avoided, **WILL RESULT** in death or serious injury.

### 2. Warning



**WARNING:** Indicates a **POTENTIALLY HAZARDOUS SITUATION!** If not avoided, **COULD RESULT** in death or serious injury.

### 3. Caution



**CAUTION:** Indicates a **POTENTIALLY HAZARDOUS SITUATION!** If not avoided, **MAY RESULT** in minor or moderate injury. It may also be used to alert against unsafe practices.

#### 4. Notice

**NOTICE:** Indicates information or procedures that are considered important but not hazard related. If not avoided property damage could result.

#### 5. Important

**IMPORTANT:** Indicates general reference information worthy of special attention.

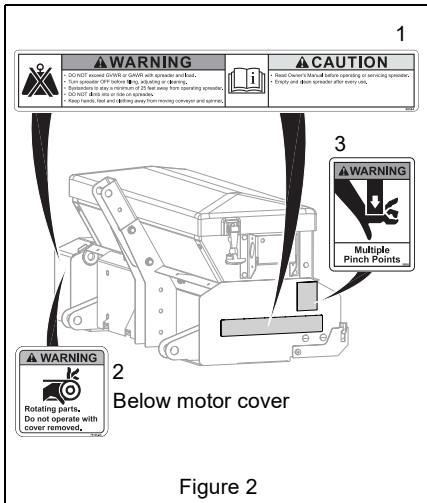
### SAFETY DECALS

The safety decals on your machine are visual reminders of the important safety information in this manual. All messages on your unit must be fully understood and carefully followed. Safety decals on the machine are explained below.

ALWAYS replace missing or damaged safety decals. Replacement decal part numbers are found in the parts manual for your machine and may be ordered from your dealer.

See Figure 2 for safety decal locations.

### Safety Decal Locations



### Safety Decal Descriptions

#### 1. WARNING!



WARNING!



- DO NOT exceed GVWR or GAWR with spreader and load.
- Turn spreader OFF before filling, adjusting or cleaning.
- Bystanders to stay a minimum of 25 feet away from operating spreader.
- DO NOT climb into or ride on spreader.
- Keep hands, feet and clothing away from moving conveyor and spinner.

#### 1. CAUTION!



CAUTION!



- Read Owner's Manual before operating or servicing spreader.
- Empty and clean spreader after every use.

#### 2. WARNING!



WARNING!



- Rotating parts.  
DO NOT operate with cover removed.

### 3. WARNING!



WARNING!



Multiple pinch points.

## SAFETY RULES

The following safety instructions are based on the B71.3 specifications of the American National Standards Institute, and other applicable standards in effect at the time of production.

### Training

Read, understand and follow all instructions on the unit and in the manual(s) before operating this unit. Be thoroughly familiar with the controls and the proper use of the equipment. Know how to stop the unit and disengage the controls quickly.

NEVER allow children to operate or play on or near the equipment. NEVER allow adults to operate the equipment without proper instruction.

Keep the area of operation clear of all persons, particularly small children. Be alert and shut off unit if children enter area.

Exercise caution to avoid slipping or falling, especially when operating in reverse.

ALWAYS remove key and/or wire from spark plug before assembly, maintenance or service. Unintentional engine start up can cause death or serious injury.

Complete a walk-around inspection of the unit to understand the unit, your work area and all safety decals.

Understand how to operate all controls, the functions of all controls and how to STOP in an emergency.

### Preparation

ALWAYS check overhead and side clearances carefully before operation.

ALWAYS be aware of traffic when operating near streets or along curbs.

Thoroughly inspect the area where the equipment is to be used and remove all doormats, sleds, boards, toys, wires and other foreign objects.

Check parking brake operation frequently. Adjust and service as required.

Inspect unit before each use for missing or damaged decals and shields, correctly operating safety interlock system. Replace or repair as needed.

Ensure Safety Interlock System is functioning properly. DO NOT operate unit if safety interlock is damaged or disabled.

Be sure all drives are in neutral and parking brake is engaged before starting engine. Steering control levers must be in neutral and PTO disengaged. Only start engine from the operator's position.

Operate unit only when standing in operator zone.

Handle fuel with care; it is highly flammable.

- Use an approved fuel container.
- NEVER add fuel to a running engine or hot engine.
- Fill fuel tank outdoors with extreme care. NEVER fill fuel tank indoors.
- NEVER fill containers inside a vehicle or trailer bed with a plastic liner. ALWAYS place containers on the ground, away from your vehicle, before filling.
- When practical, remove gas-powered equipment from the trailer and refuel it on the ground. If this is not possible, then refuel such equipment on a trailer with a portable container, rather than from a gasoline dispenser nozzle.
- Keep the nozzle in contact with the rim of the fuel tank or container opening at all times, until refueling is complete. DO NOT use a nozzle lock-open device.
- Replace gasoline cap securely and wipe up spilled fuel.
- If fuel is spilled on clothing, change clothing immediately.

Adjust the auger / impeller housing height to clear gravel or crushed rock surface.

NEVER attempt to make any adjustments while the engine is running (except when specifically recommended by manufacturer).

ALWAYS allow unit and engine to adjust to outdoor temperature before operating.

<b>Operation</b>	ALWAYS stand clear of the discharge area when operating this unit.
Disengage all controls before starting engine.	NEVER direct the discharge toward people or areas where injury or property damage can occur from thrown objects. Keep children and others away.
Adjust brush contact before operating.	Be aware of the discharge direction and do not point it at anyone. Never direct discharged material toward anyone. Avoid discharging material against a wall or obstruction. Material may ricochet back toward the operator.
NEVER leave a running unit unattended. ALWAYS stop engine and remove key before leaving unit to prevent unauthorized use.	Never engage PTO when attachment, is not in use. Always turn off power to attachment when not in active use such as traveling or crossing driveways.
DO NOT put hands or feet near or under rotating parts. Keep clear of the discharge area at all times.	Park unit on a flat level surface, lower implements, disengage drives, engage parking brake, disengage PTO, shut off engine and allow moving parts to stop before leaving the operator's position.
Moving and/or rotating parts can cut off body parts such as fingers or a hand. NEVER place your hands, other body part or clothing near any moving parts while unit is running.	DO NOT overload the unit capacity by attempting to operate at too fast a rate.
ALWAYS keep hands away from all pinch points.	NEVER operate the unit at high transport speeds on slippery surfaces. Look behind and use care when operating in reverse.
DO NOT touch parts which might be hot from operation. Allow parts to cool before attempting to maintain, adjust or service.	DO NOT operate in reverse unless absolutely necessary. ALWAYS back up slowly and look down and behind before and while backing.
Thrown objects can cause injury. Check for weak spots on docks, ramps or floors. Avoid uneven work areas and rough terrain and stay alert for hidden hazards.	Never carry passengers and keep pets and bystanders away. Stop machine if anyone enters the area.
Exercise extreme caution when operating on or crossing gravel drives, walks or roads. Stay alert for hidden hazards or traffic.	Disengage attachment when not in use and when traveling from one work area to another.
After striking a foreign object, stop the engine, remove the wire from the spark plug, thoroughly inspect the unit for any damage, and repair the damage before restarting and operating the unit.	This product is equipped with an internal combustion engine. DO NOT use unit on or near any unimproved, forest-covered or brush-covered land unless exhaust system is equipped with a spark arrester meeting applicable local, state or federal laws. A spark arrester, if used, must be maintained in effective working order by operator.
If the unit should start to vibrate abnormally, stop the engine and check immediately for the cause. Vibration is generally a warning of trouble.	ALWAYS be sure of your footing, and keep a firm hold on the handles.
Stop the engine whenever you leave the operating position and when making any repairs, adjustments or inspections.	NEVER operate unit after or during the use of medication, drugs or alcohol. Safe operation requires complete and unimpaired attention at all times.
When cleaning, repairing or inspecting the unit, stop the engine and make certain that all moving parts have stopped. Disconnect the spark plug wire and keep the wire away from the plug to prevent someone from accidentally starting the engine.	NEVER allow anyone to operate this unit when their alertness or coordination is impaired.
DO NOT run the engine indoors, except when starting the engine and for transporting the unit in or out of the building. Open the outside doors; exhaust fumes are dangerous.	NEVER touch a hot engine or muffler.
NEVER operate the unit without proper guards, and other safety protective devices in place and working.	

Avoid contact with sharp edges; sharp edges can cut.
Do not throw snow higher than necessary.
Know the weight of loads. Limit loads to those you can safely control and the unit can safely handle.
Turn off switches to disengage the spreader and sprayer pump when not operating.
Stop on level ground, lower implements, disengage spreader and sprayer pump, engage parking brake, shut off engine before leaving the operator's position for any reason.
Slow down and use caution when making turns and crossing roads and sidewalks. Disengage spreader and sprayer pump if not operating.

<b>Batteries</b>
Avoid Electric Shock. Objects contacting both battery terminals at the same time may result in injury and unit damage. DO NOT reverse battery connections.
Reverse connections may result in sparks which can cause serious injury. ALWAYS connect positive (+) lead of charger to positive (+) terminal, and negative (-) lead to negative (-) terminal.
ALWAYS disconnect negative (-) cable FIRST and positive (+) cable SECOND. ALWAYS connect positive (+) cable FIRST, and negative (-) cable SECOND.
Explosive Gases from battery can cause death or serious injury. Poisonous battery fluid contains sulfuric acid and its contact with skin, eyes or clothing can cause severe chemical burns.
No flames, No sparks, No smoking near battery.
ALWAYS wear safety glasses and protective gear near battery. Use insulated tools.
ALWAYS keep batteries out of reach of children.
Battery posts, terminals and related accessories contain lead and lead compounds, chemicals known to the State of California to cause cancer and reproductive harm. Wash hands after handling.

<b>Maintenance and Storage</b>
Park unit on a flat level surface. Never allow untrained personnel to service machine.
Secure unit so it will not tip over during maintenance.

Before cleaning, removing obstructions or making any inspections, repairs, etc., stop engine, remove key, allow moving parts to stop and hot parts to cool.
Check hardware at frequent intervals for proper tightness to be sure the unit is in safe working condition.
Check PTO and drive control operation frequently.
DO NOT change engine governor settings and DO NOT over-speed engine.
Adjust and service as required. Motion of drive wheels and attachment must stop quickly when PTO is disengaged and drive control is returned to neutral.
ALWAYS maintain unit in safe operating condition. Damaged or worn out muffler can cause fire or explosion.
Keep unit free of ice or other debris. Clean up oil or fuel spills.
ALWAYS block wheels and know all jack stands are strong and secure and will hold weight of unit during maintenance. Use jack stands to support components when required.
Carefully and slowly release any pneumatic or hydraulic pressure from components with stored energy.
ALWAYS keep body and hands away from pin holes or nozzles which eject hydraulic fluid under pressure.
ALWAYS keep protective structures, guards, and panels in good repair and secured in place. NEVER modify or remove safety devices.
NEVER store the unit with fuel in the fuel tank inside a building where ignition sources are present such as hot water heaters, space heaters or clothes dryers. Close fuel valve and allow the engine to cool completely before storing in any enclosure or covering the unit.
ALWAYS refer to operator's manual for important details if the unit is to be stored for an extended period.
Maintain or replace safety and instruction labels as necessary.
Remove attachments from tractor before lifting. Attachments must be lifted separate from tractor.
Run the unit a few minutes after removing snow to prevent freeze-up.



Springs may contain stored energy. Use caution when disengaging or removing springs and/or spring-loaded components.

Before working on this machine, be sure the valve system, brine tank and hopper have been thoroughly rinsed according to the recommendations of the chemical manufacturer.

**Personal Protection**

Wear proper footwear to improve footing on slippery surfaces. NEVER wear open sandals or canvas shoes during operation.

Wear adequate safety gear, including safety glasses with side shields and protective gloves.

DO NOT wear loose clothing or jewelry, and tie back hair that may get caught in rotating parts.

NEVER attempt to clear obstructions or clean unit while engine is running. Rotating attachments can cause serious injury.

Protect eyes, face and head from objects that may be thrown from unit. Wear appropriate hearing protection.

ALWAYS wear safety glasses or eye shields during operation or while performing an adjustment or repair to protect eyes from foreign objects that may be thrown from the unit.

**Slope Operation**

Slopes are a major factor related to loss of control and tip-over accidents, which can result in severe injury or death. Operation on all slopes requires extra caution. If you cannot back up the slope or if you feel uneasy on it, do not operate.

DO NOT operate on slopes of more than 20°. This maximum degree of operation is without attachments.

Operate across slopes, not up and down.

DO NOT operate on slopes steeper than you can feel secure about the traction of the tires and the stability of the tractor.

Use a slow speed to avoid stops or shifts on slopes. Avoid starting or stopping on a slope. DO NOT park unit on a slope unless absolutely necessary. When parking on a slope ALWAYS block the wheels.

Operation on slopes may lead to loss of steering control. When operating on slopes be prepared to react to an emergency situation:

- Return steering levers to neutral position.
- Immediately set parking brake.
- Turn off PTO and engine.

DO NOT try to stabilize the machine by putting your foot on the ground.

DO NOT operate near drop-offs, ditches, or embankments. Unit can suddenly turn over if a wheel is over the edge of a cliff or ditch, or if an edge caves in.

Do not bypass transmission or allow transmission to free-wheel when on a slope.

**Fuel**

DO NOT run engine in an enclosed area. ALWAYS provide good ventilation. Fumes from engine exhaust can cause injury or death.

Fuel is highly flammable and its vapors are explosive. Handle with care. Use only an approved gasoline container with an appropriately-sized dispensing spout.

No smoking, no sparks, no flames. ALWAYS allow engine to cool before servicing.

NEVER fill fuel tank when engine is running or hot from operation.

NEVER fill or drain fuel tank indoors.

Replace fuel cap securely and clean up spilled fuel.

NEVER fill fuel containers inside a vehicle or on a trailer bed with a plastic liner. ALWAYS place containers on the ground away from your vehicle before filling.

When practical, remove gas-powered equipment from the trailer and refuel it on the ground. If this is not possible, then refuel on a trailer with a portable container, rather than from a gasoline dispenser nozzle.

Keep the nozzle in contact with the rim of the fuel tank or container opening at all times until fueling is complete. DO NOT use a nozzle lock-open device.

If fuel is spilled on clothing, change clothing immediately.

## Transporting

Use extra care when loading or unloading unit onto trailer. Secure unit chassis to transport vehicle. NEVER secure from rods or linkages that could be damaged. DO NOT transport unit while engine is running.

Tie the machine down securely using straps, chains, cable, or ropes. Both front and rear straps should be directed down and outward from the machine.

Use full width ramps when loading machine.

## Accessories

Use only attachments recommended by AriensCo that are appropriate to your use and can be used safely in your application.

## Chemical Safety

Chemicals used in this machine may be hazardous to apply and produce gasses that are hazardous if inhaled or with contact to your skin.

Caustic liquid or chemical burns could occur if chemicals are not used properly.

Read and follow all the instructions and warnings from manufacturer for all chemicals used.

Become familiar with and follow all warnings, recommendations, instructions and procedures for: first aid measures, safe use, mixing, handling, applying, spills clean-up, storage and disposal of all chemicals.

Wear all personal protective equipment as recommended on the manufacturer's label of any chemicals. Personal protective equipment may include safety glasses or goggles and/or face shields, chemical resistant gloves, and rubber boots, and a respirator.

Obtain the proper training before using or handling any chemicals. Follow all local, state and federal requirements for the handling and spreading of chemicals.

Be sure to verify there is an adequate supply of clean water and soap nearby and immediately wash off any chemicals that may contact you.

Handle chemicals in a well-ventilated area.

Keep clean water available for immediate rinsing off and clean-up of any spilled chemicals.

Hydraulic fluid can result in severe burns. Fluid in hydraulic system can penetrate skin and result in serious injury or death.

Be sure to stop the engine before doing any work on hydraulic parts.

Keep body and hands away from pin holes or nozzles which expel hydraulic fluid when under pressure. Use paper or cardboard, not hands, to search for leaks.

Ensure all hydraulic fluid connections are tight and all hydraulic hoses and lines are in good condition before applying pressure to system.

# CONTROLS & FEATURES

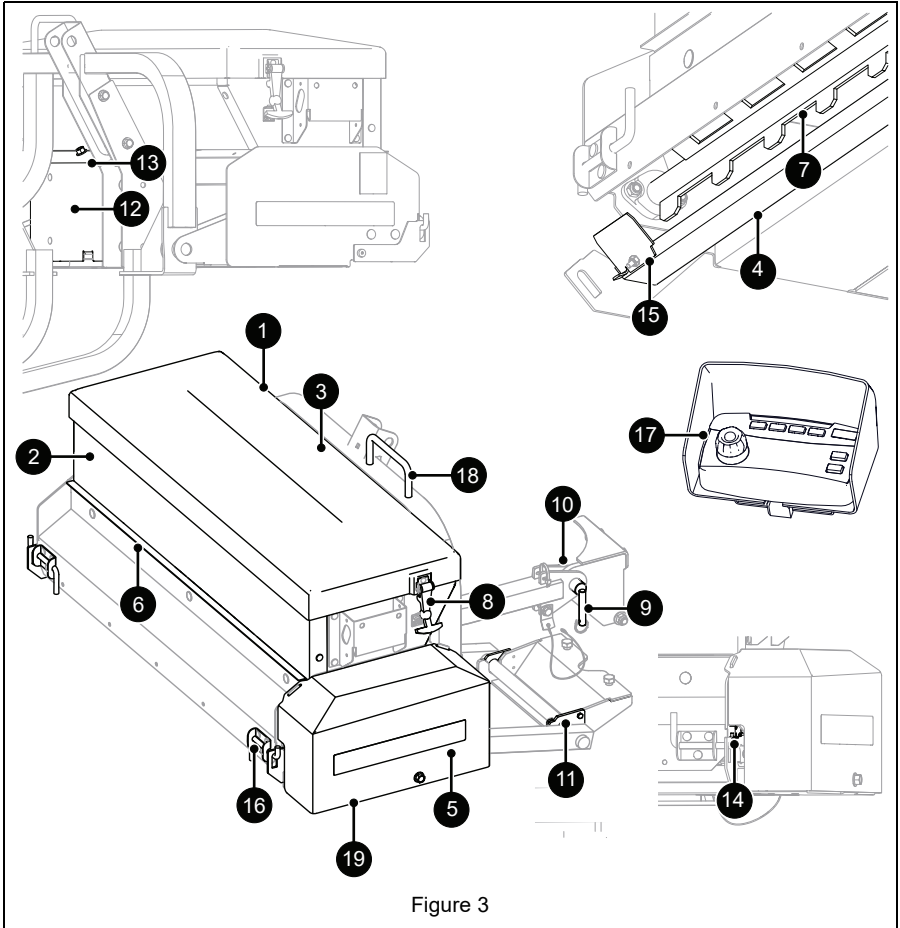


Figure 3

- |  |                                   |
|--|-----------------------------------|
| 1. Hopper Cover                              | 11. Locking Plate (2)             |
| 2. Hopper                                    | 12. Control Module (Behind Cover) |
| 3. Top Screen and Bag Splitter (Below Cover) | 13. Control Module Cover          |
| 4. Trough                                    | 14. Safety Switch                 |
| 5. Drive Motor (Behind Cover)                | 15. Baffle (2)                    |
| 6. Flap Agitator                             | 16. Locking Pin (2)               |
| 7. Auger Paddle                              | 17. Control Panel                 |
| 8. Latch Handle (2)                          | 18. Lift Handle                   |
| 9. Hitch Pin                                 | 19. Electrical Cover              |
| 10. Lynch Pin                                |                                   |



**WARNING:** Read and understand the *Safety* section before proceeding.

See Figure 3 for all controls and features locations.

## TOP SCREEN AND BAG SPLITTER

See Figure 4.

Ensures material size is consistent and prevents large clumps from entering hopper. Raise bag splitter to easily open and empty material from bag.

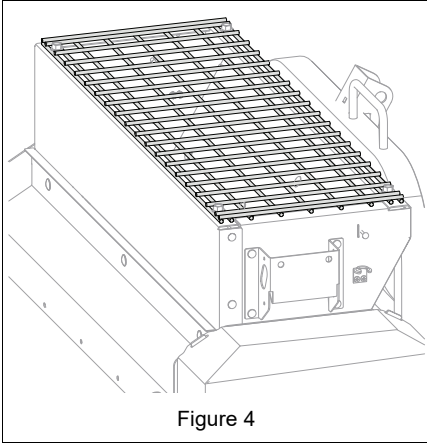


Figure 4

## TROUGH

See Figure 5.

Lowers when locking pins are released to empty material from hopper.

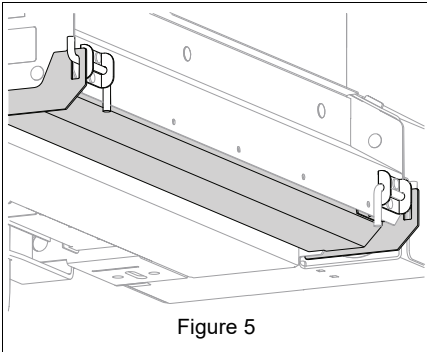


Figure 5

## DRIVE MOTOR

See Figure 6.

Provides power to auger paddle for controlled feed of material.

Cover removed for clarity

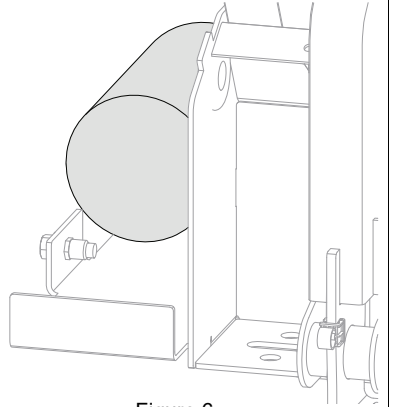


Figure 6

## FLAP AGITATOR

See Figure 7.

Improves material flow by contacting auger paddles to create a vibration that keeps material loose.

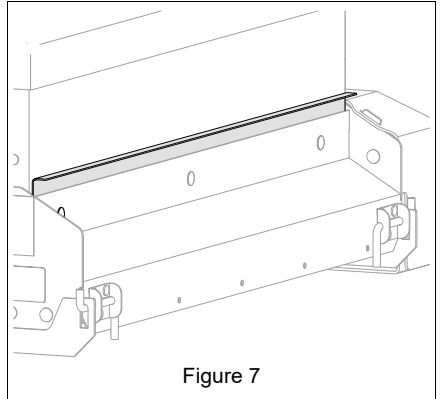


Figure 7

## AUGER PADDLE

Rotates for proper distribution of material.

## LATCH HANDLE

Secures cover to hopper.

## HITCH / LYNCH PIN

Secures attachment to rear of tractor.

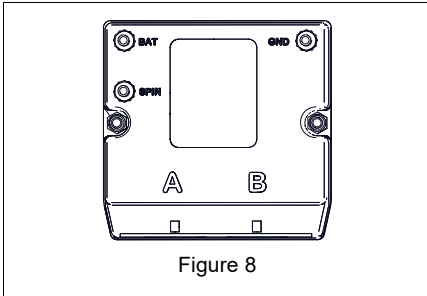
## LOCKING PLATE

Secures support mount to tractor base.

## CONTROL MODULE

See Figure 8.

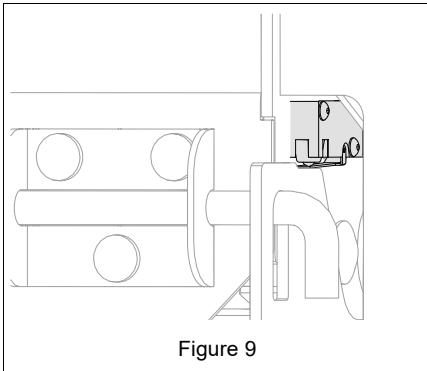
Controls electrical components of the spreader attachment.



## SAFETY SWITCH

See Figure 9.

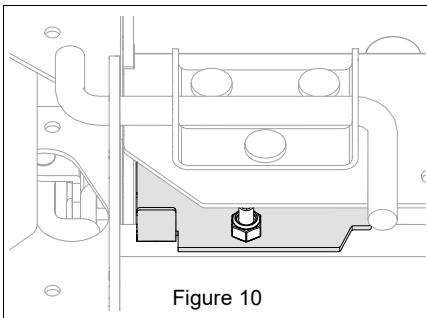
Confirms that trough is open / closed when system is on.



## BAFFLE

See Figure 10.

Sets spread width.



## CONTROL PANEL

**IMPORTANT:** See *Control Panel Modes* on page 19 for control panel mode details.

See Figure 11.

Operates certain spreader attachment features and provides system information to the operator. Control panel back lights illuminate when tractor ignition is in the on position and spreader is detected.

### Control Knob

Controls spreader discharge rate and various status / error code settings. When spreader is off, a single LED light illuminates current setting. When spreader is on, the number of LEDs increase / decrease as control knob is turned clockwise / counterclockwise.

### Accessory Control Buttons

Not used in this application.

### Status / Error Code Display

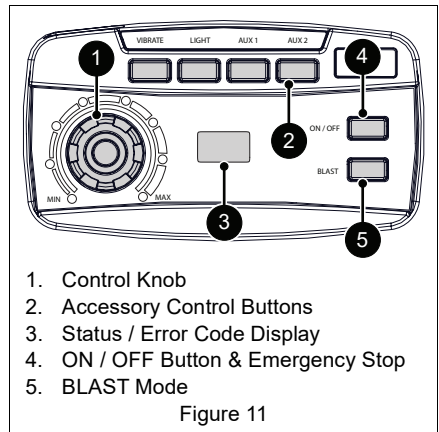
Provides system information to the operator using two-character status / error codes.

### ON / OFF Button & Emergency Stop

Controls power to spreader attachment. Press ON / OFF button to start and stop spreader. Tractor ignition must be in the on position and control panel must be on to start spreader.

### BLAST Mode

Sets maximum application of spreader material.



1. Control Knob
2. Accessory Control Buttons
3. Status / Error Code Display
4. ON / OFF Button & Emergency Stop
5. BLAST Mode

## BEFORE OPERATION



**WARNING: AVOID INJURY.**  
Read and understand the *Safety* section before proceeding.



**WARNING: AVOID INJURY.**  
Before operating, front tractor tires **MUST** be filled with a freeze-resistant non-corrosive ballast to counter the weight of the salt spreader.

1. Fill hopper with compatible material. See *Material Compatibility* on page 14.
2. Ensure there are no bystanders or obstructions in spreading area.
3. Adjust spread width to the desired setting. See *Adjust Spread Width* on page 17.
4. Adjust spreader discharge rate to the desired setting. See *Adjust Spreader Discharge Rate* on page 16.

### Best Practices

- Spread ice melters during storm to prevent unmanageable levels of ice.
- Drive slower for more concentrated application.
- Do not operate spreader near pedestrians.
- Adjust distribution pattern to avoid vegetation.

## OPERATION



**WARNING: AVOID INJURY.**  
Read and understand the *Safety* section before proceeding.

Refer to Mammoth Tractor Operator's Manual for tractor-specific operation information and procedures.

**IMPORTANT:** All references to left, right, front or rear are given from the perspective of operator in operator's position, facing the direction of forward travel.

### START / STOP SPREADER

#### Start Spreader

1. Move salt / brine switch to the salt position. See Figure 12.

**IMPORTANT:** Brine switch position is for use with separate brine sprayer attachment.

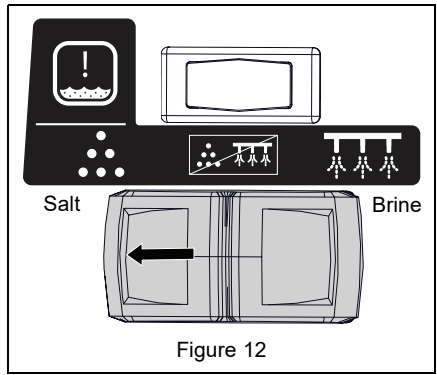


Figure 12

2. Press ON / OFF button on control panel.
3. Turn control knob to desired material application setting. See *Adjust Spreader Discharge Rate* on page 16.

### Stop Spreader

1. Move salt / brine switch to the off position.
2. Press ON / OFF button on control panel.

### INSTALL / REMOVE SALT SPREADER ATTACHMENT



**WARNING: AVOID INJURY.**  
Keep body parts away from pinch points when installing and removing attachments.

#### Install Attachment

Refer to Installation Instructions (P/N 07900507).

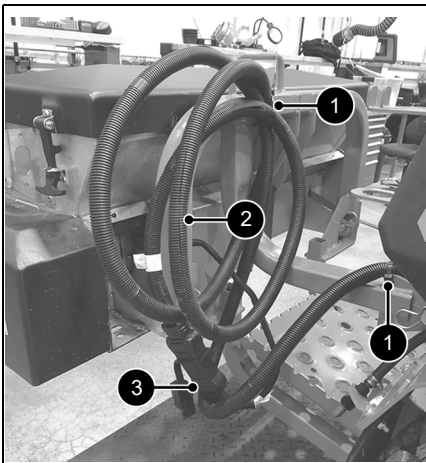
#### Remove Attachment



**WARNING: NEVER** remove spreader with material in hopper.

See Figure 13.

1. Turn tractor ignition to the off position and remove key.
2. Empty hopper. See *Empty Hopper* on page 15.
3. Disconnect accessory harness from spreader harness.
4. Cut cable ties retaining accessory harness.



1. Cable Tie
2. Accessory Harness
3. Spreader Harness

Figure 13

4. Using a cable tie, store harness on left side of cruise control bar. See Figure 14.



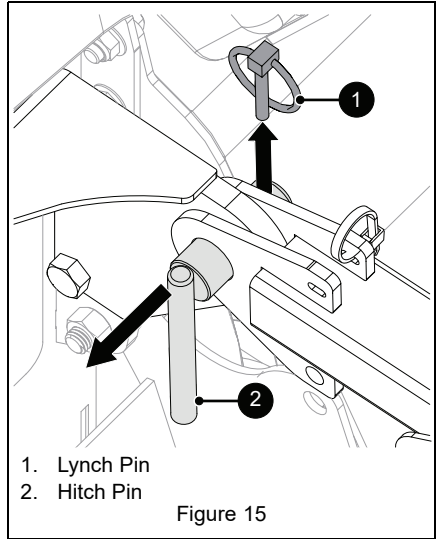
Figure 14



**WARNING: AVOID INJURY.** Salt spreader assembly is heavy. Use a suitable lifting device or capable assistant to help lower salt spreader.

5. Remove lynch pin from hitch pin. Remove hitch pin and retain pins for use with attachment. See Figure 15.

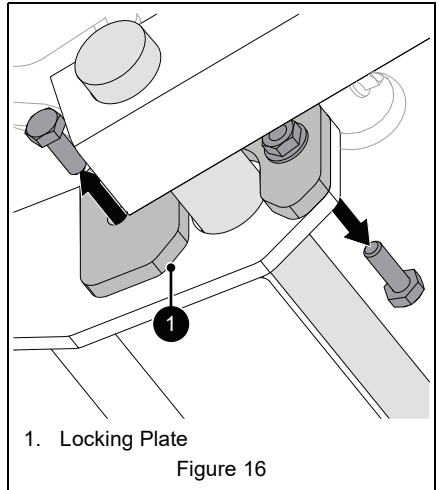
6. Using a suitable lifting device or capable assistant, lower salt spreader onto a flat level surface.



1. Lynch Pin
2. Hitch Pin

Figure 15

3. Remove hardware retaining locking plates on left and right side of lower mount and remove locking plates. Retain parts for use with attachment. See Figure 16.



1. Locking Plate

Figure 16

4. Remove salt spreader attachment from tractor.

## MATERIAL COMPATIBILITY

Description
50 / 50 Sand / Salt Mix
Bagged Ice Melter
Bagged Rock Salt
Bulk Salt
Calcium Chloride Pellets
Calcium Flakes

## CONTROL PANEL SETUP PROCEDURES

### Calibrate Empty Hopper Setting (Cb and EH Codes)

Calibrating empty hopper setting enables control panel to alert operator when hopper is empty.

**IMPORTANT:** Recalibrate empty hopper setting at the start of each season.

1. Empty hopper. See *Empty Hopper* on page 15.
2. Turn tractor ignition to the on position.
3. Press ON / OFF button on control panel.
4. Press and hold control knob for approximately 10 seconds until **Cb** code displays.

- Calibration cycle will begin and LEDs around control knob will illuminate in succession until all are lit.
- When automatic calibration cycle is complete, control panel will revert to previous material application settings.
- If control panel is turned off or loses power during calibration cycle, calibration data will be lost. Ensure control panel is on and restart calibration from Step 4.
- **EH** code will flash when calibration is complete and beep will sound when the hopper is empty.

**IMPORTANT:** **EH** code will not halt spreader operation.

### Clearing Empty Hopper Calibration Data (Cc Code)

**IMPORTANT:** Empty hopper code (**EH**) will no longer display on control panel when hopper is empty. Recalibrate empty hopper setting to resume **EH** code. See *Calibrate Empty Hopper Setting (Cb and EH Codes)* on page 14.

1. Ensure hopper is empty. See *Empty Hopper* on page 15.
2. Turn tractor ignition to the on position.
3. Press ON / OFF button on control panel.

4. Press and hold control knob for approximately 10 seconds until **Cb** code displays.
5. Push control knob once after calibration cycle begins but before it completes.

**Cc** code will display and control panel will automatically exit **Cc** mode.

### Adjust LED Brightness Level (SL and LS Codes)

Control panel LED brightness level can be adjusted from 1 to 16. Factory default setting is 8 and brightness level of 12 or higher is recommended for daylight conditions.

1. Turn tractor ignition to the on position.
2. Press and hold the control knob for approximately 3 seconds until **LS** code displays.
3. Release knob and turn clockwise / counterclockwise to increase / decrease brightness level. After brightness level is selected, **SL** confirmation code will display.

## MAINTENANCE



**WARNING:** Read and understand the *Safety* section before proceeding.

Proper maintenance can prolong the life of unit. The following chart shows the recommended service schedule.

Your Ariens dealer can provide service and adjustments to keep your unit operating at peak efficiency.

Refer to Mammoth Tractor Operator's Manual for tractor-specific maintenance information and procedures.

**NOTICE:** If necessary to access motor, ensure cover is resealed using a silicone sealant.

## MAINTENANCE SCHEDULE

Service Performed	Each Use
Check Fasteners	•
Clean Unit *	•
Lubricate Unit	•
* See <i>Between Uses</i> on page 18 for details.	

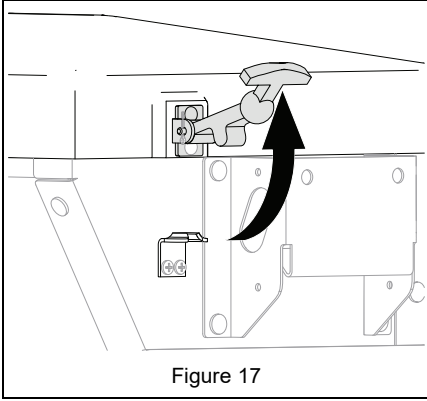


## CHECK FASTENERS

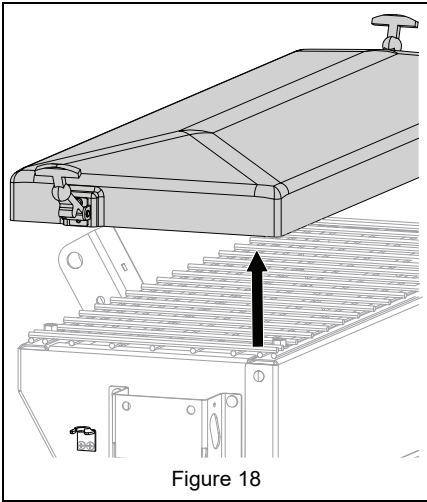
Check for loose hardware.

## ACCESSING HOPPER

1. Release latches on both sides of hopper cover. See Figure 17.

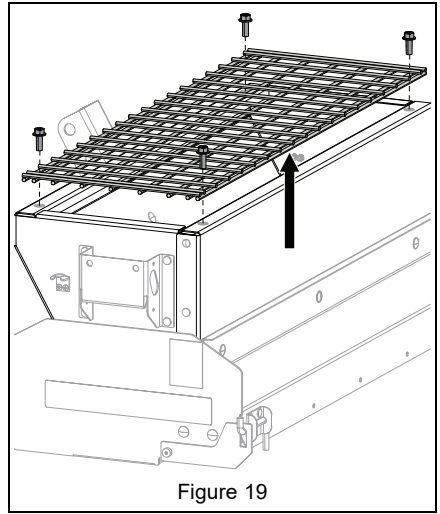


2. Remove hopper cover. See Figure 18.



See Figure 19.

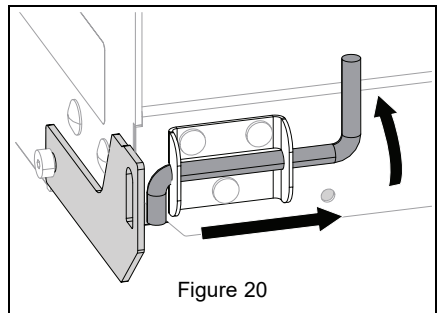
3. Remove and retain four hex screws securing screen to hopper.
4. Remove screen and retain for reinstallation.



## EMPTY HOPPER

**NOTICE:** DO NOT leave unused material in hopper. Material can freeze or solidify, causing unit to not function properly. Empty and clean after each use.

1. Remove hopper cover and screen. See *Accessing Hopper* on page 15.
2. Rotate and pull locking pins. See Figure 20.



- Lower trough to empty material from hopper. See Figure 21.

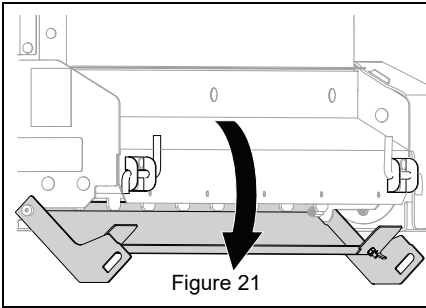
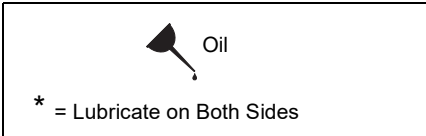


Figure 21

- Clean hopper. See *Between Uses* on page 18.
- Raise trough and secure with locking pins.
- Reinstall screen and hopper cover.

## LUBRICATE UNIT



## General Lubrication

- Apply a thin layer of oil to latch pivot points. See Figure 22.

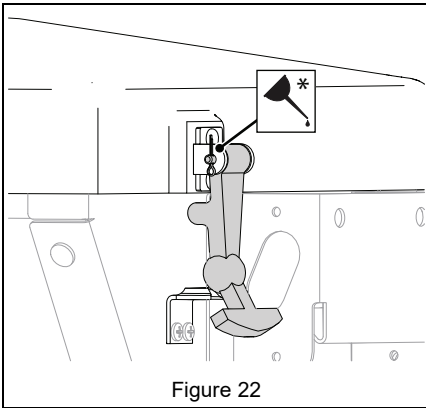


Figure 22

# ADJUSTMENTS

## ADJUST SPREADER DISCHARGE RATE

See Figure 23.

The control knob has eight discharge rate settings. Refer to the chart below to determine the average time it takes to empty hopper for each setting.

**IMPORTANT:** Average time applies to both 76.2 cm (30") and 91.4 cm (36") spread widths.

Discharge Rate Setting	Average Time to Empty Hopper (Minutes)
1	13.5
2	9.6
3	8.3
4	6.7
5	5.8
6	5.4
7	4.8
8	4.4

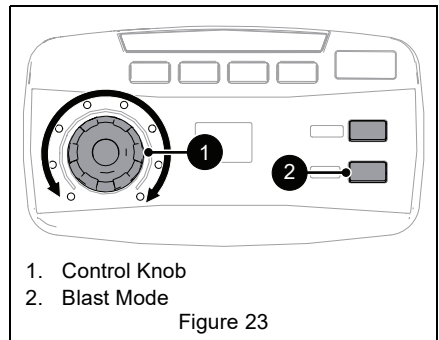
To adjust settings:

- Turn control knob clockwise to increase discharge rate.
- Turn control knob counterclockwise to decrease discharge rate.

## BLAST Mode

- Press and hold BLAST button for maximum application.
- Release button to stop maximum application.

**IMPORTANT:** Releasing button reverts auger speed to previous setting.



- Control Knob
- Blast Mode

Figure 23

## ADJUST FLAP AGITATOR

1. Empty hopper. See *Empty Hopper* on page 15.

**IMPORTANT:** Leave trough lowered to keep safety switch disengaged.

2. Remove hopper cover and screen. See *Accessing Hopper* on page 15.
3. Loosen hardware securing flap agitator to hopper. See Figure 24.

**IMPORTANT:** If adjustments are made frequently, carriage bolts may be reversed so that nuts may be accessed from outside spreader.

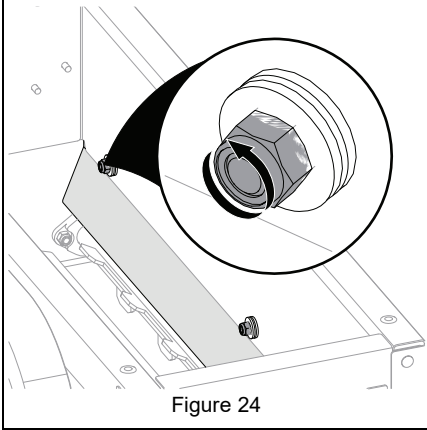


Figure 24

See Figure 25.

Adjust flap position:

- For coarse dry materials, set flap to raised position.
- For compacting materials that require agitation, set flap to middle position.
- For fine, free-flowing materials, set flap to lowered position.

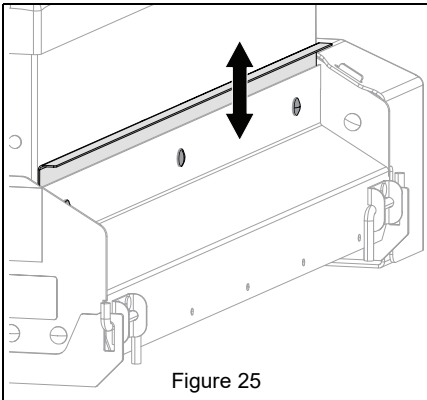


Figure 25

4. Tighten hardware.
5. Reinstall screen and hopper cover.
6. Raise trough and secure with locking pins.

## ADJUST SPREAD WIDTH

See Figure 26.

1. Empty hopper. See *Empty Hopper* on page 15.
2. Rotate and pull locking pins to lower trough.
3. Loosen baffle hardware and rotate baffles to the desired position:
  - For 76.2 cm (30") spread width, rotate baffles 180° upward.
  - For 83.8 cm (33") spread width, rotate either baffle 180° upward.
  - For 91.4 cm (36") spread width, rotate baffles 180° downward.

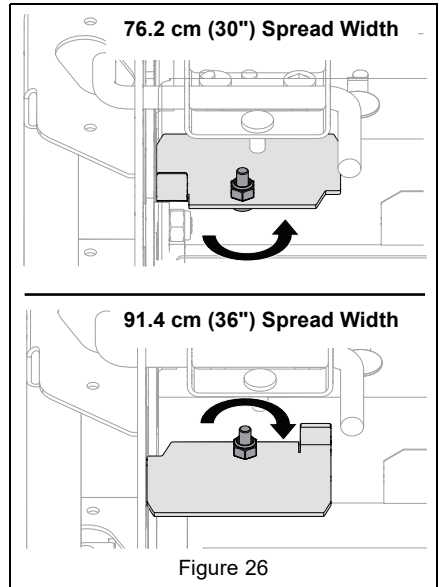


Figure 26

6. Raise trough and secure with locking pins.

## ADJUST SAFETY SWITCH

If safety switch is misaligned, control panel will generate a **dU** error code. See *Troubleshooting* on page 23.

To adjust safety switch:

1. Turn tractor ignition to the off position and remove key.
2. Remove hex screw retaining electrical cover and remove cover. Retain for reinstallation. See Figure 27.

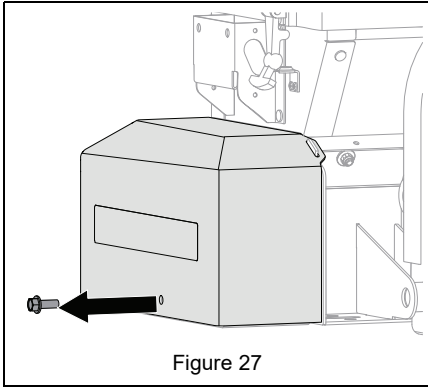


Figure 27

See Figure 28.

3. Loosen safety switch hardware.
4. Move switch until contact is made with locking plate.
5. Tighten hardware.

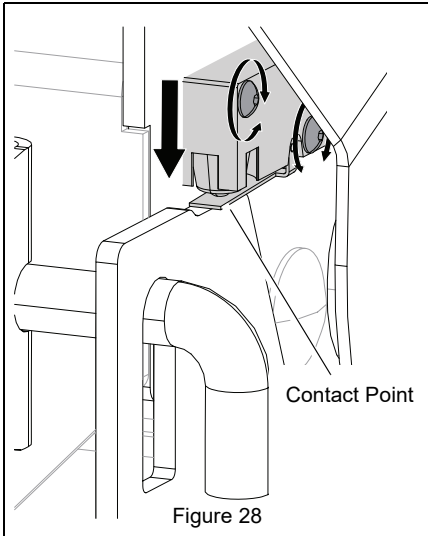


Figure 28

6. Reinstall electrical cover and secure with hex screw removed earlier.

## STORAGE



**WARNING: AVOID INJURY.**  
Read and understand the *Safety* section before proceeding.

Refer to Mammoth Tractor Operator's Manual for tractor-specific storage information and procedures.

### BETWEEN USES

1. Empty hopper. See *Empty Hopper* on page 15.
2. Clean attachment thoroughly with mild soap and low-pressure water to remove any corrosive material and prevent corrosion buildup.
3. Apply dielectric grease on all electrical connections to prevent corrosion.

### SHORT TERM

1. Perform between-uses storage procedure.
2. Tighten all hardware to specifications.
3. Inspect unit for visible signs of wear or damage. Repair as needed.
4. Apply a light layer of oil or anti-corrosion compound to bare metal areas.
5. Store accessory harness on left side of cruise control bar.
6. Store unit in a cool, dry, protected area. Do not store unit outdoors.

### LONG TERM

1. Perform between-uses and short-term storage procedure.
2. Lubricate as directed in *Maintenance* on page 14.
3. Touch up all scratched painted surfaces.
4. Unplug control panel and keep out of direct sunlight.

## CONTROL PANEL MODES

Mode	Description	Procedure
<b>Standby</b>	<ul style="list-style-type: none"> <li>• Tractor ignition is in the on position.</li> <li>• Control panel is off.</li> <li>• Spreader is not detected.</li> </ul>	Press any button to wake.
<b>Ready Mode</b>	<ul style="list-style-type: none"> <li>• Tractor ignition is in the on position.</li> <li>• Control panel is off.</li> <li>• Spreader is detected.</li> <li>• Control knob start-up settings are operational, but auger will not operate until control panel is on.</li> <li>• Blast function is not operational.</li> </ul>	Spreader is ready to operate. Press ON / OFF button to operate spreader.
<b>On Mode</b>	<ul style="list-style-type: none"> <li>• Tractor ignition is in the on position.</li> <li>• Control panel is on.</li> <li>• Spreader is running.</li> <li>• All control panel functions are operational.</li> </ul> <p><b>IMPORTANT:</b> During normal spreader operation no control codes are displayed. Information or setup codes will appear when relevant. These codes will not stop spreader operation.</p>	Spreader is running. Press ON / OFF button to stop spreader.
<b>Error</b>	<p>When an error code is present, the following conditions / notifications exist:</p> <ul style="list-style-type: none"> <li>• Spreader operation stops.</li> <li>• Two-character error code appears on control panel status display.</li> <li>• Audible alarm beeps (1 beep).</li> </ul> <p>When multiple error conditions exist:</p> <ul style="list-style-type: none"> <li>• Error codes flash in sequence on control panel status display.</li> </ul> <p><b>IMPORTANT:</b> Multiple resets within a short time will cause module to time out if a component overheats (<b>EF</b> error code). See <i>Control Panel Error Codes</i> on page 21 and <i>Troubleshooting</i> on page 23.</p>	<ol style="list-style-type: none"> <li>1. Determine the error code cause and correction. See <i>Control Panel Error Codes</i> on page 21.</li> </ol> <p>When error code is resolved:</p> <ol style="list-style-type: none"> <li>2. Press ON / OFF button to clear error code.</li> <li>3. Press ON / OFF button again to resume spreader operation. If error code persists, contact an Ariens dealer.</li> </ol>

## CONTROL PANEL SETUP CODES

Code	Definition	Procedure
<b>Cb</b>	Calibrate empty hopper ( <b>EH</b> ) setting. See <i>Calibrate Empty Hopper Setting (Cb and EH Codes)</i> on page 14.	With control panel on, press and hold left control knob until <b>Cb</b> code displays. Calibration cycle is automatic.
<b>Cc</b>	Clear calibration data for empty hopper setting. (Clear <b>EH</b> code). See <i>Clearing Empty Hopper Calibration Data (Cc Code)</i> on page 14.	Press left control knob to clear all calibration data during calibration cycle.
<b>LS</b>	Set LED brightness level. See <i>Adjust LED Brightness Level (SL and LS Codes)</i> on page 14.	With control panel in ready mode, press and hold left control knob until <b>LS</b> code displays. Release knob and turn left control knob to desired brightness setting.
<b>SL</b>	Confirms LED brightness level reset. See <i>Adjust LED Brightness Level (SL and LS Codes)</i> on page 14.	Wait for <b>SL</b> code to display.

## CONTROL PANEL INFORMATION CODES

Code	Definition	Response
<b>dU</b>	Dump mode. Trough is lowered to empty material.	Raise trough and secure with locking pins.
<b>EH</b>	Empty hopper mode (beep will sound).	Check hopper for material. Recalibrate empty hopper setting for <b>Cb</b> code. See <i>Calibrate Empty Hopper Setting (Cb and EH Codes)</i> on page 14.
<b>Lb</b>	Low battery. Spreader module is sensing <10V. ( <b>Lb</b> becomes error code when spreader module senses $\leq 6V$ ).	See <i>Control Panel Error Codes</i> on page 21.

## CONTROL PANEL ERROR CODES

Code	Problem	Probable Cause	Correction
<b>bb</b>	Button is not functioning.	Button is stuck.	Inspect control panel and free up button.
		Button was pressed while tractor ignition was entering power mode.	Do not press spreader control panel buttons when tractor ignition is engaged.
		Possible harness issue.	Check connections and integrity of vehicle harness.
<b>bH</b>	Hopper is not functioning.	Possible spreader module or control panel mismatch.	Replace control panel or spreader module. Contact an Ariens dealer.
<b>CE</b>	No communication with spreader module.	Loose connection.	Confirm spreader and control harnesses are connected to tractor harness.
		Spreader module lost power.	Check power to spreader module, all connections, fuses and power studs. Check that port B is plugged into the spreader module.
<b>CF</b>	Control panel malfunction.	Control panel is overheating or a combination of faults.	Inspect connections at spreader module, hopper drive motor and auger drive motor.
<b>CP</b>	Not applicable to this spreader. See suggested correction.	Not applicable to this spreader.	Reset the control panel by pressing the ON / OFF button. If <b>CP</b> code persists, contact an Ariens dealer.
<b>Ct</b>	Control panel is hot.	Control panel temperature is too high or overheated.	Turn spreader off and allow control panel to cool.
<b>EF</b>	Excessive drive faults.	Too many <b>OH</b> and / or <b>SO</b> error codes. See <b>OH</b> on page 21 and see <b>SO</b> on page 22.	Control panel times out for 60 seconds. Ensure auger is not jammed.
		Spreader module overheating.	
<b>Lb</b>	Low battery. Spreader module is sensing $\leq 6V$ .	Bad connection or low battery.	Check battery, alternator and connections.
		Other tractor attachment or power use may be drawing down voltage.	Spreader module may have cable voltage loss.
<b>nC</b>	No connection.	Spreader not connected.	Connect tractor and spreader harness.
			Check tractor harness fuse.
			Inspect spreader and vehicle harnesses.
			Check spreader module.
<b>OH</b>	Overheating.	Spreader module overheated.	Turn spreader off and allow it to cool for 60 seconds or longer.
		Spreader module malfunction.	Check for loose harness connections.
		Accessories wiring / function problem.	Check accessory connections. Check integrity of accessory wiring and harness.
		Drive motor overload.	Check for and clear jammed material.

## CONTROL PANEL ERROR CODES

Code	Problem	Probable Cause	Correction
<b>OH.</b>	Overheating spreader module (microprocessor).	Spreader module is too hot.	Turn spreader off and allow it to cool for 60 seconds or longer.
		Spreader module malfunction.	Check for loose harness connections.
		Accessories wiring / function problem.	Check accessory connections. Check integrity of accessory wiring and harness.
		Drive motor overload.	Check for and clear jammed material.
<b>rS</b>	Reset of spreader control panel.	Power loss to spreader control panel detected on startup.	Press ON / OFF button to reset control panel. Check vehicle harness and battery connection.
<b>SO</b>	Auger drive overload (software trip).	Material jam in auger area.	Inspect auger and auger drive components for alignment and condition. Check for damage to bearings, shafts and sprockets. Adjust and replace parts as needed.
<b>SO.</b>	Auger drive overload (hardware trip).		
<b>SP</b>	Auger power issue / no motor present.	Auger drive motor is not connected.	Check SPIN and GND connections to motor on spreader module.
		Possible motor defect.	Replace motor.



## TROUBLESHOOTING

Problem	Probable Cause	Correction
<b>IMPORTANT:</b> Disconnect accessory harness from spreader harness before performing any of the following repairs.		
<b>No power to control panel with tractor ignition in the on position.</b>	Control panel is in standby mode. Spreader is not connected.	Press any button on control panel to wake.
	Control panel connector plug is loose.	Check plug connection at control panel.
	Switched accessory connection is poor or faulty battery.	Check for low battery.
		Check switched accessory connection.
	Blown fuse.	Replace tractor battery cable fuse.
Vehicle control harness is damaged.	Repair or replace damaged wires or harness as required.	
<b>Control panel shuts down.</b>	Control panel error code displays.	Reset control panel by pressing ON / OFF button. See <i>Control Panel Error Codes</i> on page 21.
	Poor electrical conditions.	Clean or replace connectors. Apply dielectric grease.
	Electrical short.	Check electrical connections.
<b>Control knob does not change motor speed.</b>	Malfunctioning control panel.	Replace control panel.
	Malfunctioning motor.	Replace motor.
	Malfunctioning spreader module.	Replace spreader module.
<b>Spreader does not operate.</b>	Wire harness is damaged or has an open circuit between control panel and spreader.	Check plug connections at control panel and spreader. Check wire connections at vehicle battery and fuse. Check motor connections.
	Overloaded condition has triggered a time-out, or damaged motor or module.	Wait 60 seconds for time-out to expire. Check motor and repair or replace. Replace module.
<b>Motor does not run.</b>	Electrical connections are loose.	Open access cover and check motor, harness and module connections.
	Blown fuse.	Replace tractor battery cable fuse.
	Motor seizes.	Replace motor.
<b>Material does not flow.</b>	Obstruction in hopper.	Clear obstruction.
	Material bridged.	Clear bridged material.
	Material is wet.	Replace with dry material.
	Material is coarse or frozen.	Replace material.
<b>Error code <i>dU</i> displayed with trough in raised position.</b>	Safety switch is out of alignment.	Adjust safety switch position to ensure it closes when trough is raised. See <i>Adjust Safety Switch</i> on page 18.
	Electrical connections are loose.	Check accessory tap harness and safety switch connections.
	Safety switch is faulty.	Replace safety switch.

## SPECIFICATIONS

<b>Model Number</b>	<b>851006</b>
<b>Description</b>	Salt Spreader Attachment
<b>Size and Weight (Includes Receiver Mount)</b>	
Length – cm (in)	113.7 (44.8)
Height – cm (in)	75.1 (29.6)
Width – cm (in)	98.8 (38.9)
Weight – kg (lb)	
• Empty	86.7 (191.2)
• Full	158.8 (350.0)
Material Capacity – m <sup>3</sup> (cu. ft.)	0.1 (2.0)



# ARIENS®

## Outdoor Power Equipment Limited Warranty

AriensCo warrants to the **original purchaser** that Ariens brand products purchased on or after 1/1/2021 will be free from defects in material and workmanship for the time period noted in the chart below. Equipment put to personal use around a single household or residence is considered "Residential Use." Equipment put to any business use (agricultural, commercial, or industrial) or used at multiple locations is considered "Commercial Use." If any product is rented or leased, then the duration of these warranties shall be 90 days after the date of purchase.

An authorized Ariens dealer will repair any defect in material or workmanship, and repair or replace any defective part, subject to the conditions, limitations and exclusions set forth herein. Such repair or replacement will be free of charge (labor and parts) to the original purchaser; except as noted below. Pick-up and delivery are at the owner's expense.

The warranty code is found on the model and serial number identification label on the unit.

Warranty Code	Product Group	Warranty Period
AA	Serialized Attachments	1 Year.
CH	Zenith Mowers (Non-European Models)	4 Years or 750 Hours.*
CQ	Zenith Mowers (European Models)	2 Years.
HD	LM-Series Walk-Behind Mowers	3 Years Residential Use. 90 Days Commercial Use.
HE	Edge Mowers	2 Years or 150 Hours.*
HF	Ikon-XD Mowers	3 Years or 300 Hours.*
HH	Apex Mowers	4 Years or 500 Hours.*
PA	921-Series Brushes	3 Years Residential Use. 90 Days Commercial Use.
PB	926-Series Brushes	3 Years Residential Use. 1 Year Commercial Use.
SA	Professional Sno-Thro	3 Years Residential Use. 1 Year Commercial Use.
SB	Compact, Deluxe and Platinum Sno-Thro and Path-Pro	3 Years Residential Use. 90 Days Commercial Use.
SC	S18	2 Years Residential Use. 90 Days Commercial Use.
SD	Deluxe and Platinum EFI Sno-Thro	3 Years Residential Use. 90 Days Commercial Use.
SE	920-Series Classic Sno-Thro, Crossover	3 Years Residential Use. 90 Days Commercial Use.
SF	Mammoth Tractor	2 Years or 500 Hours.*

\* Whichever comes first.

### Special Extensions

The chart below details special **extensions** to warranty terms. Warranty terms are total time periods covered. If any product is rented or leased, there are no extensions to the 90-day warranty.

Warranty Code	Warranty Term Extension	Warranty Period
SA	Cast Iron Auger Gear Case	5 Years.
SB, SD	Cast Iron Auger Gear Case	5 Years Residential Use. 1 Year Commercial Use.

## Exclusions and Limitations

The charts below detail special **exclusions and limitations** to this warranty.

Warranty Term Exclusions	Warranty Period
Air filters, auger paddles, brake arms, brake linings, brake shoes, brushes, cutters, fuel filters, halogen headlights, knives, halogen light bulbs, lubricants, mower blades, oil, oil filters, spark plugs, scraper blades, shear bolts and skid shoes.	Components are not covered under warranty.

Hydro-Gear Transaxle Limitation
See Hydro-Gear warranty. The warranty is administrated by AriensCo. Refer to <a href="http://www.ariens.com">www.ariens.com</a> for warranty statement.

Warranty Term Limitations	Warranty Period
Cloth, Plastic and Rubber Components. Mufflers, Tires and Belts.	Components are covered for manufacturer's defect only, not wear.
Parker Actuators	1 Year.

### Exclusions – Items Not Covered by This Warranty

- Parts that are not genuine Ariens service parts are not covered by this warranty and may void the warranty if the parts result in premature wear or damage to the product.
- Damages resulting from the installation or use of any part, accessory, or attachment which is not approved by AriensCo for use with product(s) identified herein are not covered by this warranty.
- Any misuse, alteration, improper assembly, improper adjustment, neglect, or accident which requires repair is not covered by this warranty.
- Repairs or adjustments required due to failure to use fresh fuel or failure to properly prepare the unit for periods of non-use.
- **Use of gasoline blends exceeding 10% ethanol voids any and all warranties.**
- **Any tampering with the hour meter voids any and all warranties.**
- Products are designed to the specifications in the area that the product was originally distributed. Different areas may have significantly different legal and design requirements. This warranty is limited to the requirements in the area in which the unit was originally distributed. AriensCo does not warrant this product to the requirements of any other area. Warranty service is limited to service within the area originally distributed.
- In countries other than the United States and Canada, contact the AriensCo dealer for warranty policies that govern within your country. Rights may vary from country to country and within any one country.

### Evaporative Emissions Control Warranty Exception

As required by the California Air Resources Board (CARB) and the US Environmental Protection Agency (EPA) the evaporative emissions control system is warranted to the ultimate purchaser, and any subsequent owner, for two years.

The CARB and EPA evaporative emissions control system warranty is described in a separate evaporative emission control warranty statement.

### Battery Warranty

Battery warranty is one year. Units used for rental or lease have no exceptions to the 90-day warranty. Total battery claim reimbursement will not exceed 45.00 USD.

## Engines

The chart below details engine warranty information. Engine warranty terms may vary from the specific terms of this warranty. If inconsistent, the terms of the engine warranty shall apply to the engine and its component parts.

Engine Manufacturer	Detail
Ariens AX	Ariens-branded engines are warranted by the manufacturer and the warranty is administrated by AriensCo. Refer to the engine manual or <a href="http://www.ariens.com">www.ariens.com</a> for warranty statements.
Briggs & Stratton, Kawasaki, Kohler	Covered by the engine manufacturer's warranty. Refer to the engine manufacturer's warranty statements.

## Parts and Accessories

Service replacement parts and non-serialized accessories are warranted for 90 days from date of purchase. Labor is not included.

## Customer Responsibilities

**Register the product immediately at the time of sale.** If the dealer does not register the product, the customer must register the unit on-line at [www.ariens.com](http://www.ariens.com).

To obtain warranty service, the **original purchaser** must:

- Ensure that the maintenance and adjustments explained in the Operator's Manual are routinely completed.
- Promptly notify AriensCo or an authorized Ariens service representative of the need for warranty service.
- Transport the product to and from the place of warranty service at owner's expense.
- Have the warranty service performed by an authorized Ariens service representative.

To find an authorized dealer use the dealer locator on our websites, or contact us by mail or phone.

Globally (Except Australia or New Zealand):	Australia:	New Zealand:
AriensCo 655 W. Ryan Street Brillion, WI 54110 Phone: (920) 756 - 4688 <a href="http://www.ariensco.com">www.ariensco.com</a>	Masport Australia Pty Ltd 27 Commercial Drive Dandenong South Victoria 3175 Australia Phone: 1300 366 225 <a href="http://www.masport.com.au">www.masport.com.au</a>	Masport Ltd 320 Ti Rakau Drive East Tamaki Auckland 2013 New Zealand Phone: 0800 627 7678 <a href="http://www.masport.co.nz">www.masport.co.nz</a>

## ***Disclaimer***

AriensCo may from time to time change the design of its products. Nothing contained in this warranty shall be construed as obligating the AriensCo to incorporate such design changes into previously manufactured products, nor shall such changes be construed as an admission that previous designs were defective.

## ***Limitation of Remedy and Damages***

AriensCo liability under this warranty, and under any implied warranty that may exist, is limited to repair of any defect in workmanship, and repair or replacement of any defective part. AriensCo shall not be liable for incidental, special, or consequential damages (including lost profits). Some states do not allow the exclusion of incidental or consequential damages, so the above limitation or exclusion may not apply to you.

AriensCo shall not be held liable for damages, including premature wear and tear, or injuries caused by installation of unauthorized parts and accessories or for parts and accessories not installed by an authorized Ariens dealer.

## ***Australian Consumer Law***

The following applies solely to warranties subject to Subsection 102(1) of the Australian Consumer Law: Our goods come with guarantees that cannot be excluded by the Australian Consumer Law. You are entitled to a replacement or refund for a major failure and for compensation for any other reasonably foreseeable loss or damage. You are also entitled to have the goods repaired or replaced if the goods fail to be of acceptable quality and failure does not amount to a major failure.

## ***Disclaimer of Further Warranty***

AriensCo makes no warranty, express or implied, other than what is expressly made in this warranty. If the law of your state provides that an implied warranty of merchantability, or an implied warranty of fitness for particular purpose, or any other implied warranty, applies to AriensCo, then any such implied warranty is limited to the duration of this warranty. Some states do not allow limitations on how long an implied warranty lasts, so the above limitation may not apply to you.

*This warranty gives you specific legal rights, and you may also have other rights which vary from region to region.*





**ARIENS**  
— THE KING OF SNOW —

655 West Ryan Street  
Brillion, WI 54110

[www.ariens.com](http://www.ariens.com)



[parts.ariens.com](http://parts.ariens.com)



**WARNING:** Cancer  
and Reproductive Harm -  
[www.P65Warnings.ca.gov](http://www.P65Warnings.ca.gov)

**ARIENS** | CO

