

Installation Instructions

85100600 Salt Spreader Kit



WARNING: FAILURE TO FOLLOW INSTRUCTIONS could result in personal injury and/or damage to unit.

Read, understand, and follow all safety practices in Operator's Manual before beginning.



CAUTION: AVOID INJURY! Before operating, front tractor tires **MUST** be filled with a freeze-resistant non-corrosive ballast to counter the weight of the salt spreader.

Package Contents

Check the contents of your kit for the parts listed below
Also see Figure 1.

Item	Description	Qty	AriensCo P/N
1	Controller Kit a – Hat Bracket & Hardware b – Controller c – Controller Harness d – Accessory Harness	1	09662000
2	Controller Cover	1	09662007
3	Control Mount Bracket	1	09664659
4	J-Clamp	1	06909400
5	5/16"-18 x 1" Hex Bolt	2	05901701
6	1/2"-13 x 1" Hex Bolt	2	05901715
7	1/2"-13 x 1 1/2" Hex Bolt	3	05901631
8	1/2"-13 Nylon Flange Nut	5	06500810
9	Lower Mount Weldment	1	09661859
10	Upper Mount Weldment	1	09661959
11	Main Mount Weldment	1	09661759
12	3/8"-16 Nylon Flange Nut	4	06500726
13	3/8"-16 x 1" Hex Bolt	4	07001823
14	Pivot Bushing	2	09661701
15	Cotter Hair Pin	2	09662004
16	Salt Spreader Assembly	1	09662001
17	Hitch Pin	2	09664701
18	1/4" Lynch Pin	2	06700226
19	12" Cable Tie	3	04003800
20	1/4" Male Spade Terminal	1	09666300
21	Plastic Pivot Bushing	2	09662006
22	Locking Plate	2	09666259
23	1/4"-20 x 5/8" Hex Bolt	4	05901722
24	1/4"-20 Locking Center Flange Nut	4	06500821
25	15 1/4" Tie Wrap	1	04003500

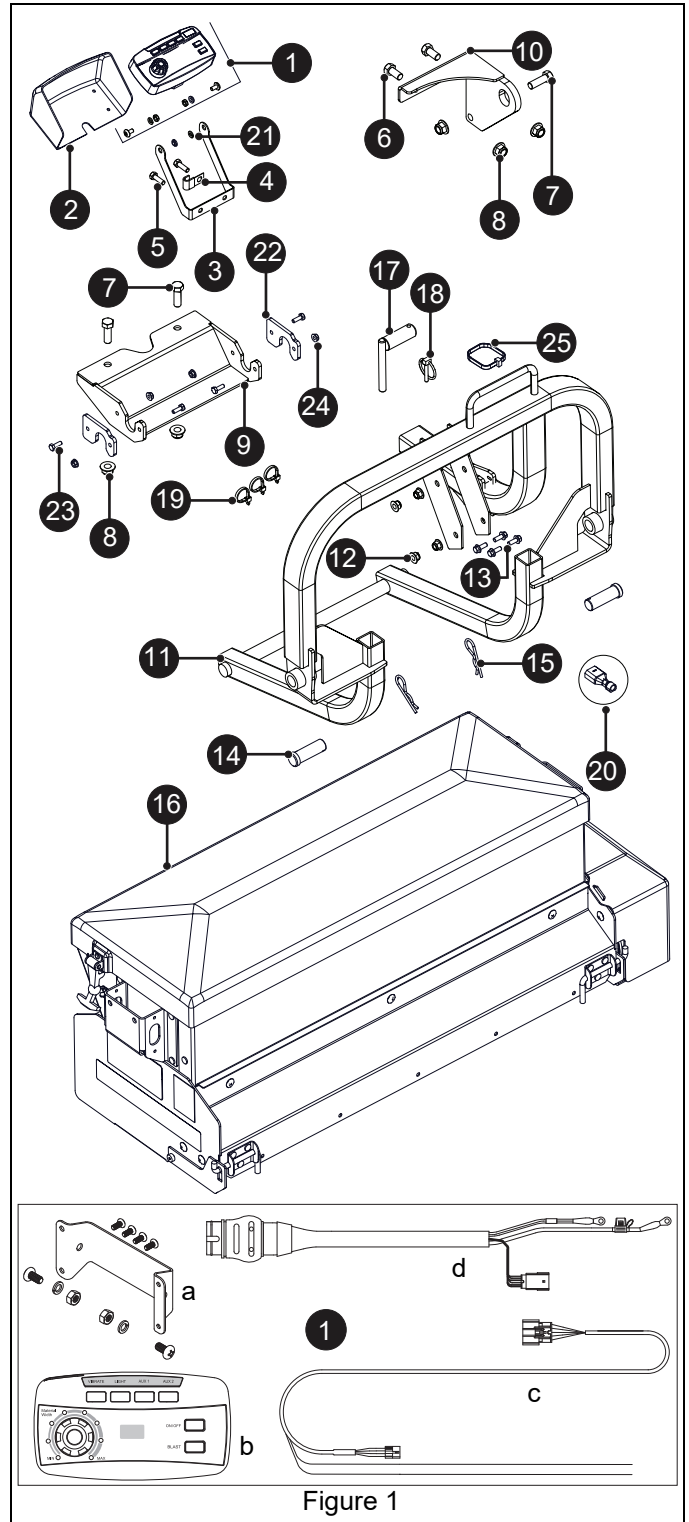


Figure 1

INSTALLATION

1. Park unit on a flat level surface and engage parking brake.
2. Stop engine, remove key and wait for moving parts to stop and for hot parts to cool.
3. Disconnect spark plug wires.

Install Controller Assembly

1. Install two plastic pivot bushings (item 21) into control mount bracket (item 3). See Figure 4.

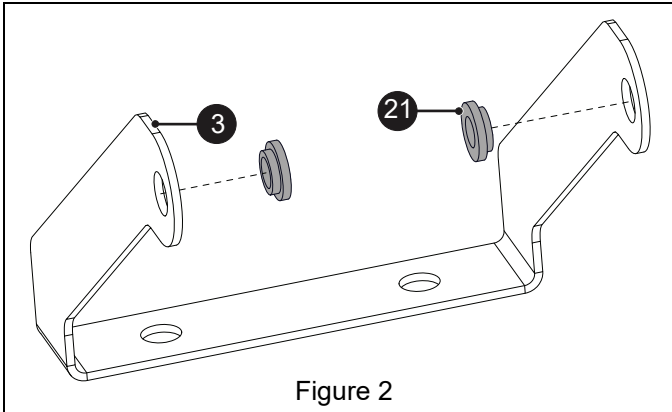


Figure 2

2. Locate four #8 x 3/8" pan head machine screws and stainless steel hat bracket (item 1a) in the controller kit (item 1). Position the controller cover (item 2) and hat bracket (item 1a) on the controller (item 1b) and secure with four pan head screws (item 1a). See Figure 4.

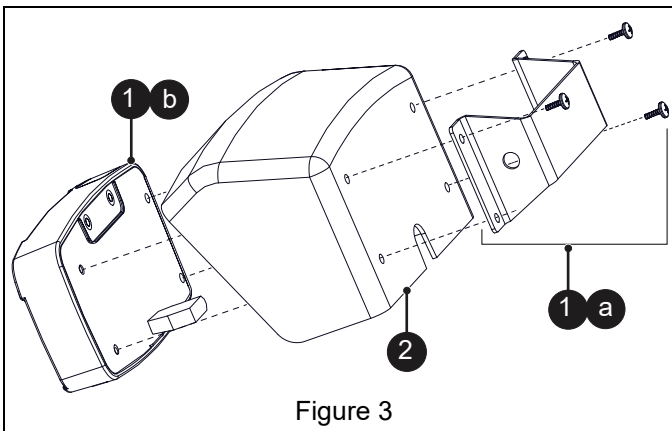


Figure 3

3. Locate two 1/4" machine screws, two lock washers and two 1/4" hex nuts in the controller kit (item 1a). Attach controller to mount bracket with hardware.

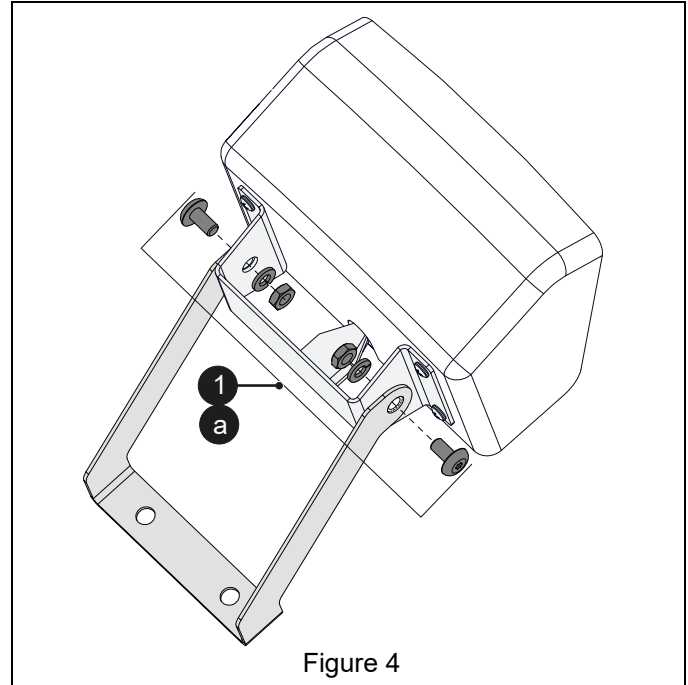


Figure 4

4. Position controller assembly at front left of control panel and j-clamp (item 4) on inside mounting hole. Attach bracket and j-clamp with two 5/16" x 1" hex bolts (item 5). See Figure 5.

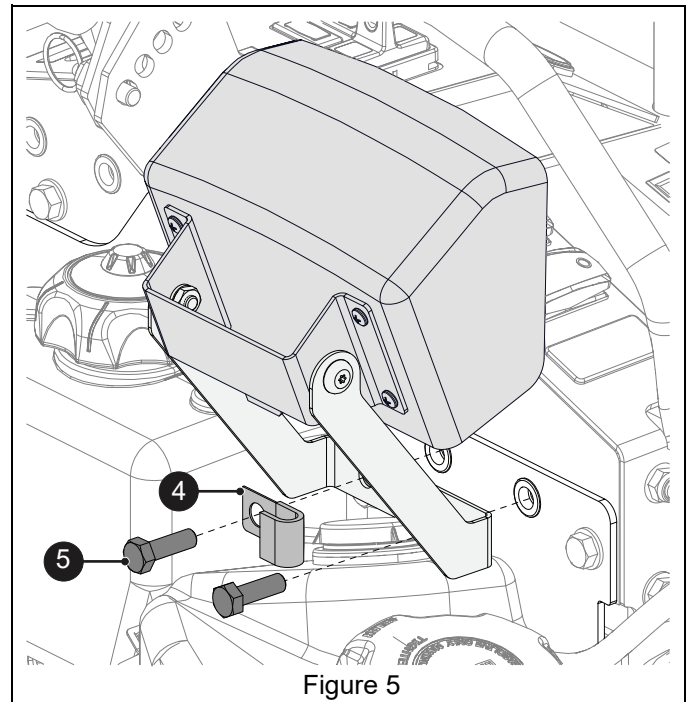
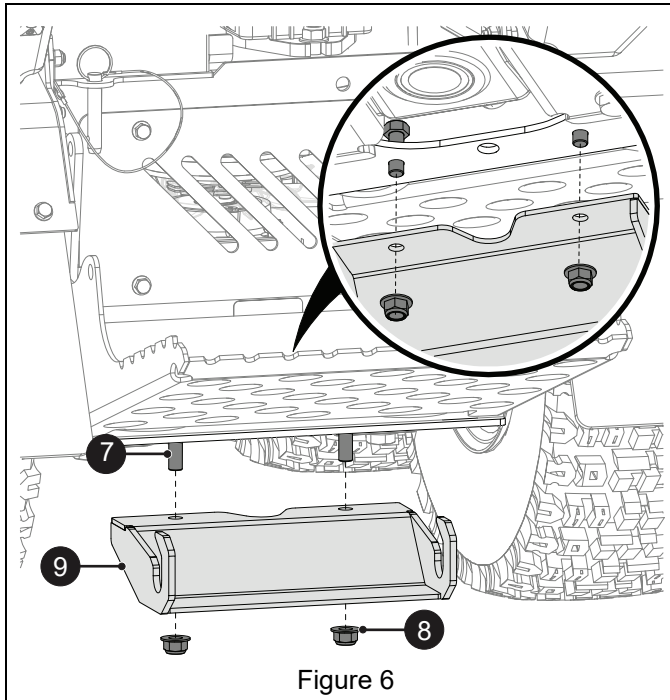


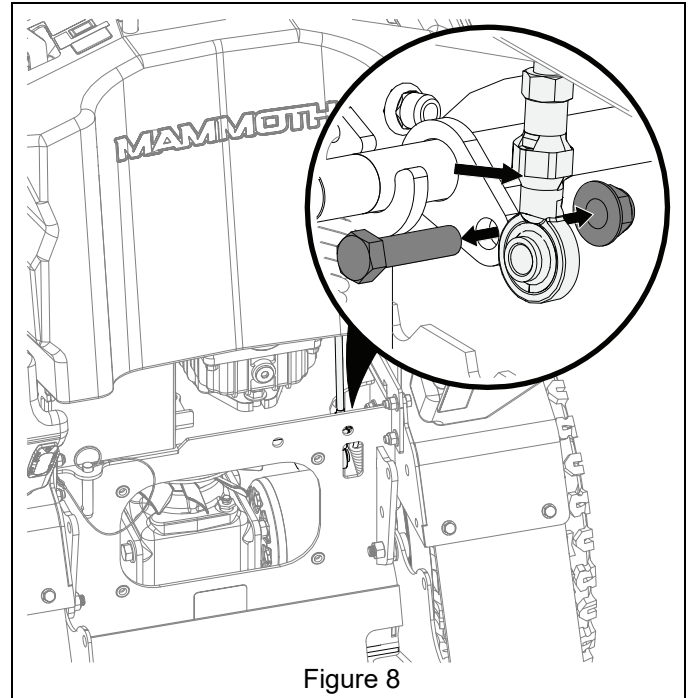
Figure 5

Install Lower Mount

1. Position lower mount (item 9) under frame and secure with two 1/2" x 1 1/2" hex bolts (item 7) and two 1/2" nylon flange nuts (item 8). See Figure 6.

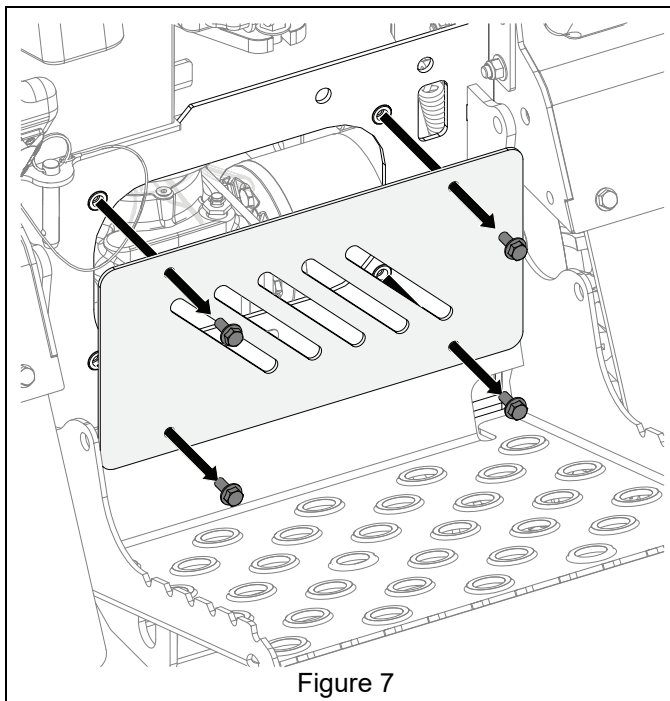


2. Chock front wheels and release parking brake.
3. Remove and retain hex bolt securing parking brake rod assembly to brake shaft. DO NOT loosen jam nut on rod end. See Figure 8.

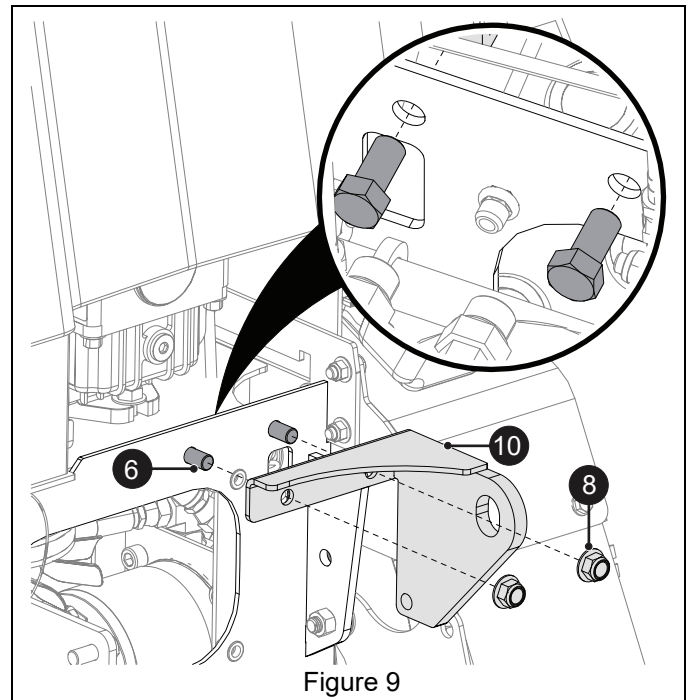


Install Upper Mount

1. Remove and retain four hex bolts retaining rear access panel and remove and retain panel. See Figure 7.



4. Position upper mount (item 10) on rear frame and retain with two 1/2" x 1" hex bolts (item 6) and two 1/2" nylon flange nuts (item 8). Do not fully tighten hardware. See Figure 9.



5. Chock front wheels and lift unit so rear wheels are off the ground.



WARNING: AVOID INJURY! ALWAYS ensure that jack stands are secure and strong enough to support weight of unit during maintenance.

See Figure 10.

6. Remove and retain five lug nuts securing right rear wheel assembly. Remove and retain wheel assembly.
7. Securely support rear of unit.

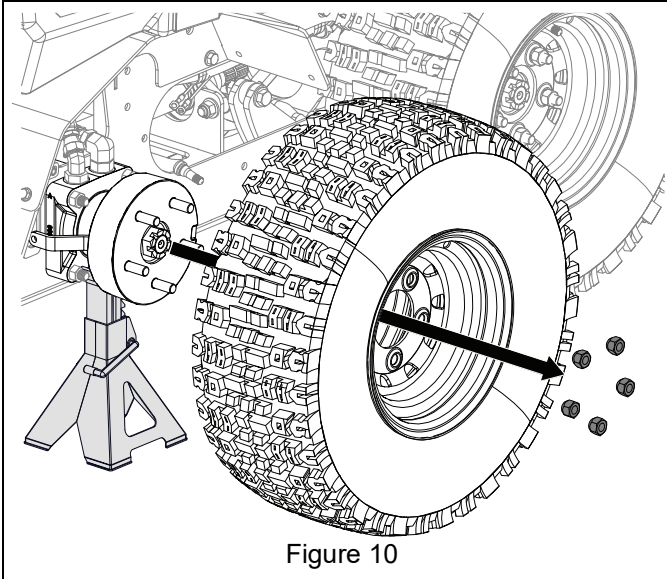


Figure 10

8. Secure side of upper mount with one 1/2" x 1 1/2" hex bolt (item 7) and one 1/2" nylon flange nut (item 8). Tighten all hardware. See Figure 11.

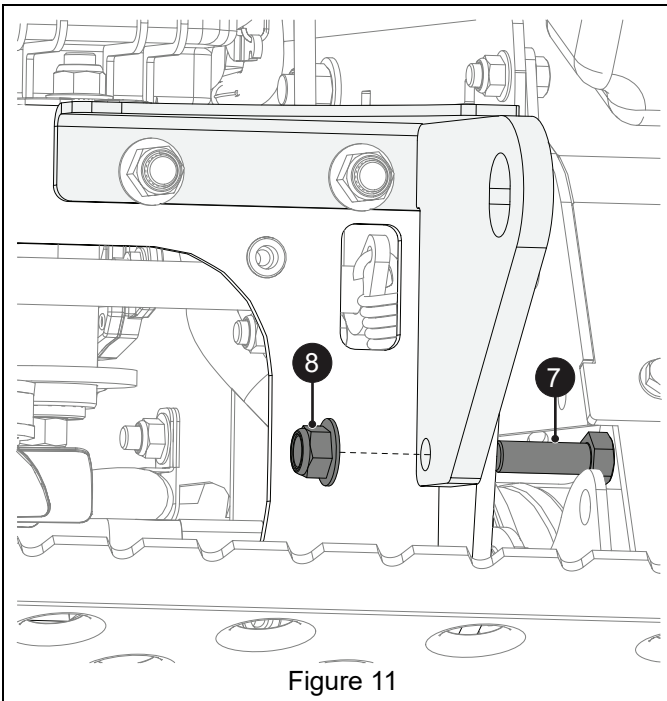


Figure 11

9. Reconnect parking brake rod using hardware removed earlier. See Figure 12.

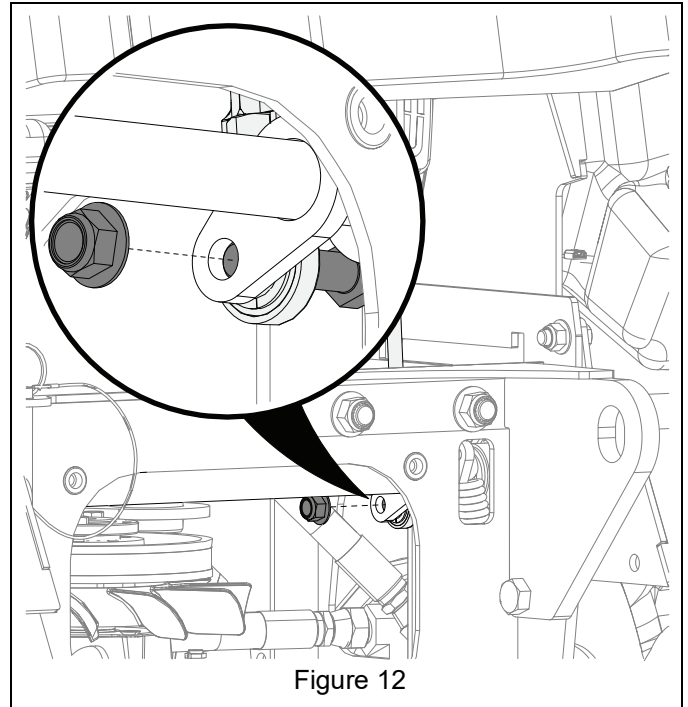


Figure 12

10. Engage parking brake.
11. Reinstall access panel using hardware removed earlier. See Figure 13.

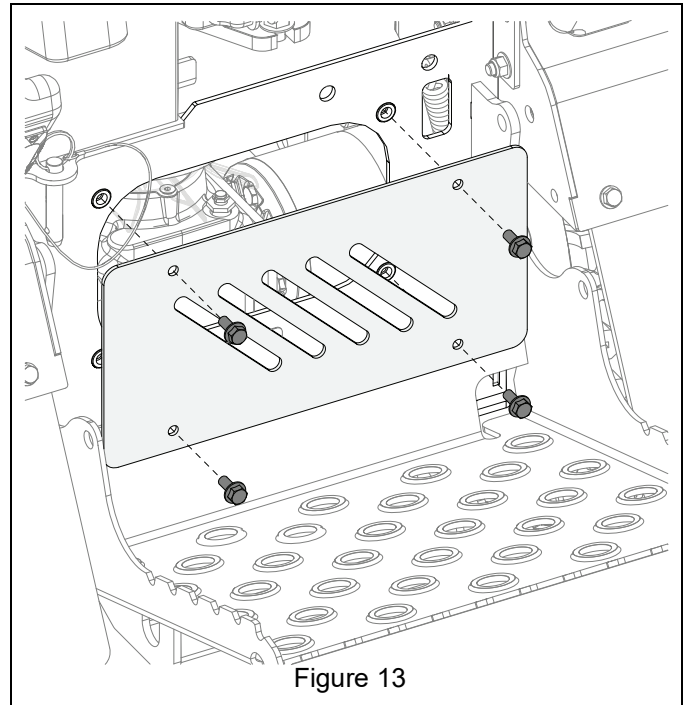


Figure 13

Attach Salt Spreader Assembly to Main Mount

1. Position salt spreader assembly on main mount assembly (item 11) and retain with two pivot bushings (item 14) and two cotter hair pins (item 15). See Figure 14.

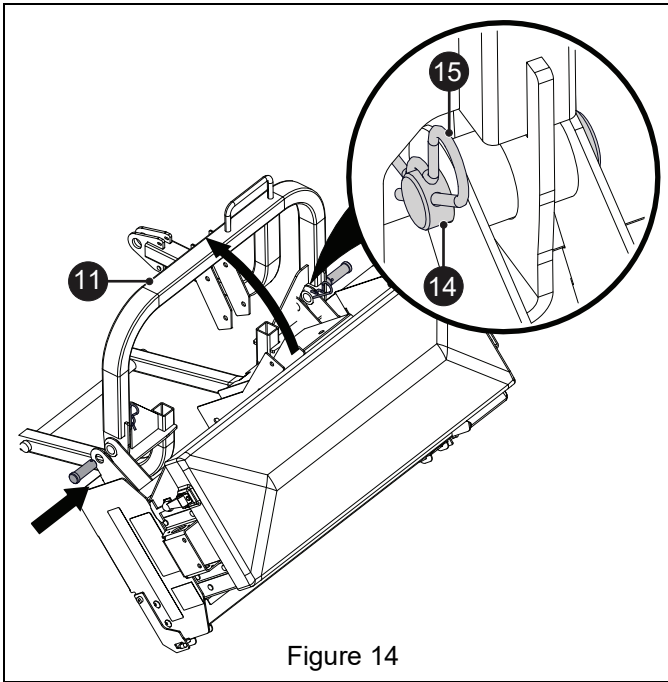


Figure 14

2. Secure salt spreader assembly to main mount assembly with four 3/8" x 1" hex bolts (item 13) and four 3/8" nylon flange nuts (item 12). See Figure 15.

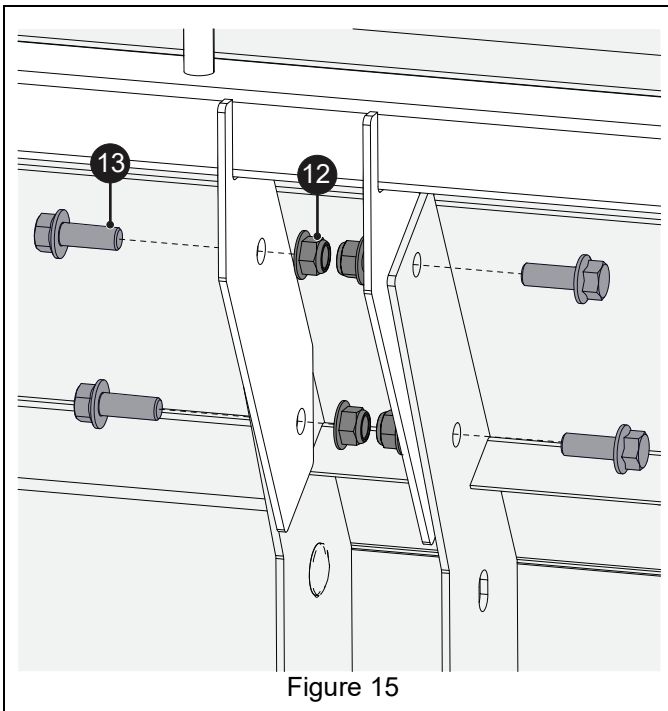


Figure 15

Install Salt Spreader Assembly on Tractor

1. Position main mount front bar on lower mount. Position two locking plates (item 22) on left and right side of lower mount and secure with four 1/4" x 5/8" hex bolts (item 23) and four 1/4" locking center flange nuts (item 24). Two front hex bolts face inward; two rear hex bolts face outward. See Figure 16.

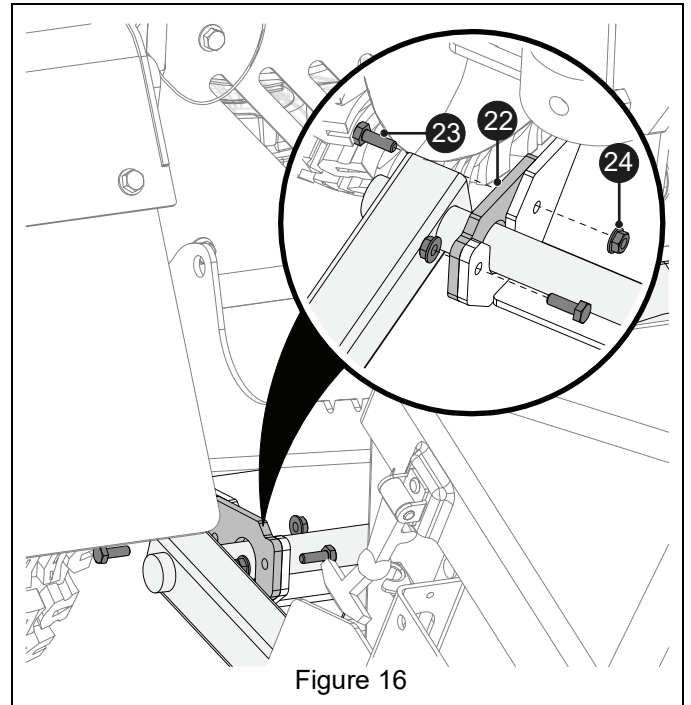
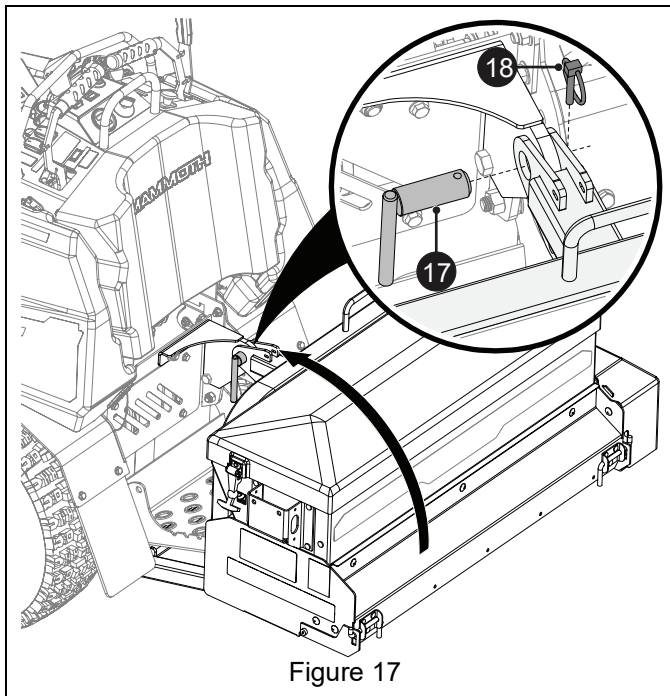


Figure 16

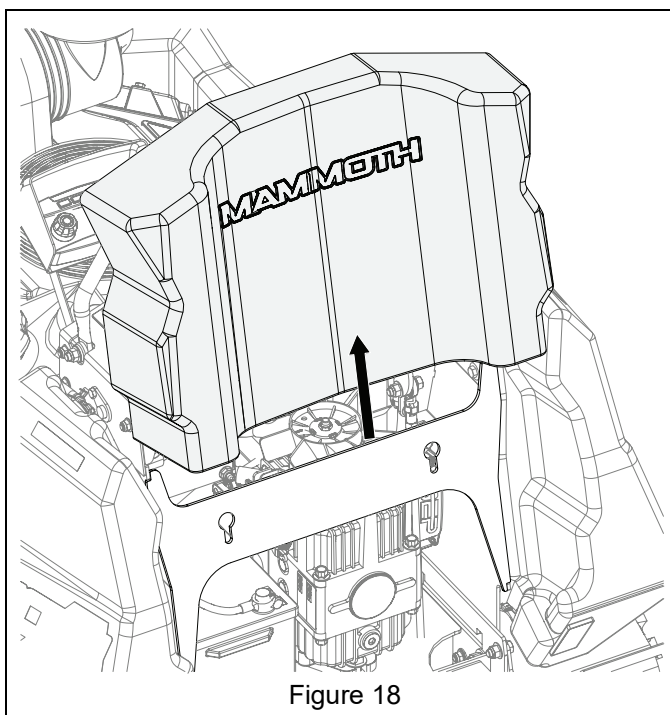
CAUTION: Avoid Injury! Salt spreader assembly is heavy. Use a suitable lifting device or capable assistant to help lift and hold salt spreader in position until hitch pin can be installed.

2. Using suitable lifting device, lift and rotate salt spreader into position and retain with hitch pin (item 17). Lock hitch pin in position with 1/4" lynch pin (item 18). See Figure 17.



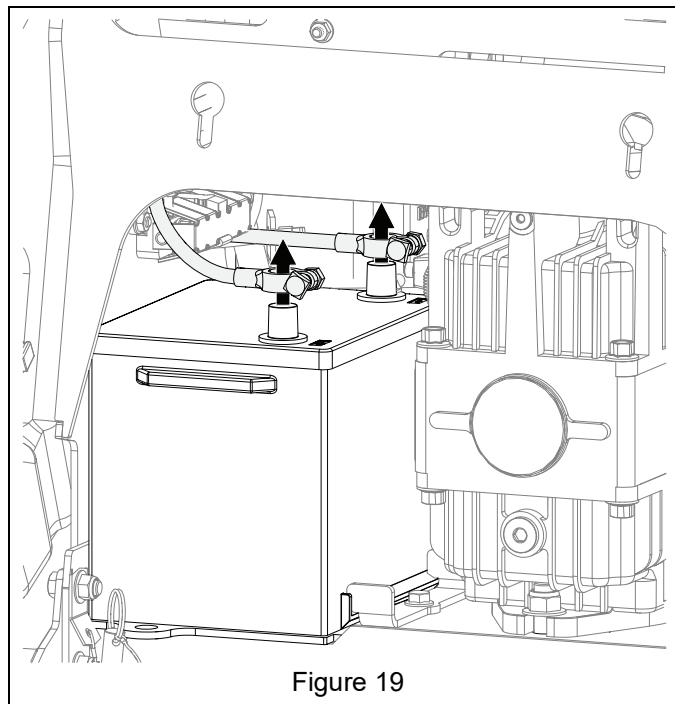
Connect Electrical System

1. Remove and retain access pad. See Figure 18.

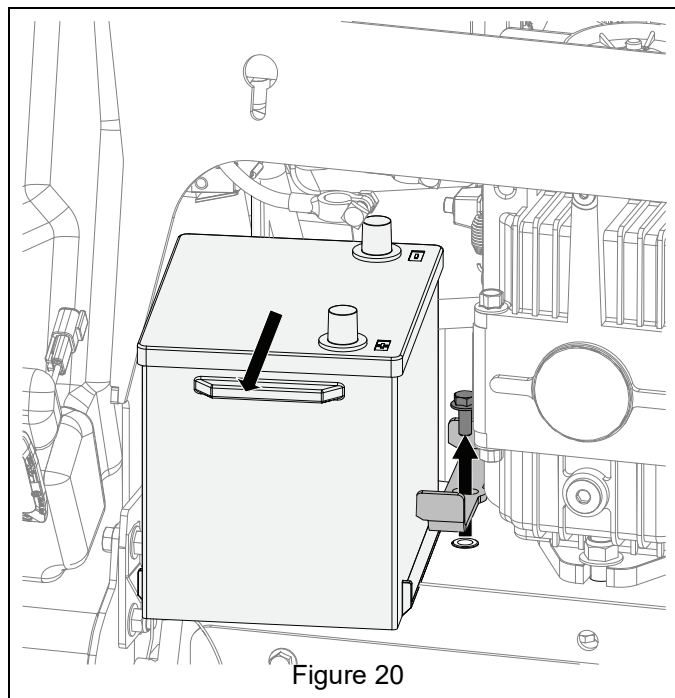


WARNING: AVOID INJURY. DO NOT allow wrenches to contact metal surfaces when working on the positive cable.

2. Disconnect negative (black) cable and then positive (red) battery cable. See Figure 19.



3. Remove and retain hex flange bolt and clamp securing battery and remove and retain clamp and battery. See Figure 20.



4. Remove and retain five hex bolts and flat washers securing brine tank to tractor. Remove and retain brine tank. See Figure 10.

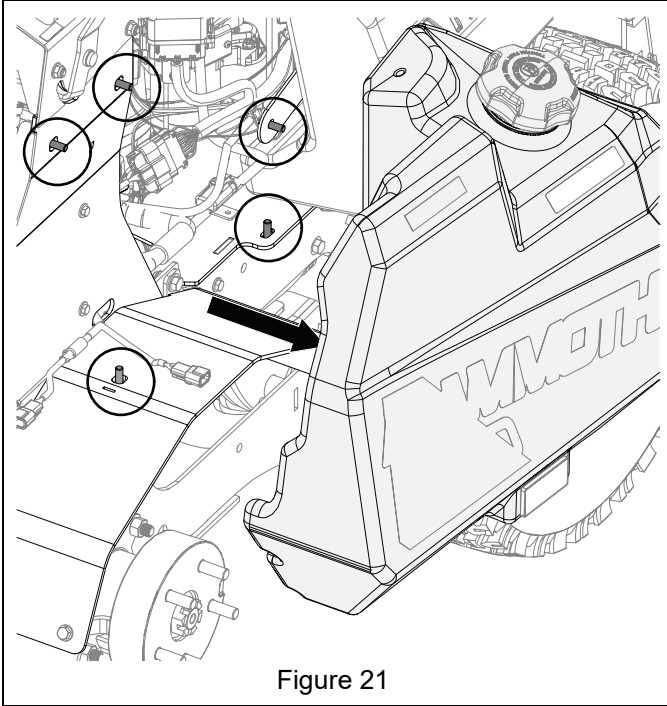


Figure 21

5. Locate controller harness (item 1c) and accessory harness (item 1d) in harness kit. Connect accessory harness to controller harness. See Figure 10.

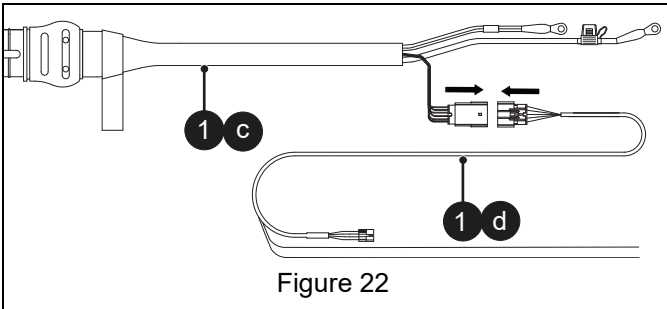


Figure 22

See Figure 23 and Figure 24.

6. Position accessory harness in battery mounting area. Route negative (black) cable between alternator and hydraulic pump and over existing harness to right rear of engine.

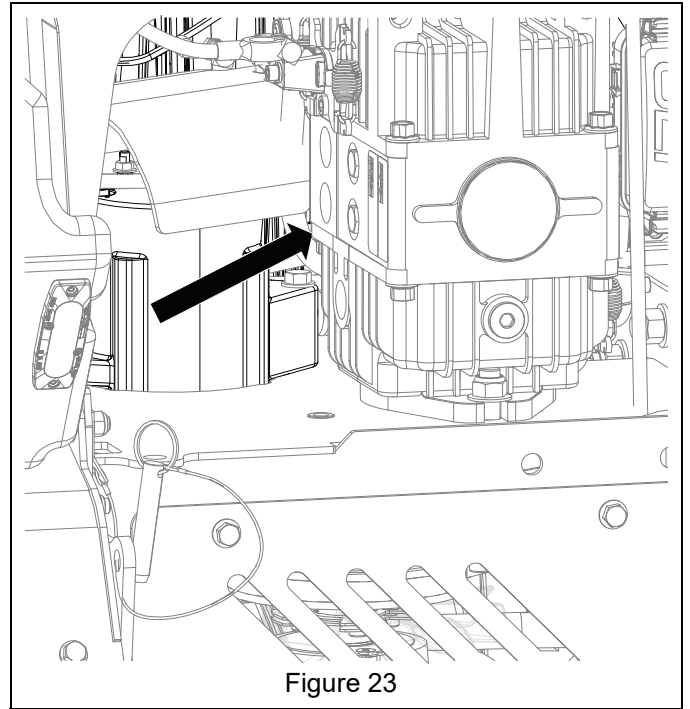


Figure 23

7. Remove fastener, connect black cable to base of engine and reinstall fastener.

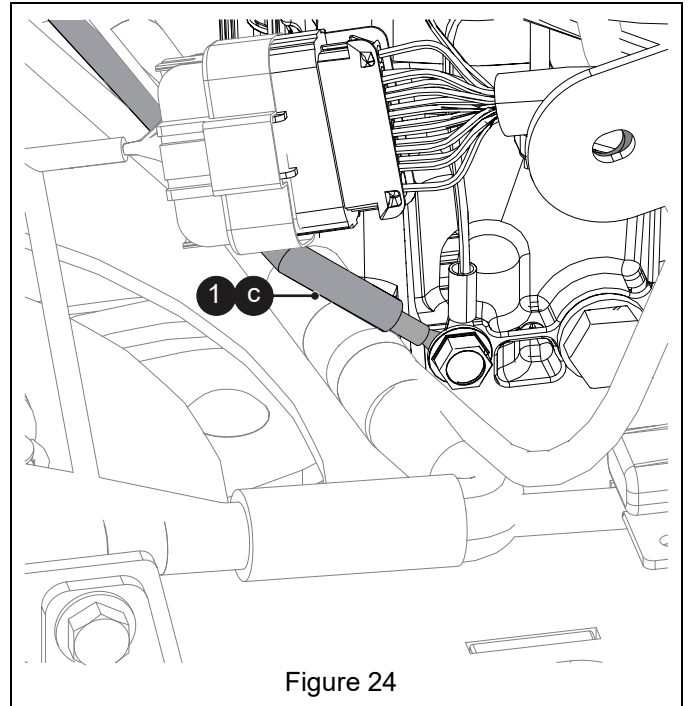


Figure 24

8. Reinstall brine tank.
9. Reinstall right rear wheel and lower unit to the ground.
10. Position accessory harness positive (red) cable at 100-amp fuse block. Remove and retain rear hex nut from fuse block. Secure positive (red) cable to rear bolt (battery +) of fuse block with hex nut just removed. See Figure 25.

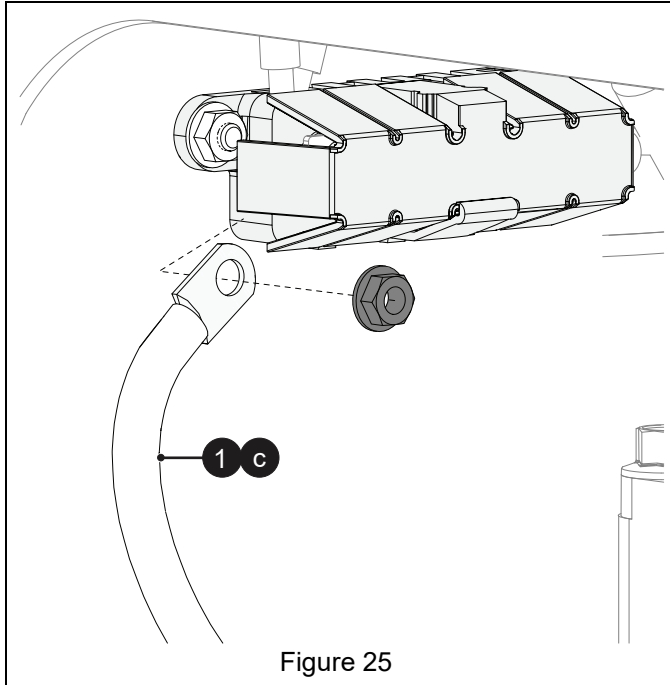


Figure 25

See Figure 26.

11. Locate orange wire on controller harness (item 1d), wrap into a coil and secure with one 12" tie wrap (item 19). Orange wire is not used for installation.
12. Locate red wire on controller harness and cut 61 cm (24") from end.

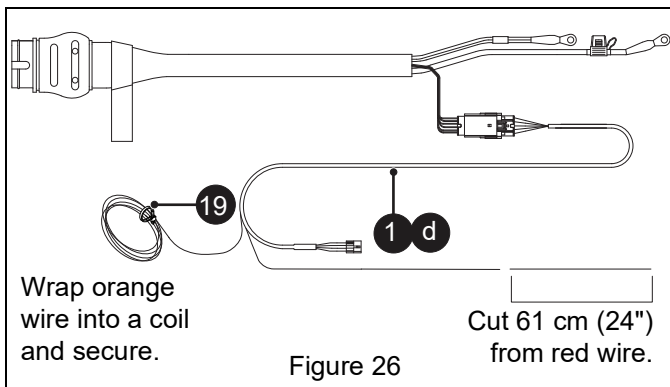


Figure 26

13. Strip approximately 13 mm (1/2") wire coating from red wire. See Figure 27.

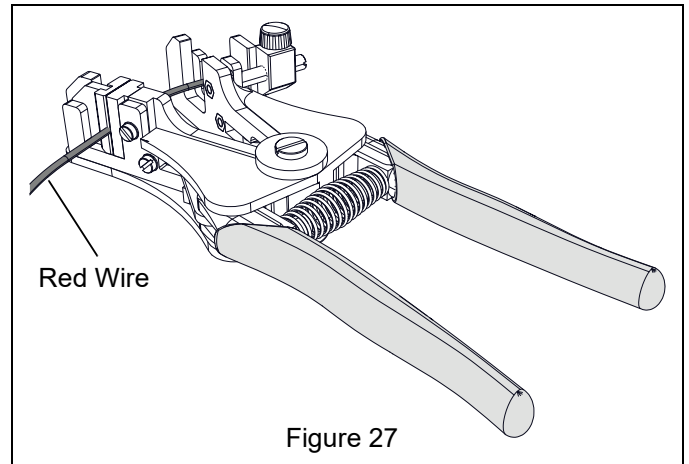


Figure 27

14. Securely crimp 1/4" male spade terminal (item 20) to bare wire. See Figure 28.

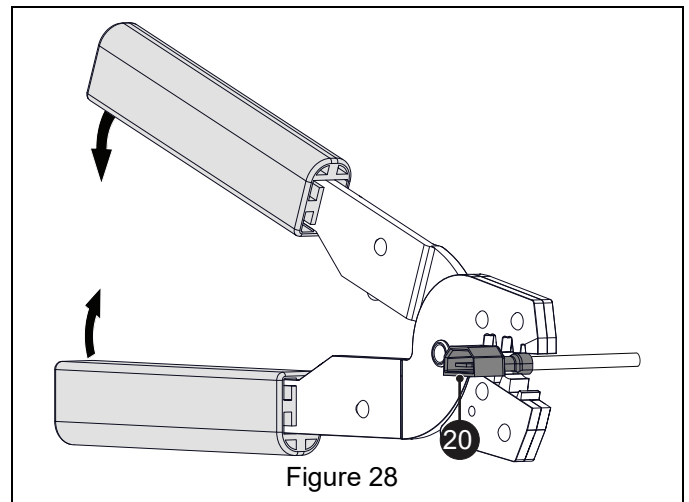


Figure 28

See Figure 29.

15. Locate the wire harness positioned directly in front of the battery mounting location near the alternator.
16. Locate a single wire with female connector extending from main harness. The wire is labeled "#293-N Salt Sig" and has heat-shrink wrap protecting the female connector. Carefully remove the heat-shrink wrap from the connector.

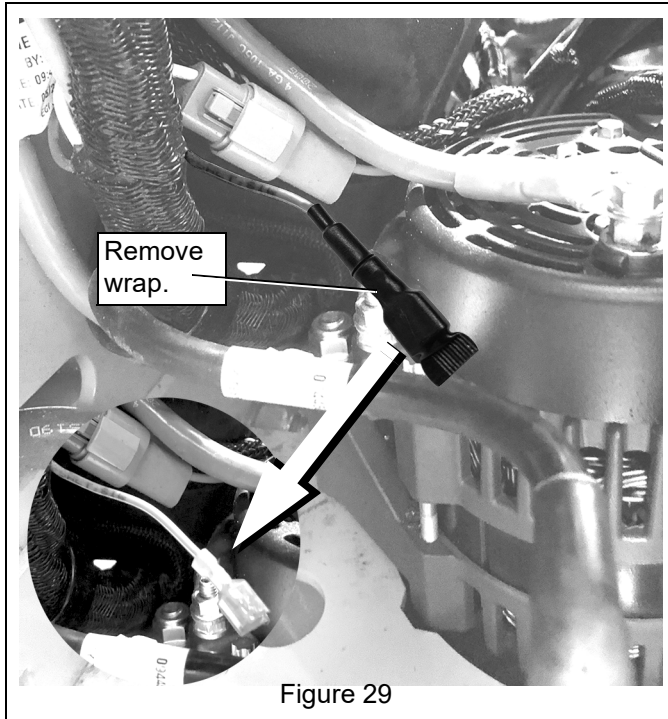


Figure 29

17. Securely insert red wire male connector into the uncovered female connector.

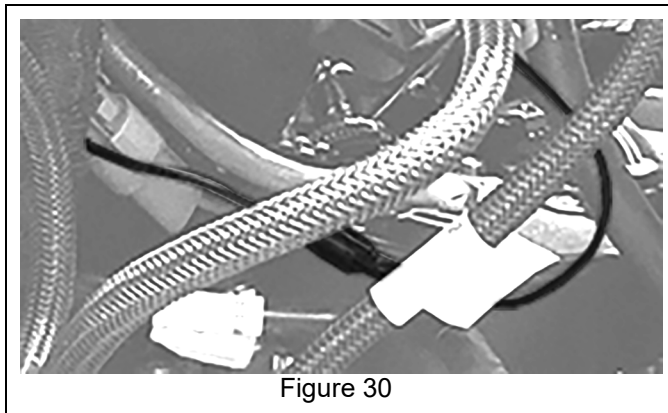


Figure 30

See Figure 31.

18. Route controller harness to front of operator tower and connect to back of controller.
19. Route controller harness through j-hook. Ensure there is sufficient slack in harness to move controller to desired angle and bend j-hook to secure harness.

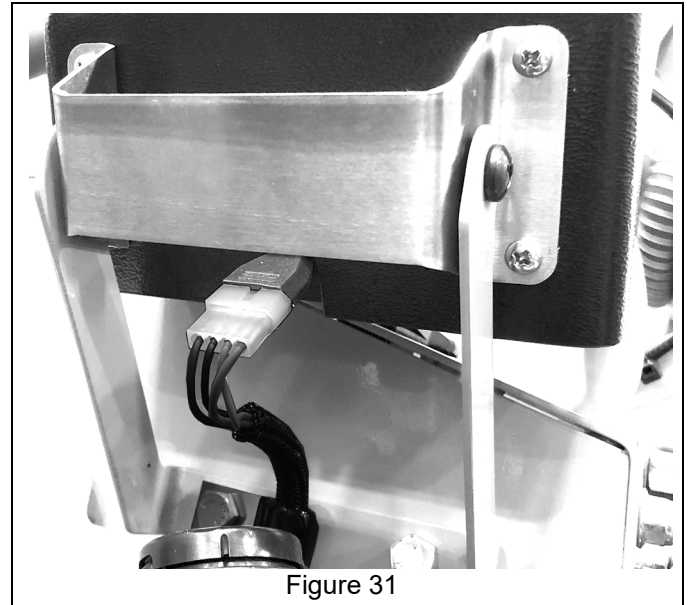


Figure 31

20. Wrap excess controller harness into a small coil and position snugly up under left control panel.
21. Install one 12" tie wrap (item 19) to secure wire coil bundle. Ensure that bundle does not contact any moving parts. See Figure 32.

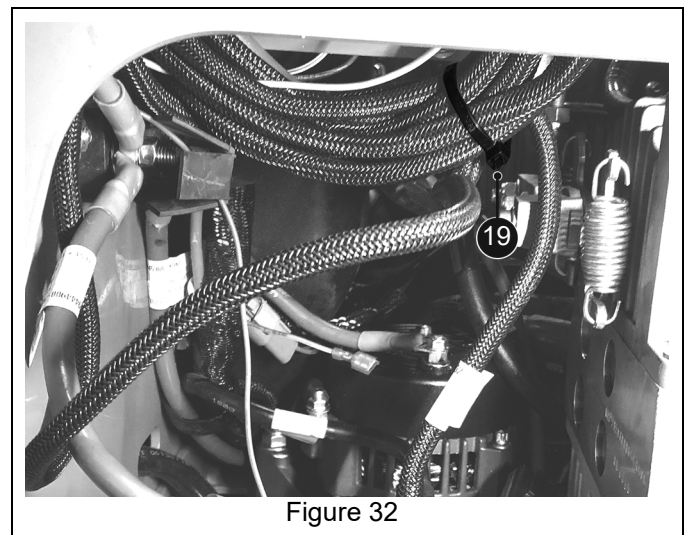
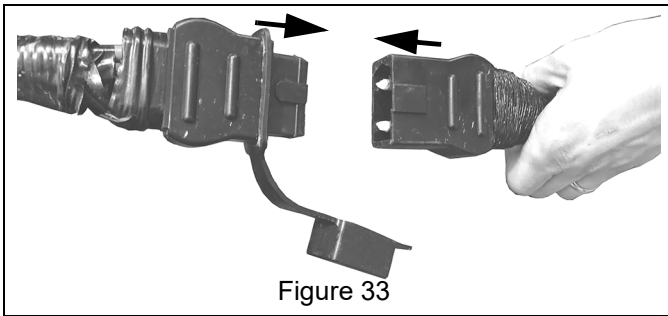


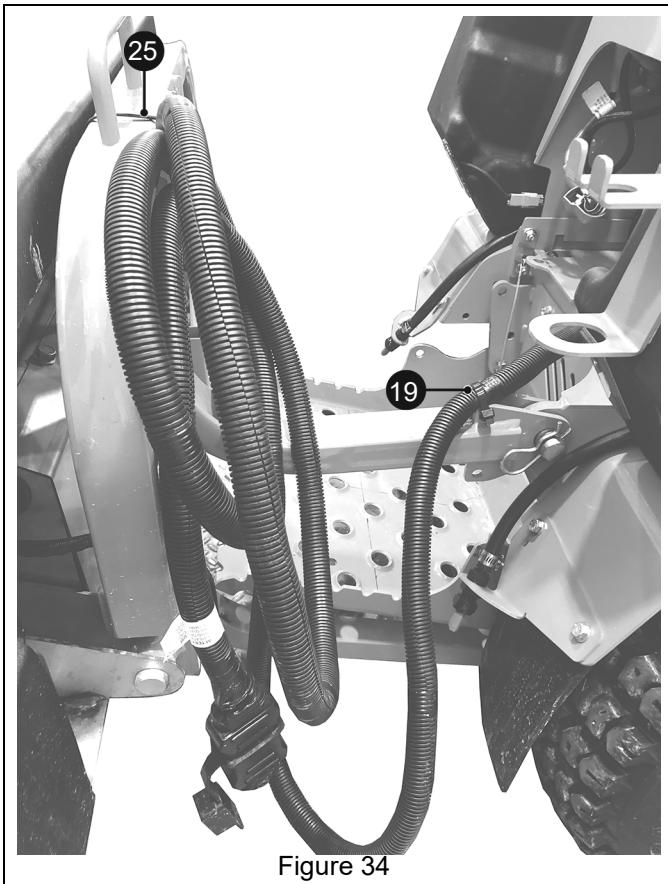
Figure 32

22. Connect accessory harness to spreader motor harness. See Figure 33.



See Figure 34.

23. Route spreader harness along upper arm on main mount. Secure harness to front of main mount with one 12" tie wrap (item 19).
24. Coil remaining accessory harness and secure to main mount with one 15 1/4" cable tie (item 25). Ensure coiled harness is high enough above surface to help prevent it from getting caught on protruding objects



25. Reinstall battery.
26. Replace operator access pad.
27. Turn on ignition key and verify operation. Refer to Salt Spreader Accessory Operator's Manual for safety and operation instructions.